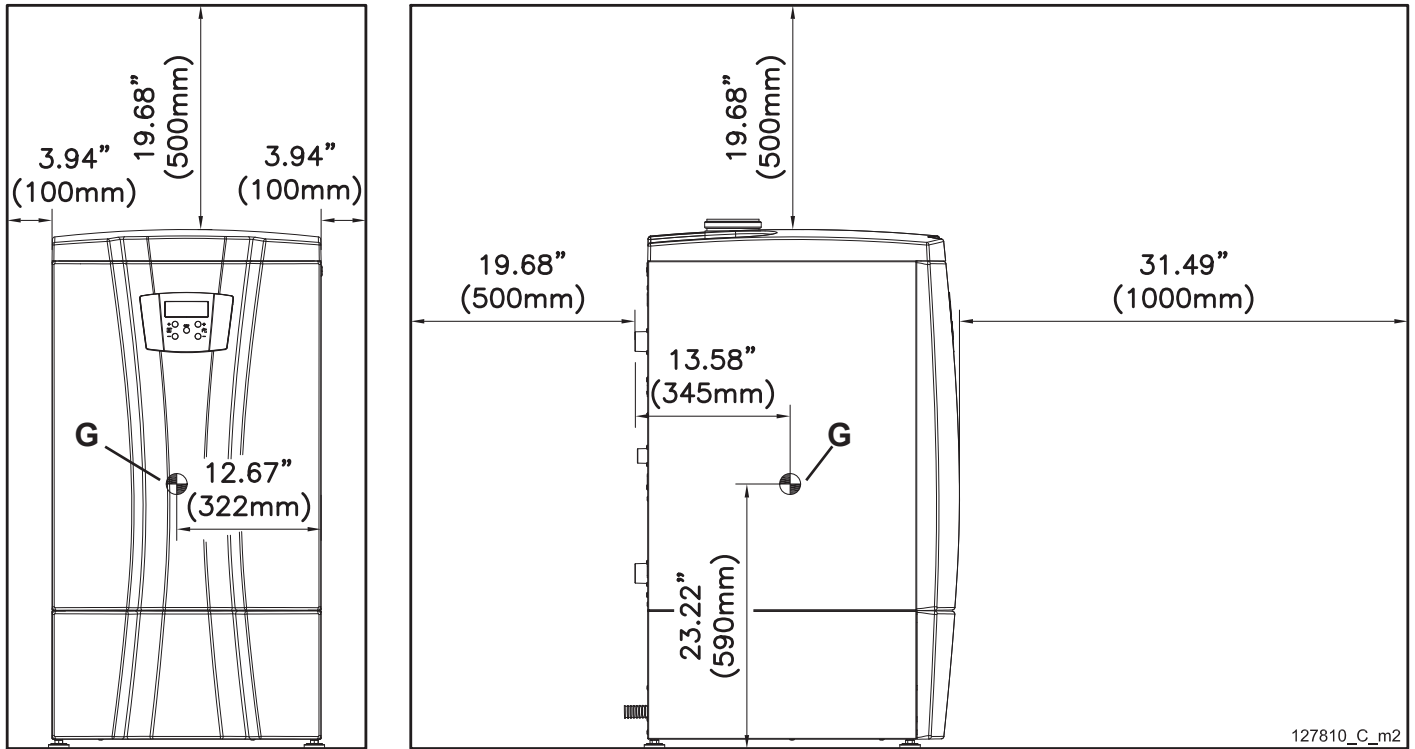
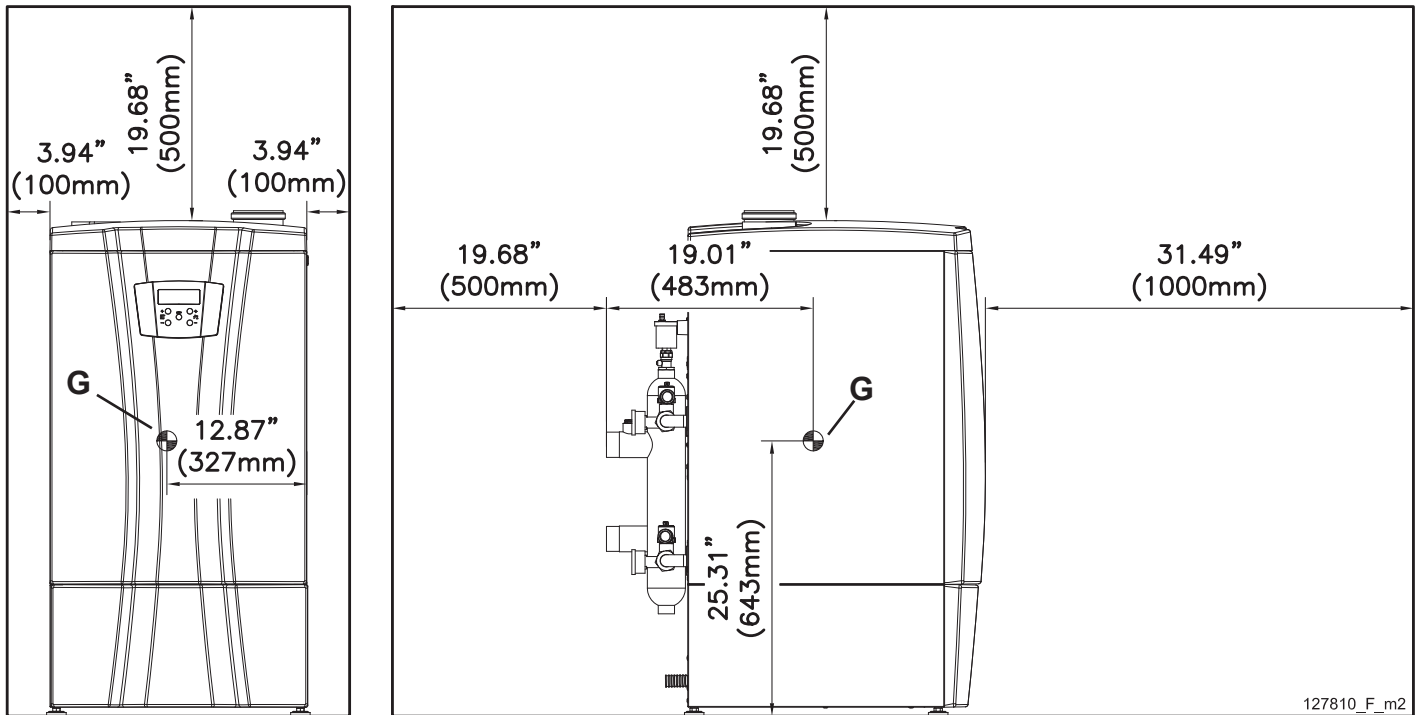


5 - INSTALLATION - Location



127810_C_m2

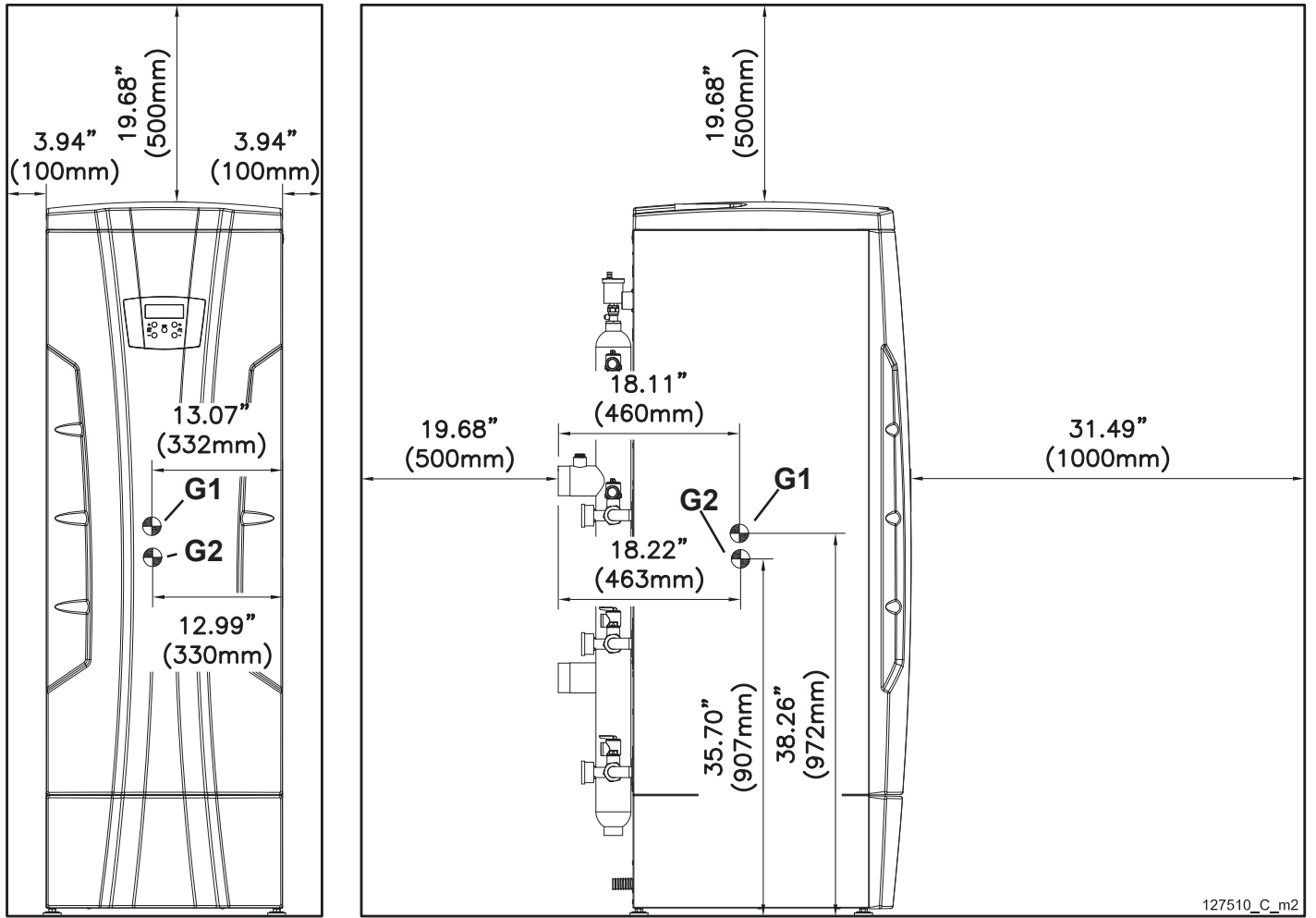
Figure 5-2 Recommended minimum clearance distances for proper installation and servicing for model 199 (G = Center of gravity)



127810_F_m2

Figure 5-3 Recommended minimum clearance distances for proper installation and servicing for models 399 and 500 (G = Center of gravity)

5 - INSTALLATION - Location



127510_C_m2

Figure 5-4 Recommended minimum clearance distances for proper installation and servicing for models 750 and 1000 (G1 = Center of gravity for 1000 model G2 = Center of gravity for the 750 model)