



HIDE~A~VECTOR 3

**Compact Hydronic Heaters
for Hard-To-Heat Areas**





HIDE~A~VECTOR **3**

**Small, Versatile and powerful...
it's the finest compact space heater available.**

The Ultimate Compact Space Heater

Our Hide-A-Vector3 provides more heat in less space while offering enhanced features, including a two-speed fan control, a small footprint and a totally enclosed housing. All of these make Hide-A-Vector3 the ideal choice when space prohibits the installation of traditional baseboard.

Choose the Model that Best Meets Your Needs

Hide-A-Vector3 is UL listed and is available in two sizes. Model 48 produces 4800 BTU/Hr. and is ideal for normal heating requirements. Model 88 produces 8800 BTU/Hr. and is designed for greater heating loads. These units provide coverage for a wide array of heating needs.

Two Speed Control for Added Flexibility

With its choice of low and high speeds, Hide-A-Vector3 offers flexibility in selecting your comfort level. Choose either the quieter low speed or the full output high speed. A typical bathroom can be heated using the low speed setting on the model 48 (HAV-48-3).

Enclosed Housing Adds Protection

Hide-A-Vector3 has a new, totally enclosed housing of thick galvanized steel, which protects its components during installation and operation. This rugged housing also helps to reduce noise.

Simplified Economical Installation

Each Hide-A-Vector3 is shipped ready for easy installation. Just connect the 1/2" copper supply inlet and the return outlet to the hot water heating system and then connect the wires from the factory-supplied junction box to normal 120 volt household wiring. That's all it takes, fast and easy.

Install It Virtually Anywhere

With its sleek, self-contained housing and small footprint, the Hide-A-Vector3 is ideal for installation under kitchen cabinets, beneath bathroom vanities, in stair risers, in front of sliding glass doors or even bookcases. Hide-A-Vector3's ease of installation also makes it the ideal choice to heat finished basements, attic room additions, entranceways, mud rooms, workshops and laundry rooms.

Fully Automatic Operation

A thermostatically controlled motor starts the blower as soon as hot water begins flowing through the Hide-A-Vector3 heating coil. As an integral part of the central hot water system, Hide-A-Vector3 can either be piped as part of a baseboard circuit or zoned individually.

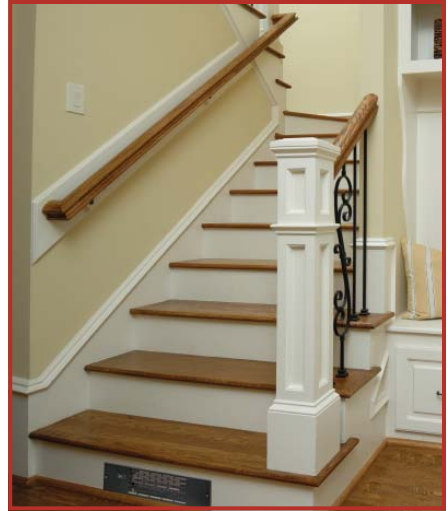




Install Hide-A-Vector3 under a bathroom vanity.



Install Hide-A-Vector3 beneath a kitchen cabinet.



Install Hide-A-Vector3 under a stair riser.

Accessories



Recessed Wall Unit

Hide-A-Vector3 can be installed in a recessed cabinet for vertical applications. Our exclusive cabinet design maintains a high BTU output and installs flush to the wall to maximize space in small rooms and narrow passageways.



Floor Unit

For additional flexibility, Hide-A-Vector3 can be installed in the floor. This is ideal for heating areas around entranceways and sliding doors.

Long Life

The sealed triple ball bearing construction creates a unit that will bring you quieter operation and longer life for your dollar.

Also From Embassy

In addition, Embassy also offers wall hung combi boilers that are pre-piped and pre-wired to ensure a fast and accurate installation.

Specifications

HAV-48-3

Speed	GPM	160°F	170°F	180°F	190°F	200°F	210°F
Low	1	2666	2811	2956	3101	3246	3391
High	1	4143	4484	4825	5166	5507	5848

Low Speed Air Flow: 30 CFM • High Speed Air Flow: 53 CFM • Friction Loss: 0.11 ft. @ 1 GPM

Voltage Requirements: 110-120 Volts AC; 1ph., 60 Hz

Water Connections: 1/2" Nominal Copper Tube

Thermostatic Fan Switch: BI-Metal Type; Contacts Close @ 120°F, +5°F, 15°F Differential

HAV-88-3

Speed	GPM	160°F	170°F	180°F	190°F	200°F	210°F
Low	1	4600	4995	5390	5785	6180	6575
High	1	6900	7875	8850	9825	10800	11775

Low Speed Air Flow: 60 CFM • High Speed Air Flow: 103 CFM • Friction Loss: 0.18 ft. @ 1 GPM

Voltage Requirements: 110-120 Volts AC; 1ph., 60 Hz

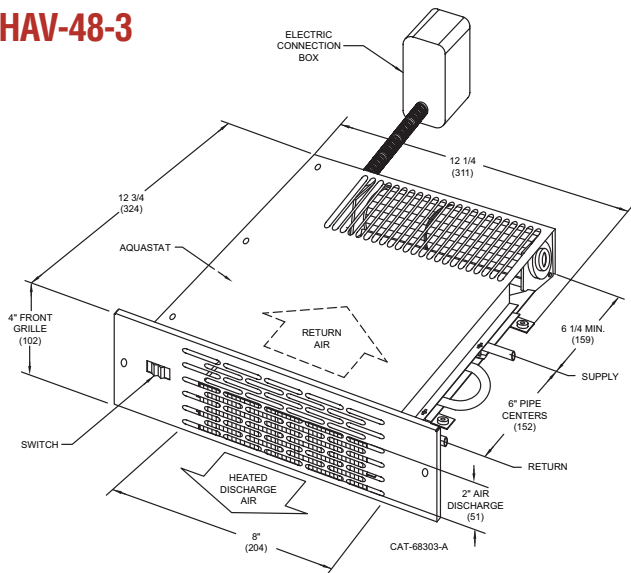
Water Connections: 1/2" Nominal Copper Tube

Thermostatic Fan Switch: BI-Metal Type; Contacts Close @ 120°F, +5°F, 15°F Differential

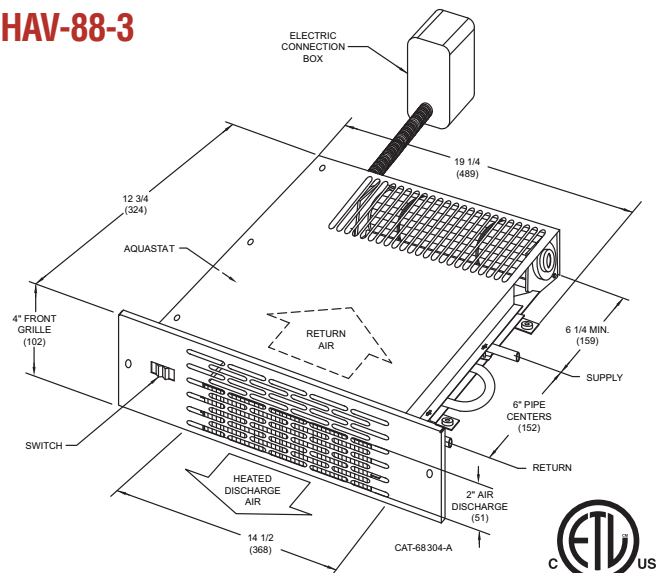
Cavity Dimensions

Dimension	HAV-48-3	HAV-88-3
Minimum Height	4"	4"
Minimum Width	13"	20"
Minimum Length	16"	16"
Minimum Grill Opening	9-3/4"	17"
Maximum Grill Opening	12-1/2"	19"

HAV-48-3



HAV-88-3



315 Oser Avenue, Hauppauge, NY 11788
 (631) 694-1800 • Fax (631) 694-1832
www.embassyind.com

