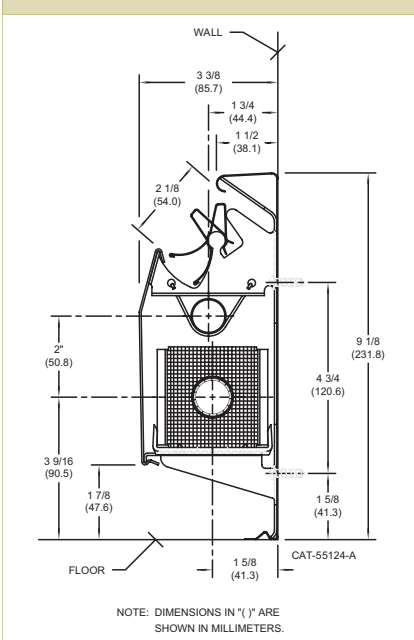




HEATRIM PLUS

HIGH CAPACITY BASEBOARD RADIATION

DIMENSIONAL DATA



Ratings

MODEL	GPM	AVERAGE HOT WATER TEMP. °F – BTU/HR./LIN.FT.									
		140°	150°	160°	170°	180°	190°	200°	210°	220°	
3/4"	4	470	560	650	750	850	940	1040	1140	1240	
	1	445	530	620	710	800	890	980	1080	1170	
1"	4	455	540	630	730	820	920	1010	1120	1220	
	1	430	510	600	690	780	870	960	1060	1150	

Correction Factors

If the calculated water flow rate through a baseboard is greater than the standard flow rate (1 GPM), the rating of that unit may be increased by multiplying the standard water rating at 1 GPM by the factor shown for the actual flow rate. All ratings based on 65°F entering air temperature.

G.P.M.	HEAT OUTPUT FACTOR	PRES. DROP. 3/4" ELEMENT (Millinches/Ft.)	1" ELEMENT (Millinches/Ft.)	G.P.M.	HEAT OUTPUT FACTOR	PRES. DROP. 3/4" ELEMENT (Millinches/Ft.)	1" ELEMENT (Millinches/Ft.)
1.0	1.000	47	13	3.5	1.051	420	114
1.5	1.016	96	26	4.0	1.057	525	145
2.0	1.028	157	43	4.5	1.062	650	178
2.5	1.038	230	63	5.0	1.067	775	216
3.0	1.045	320	87	6.0	1.074	1060	290

Packaging

COMPLETE UNIT (3/4" TUBE)	COMPLETE UNIT (1" TUBE)	ENCLOSURE ONLY	ELEMENT ONLY (3/4" TUBE)	ELEMENT ONLY (1" TUBE)	LENGTH	NO. OF ELEMENT BRACKETS
HTPCU75-8	HTPCU100-8	HTPCO-8	HTE-E75-8	HTE-E100-8	8'	4
HTPCU75-7	HTPCU100-7	HTPCO-7	HTE-E75-7	HTE-E100-7	7'	3
HTPCU75-6	HTPCU100-6	HTPCO-6	HTE-E75-6	HTE-E100-6	6'	3
HTPCU75-5	HTPCU100-5	HTPCO-5	HTE-E75-5	HTE-E100-5	5'	3
HTPCU75-4	HTPCU100-4	HTPCO-4	HTE-E75-4	HTE-E100-4	4'	2
HTPCU75-3	HTPCU100-3	HTPCO-3	HTE-E75-3	HTE-E100-3	3'	2
HTPCU75-2	HTPCU100-2	HTPCO-2	HTE-E75-2	HTE-E100-2	2'	2

Standard assembly includes one length each of back panel, 18 GA. front panel, damper, 3/4" or 1" element, plus required support brackets and element slide cradles. Joining piece set included with lengths of 5', 6' and 8' assemblies.

Standard Accessories

CATALOG NUMBER	DESCRIPTION	QTY.
HTP-REC	4" Hinged End Cap, Right	12
HTP-LEC	4" Hinged End Cap, Left	12
HTP-3REC	3" Solid End Cap, Right	10
HTP-3LEC	3" Solid End Cap, Left	10
HTP-4REC	4" Solid End Cap, Right	8
HTP-4LEC	4" Solid End Cap, Left	8
HTP-IC	90° Inside Corner	12
HTP-ICB	135° Inside Corner	AO
HTP-OC	90° Outside Corner	10
HTP-OCB	135° Outside Corner	AO
HTP-WJ	4" Wall Trim to Floor	12
HTP-PJ3	2" Panel Joiner (3 pcs.)	12
HTP-FIS	14" Filler Piece Set (3 pcs.)	AO
HTP-STH	Supply Tubing Lower Hanger	AO
HTP-RTH	Supply Tubing Upper Hanger	AO
HTP-BR	Support Bracket & Nylon Cradle	AO
HTP-TUP	Touch-Up Spray Paint	6
HTP-ESC	Element Slide Cradle	12

NOTE: AO= Quantity as Ordered

Accessories

