


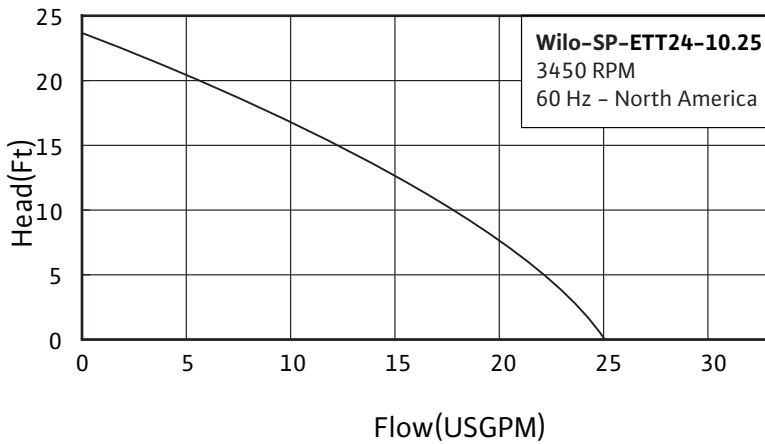
Submittal Data Sheet

Wilo ETT - Utility Pumps



Wilo ETT

	Project:							
	Engineer:							
	Contractor:							
	Submitted By:				Date:			
	Approved By:				Date:			
Tag #	Model #	Flow	Head	HP	Cycle	Phase	Voltage	RPM
	ETT24-10.25				60Hz	1	115	3450

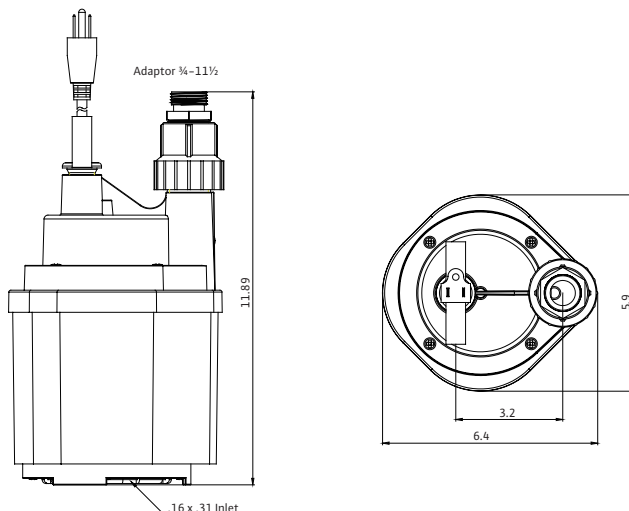


Technical Data	
Temp Range:	Max.77°F (25°C)
Power Supply	1~115
Discharge Size:	1" NPT (1" NPT Check valve and 3/4" garden hose adaptor also included)

Materials of Construction	
Motor Housing	Thermoplastic
Pump volute	Thermoplastic
Impeller	Thermoplastic

Motor Data				
	P2	Phase	FLA	Voltage
Model	[HP]	[~]	[A]	[V]
ETT24-10.25	1/4	1	3.0	115

Applications	
• Drainage	• Sump & De-watering



Approval Stamp

WILO USA LLC

Tel: (866) 945-6872 Web: www.wilo-usa.com
Fax: (708) 338-9455 Email: info@wilo-usa.com

WILO Canada Inc.

Tel: (866) 945-6236 Web: www.wilo-canada.com
Fax: (403) 277-9456 Email: info@wilo-canada.com

WILO Mexico

Tel: +52 55 5586 3209 Web: www.wilo-mexico.com.mx
Fax: +52 1 55 5413 4165 Email: info@wilo.com.mx