

Submittal Data Sheet

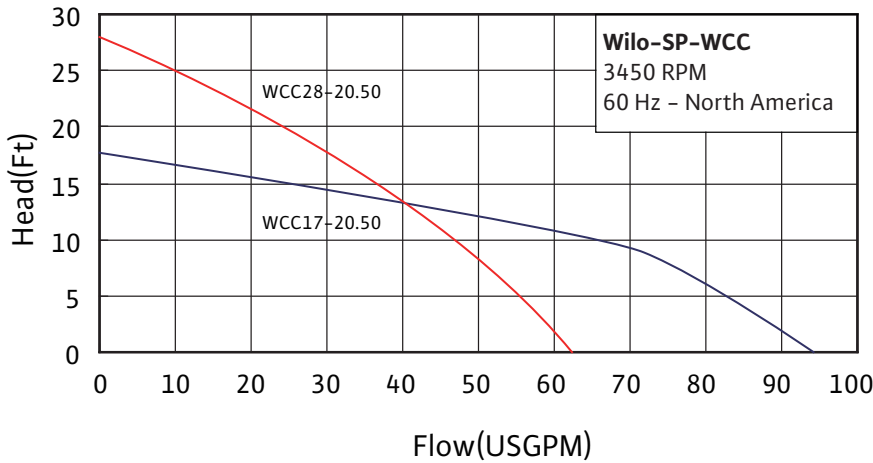
Wilo WCC - Submersible Sewage/Effluent Pumps



Wilo WCC

	Project:	
	Engineer:	
	Contractor:	
	Submitted By:	Date:
	Approved By:	Date:

Tag #	Model #	Flow	Head	HP	Cycle	Phase	Voltage	RPM
	WCC28-20.50			½	60Hz	1	115	3450
	WCC17-20.50			½	60Hz	1	115	3450

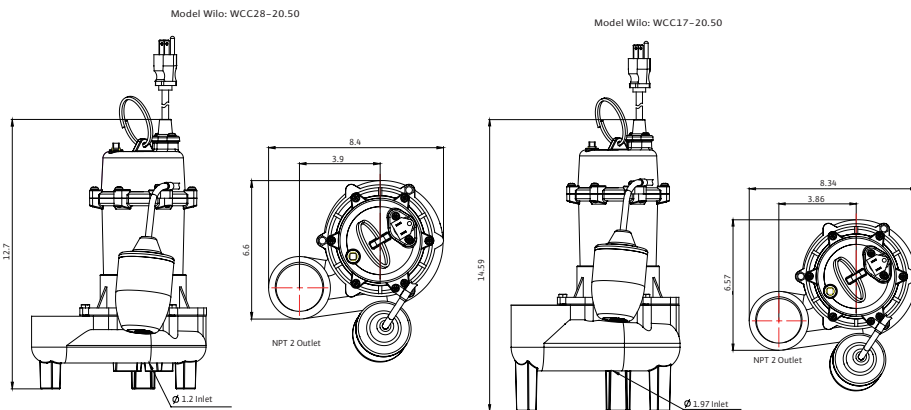


Technical Data	
Temp Range:	Max.131°F (55°C)
Power Supply	1-115v
Discharge Size:	2" NPT

Materials of Construction	
Motor Housing	Cast Iron
Pump volute	Cast Iron
Impeller	Thermoplastic

Motor Data				
Model	P2 [HP]	Phase [-]	FLA [A]	Voltage [V]
WCC28-20.50	½	1	5	115
WCC17-20.50	½	1	6	115

Applications	
• Sewage & Effluent	• Drainage



Approval Stamp