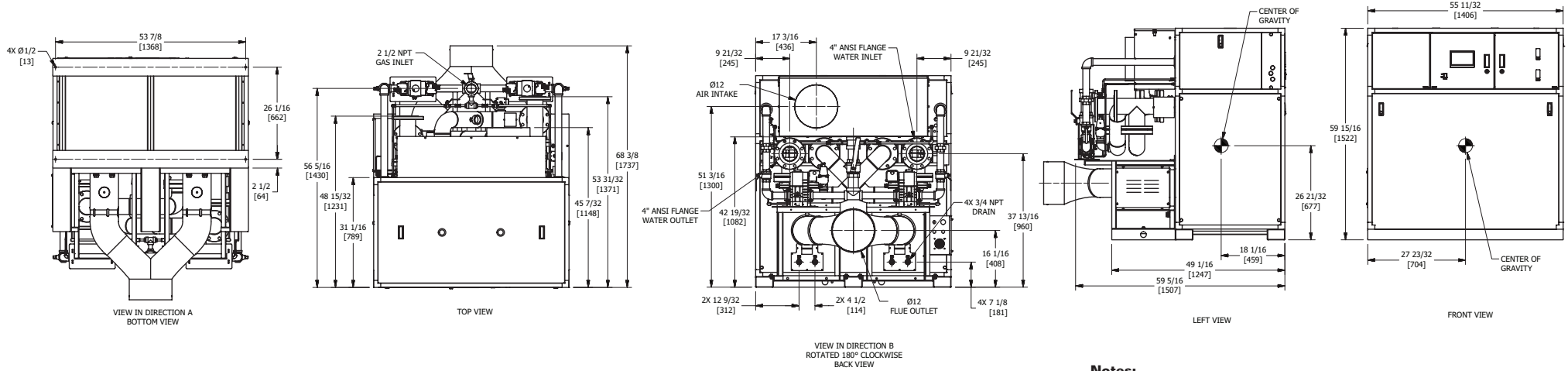


# INDOOR UNIT



- Notes:**
1. Dimensions are approximate and should not be used to "rough-in" equipment.
  2. Dimensions are subject to change without notice.
  3. All dimensions are in inches (mm).

## BOILER CERTIFIED RATINGS & CAPACITIES

<b>Fuel Type</b>	Natural/Propane Gas	<b>Boiler FLA</b>	13.3* @ 230V
<b>Input BTU/hr.</b>	6,000,000 / 1758 kW	<b>Min. Gas Pressure Required</b>	3.5" WC**
<b>Output BTU/hr.</b>	5,244,000 / 1537 kW	<b>Max. Gas Pressure Allowed</b>	14" WC
<b>Electrical Requirements</b>	(L1, L2, L3, GND) 230 VAC / 3PH / 60Hz	<b>Operating Weight</b>	2958 lbs / 1342 kgs

## BOILER TEMPERATURE RISE / PRESSURE DROP

20°F / 11.1°C				25°F / 13.9°C				30°F / 16.7°C				35°F / 19.4°C			
Flow Rate		Pressure Drop		Flow Rate		Pressure Drop		Flow Rate		Pressure Drop		Flow Rate		Pressure Drop	
GPM	L/s	Ft	kPa	GPM	L/s	Ft	kPa	GPM	L/s	Ft	kPa	GPM	L/s	Ft	kPa
524.6	33.1	13.2	39.6	419.7	26.5	8.5	25.3	349.7	22.1	5.9	17.6	299.8	18.9	4.3	12.9

## BOILER / WATER HEATER TRIM & CONTROLS

<b>Main Gas Valve Body (2)</b>	Dungs MBC 2500	<b>High Limit (Manual Reset)</b>	Jumo
<b>Firing Valve (2)</b>	Honeywell B200T1066 1-1/2"	<b>High Limit (Auto Reset)</b>	Jumo
<b>Main Ball Valve</b>	2-1/2"	<b>Blocked Flue Switch</b>	HUBA
<b>Manual Pilot Valve</b>	1/4" Honeywell B528	<b>Air Switch</b>	HUBA
<b>Pilot Regulator</b>	White-Rodgers 25m	<b>Blower Motor (2)</b>	American Fan 3 HP - FLA 8
<b>Ignition Control (2)</b>	Honeywell RM7895C	<b>Relief Valve - MB (2)</b>	1-1/4" x 1-1/2" set @ 50 psi
<b>Operating Control</b>	HeatNet®	<b>Flow Switch (2)</b>	ITT FS8W

## A.S.M.E.

<b>ASME Sect IV Htg Surface</b>	650.0 Sq. Ft. / 60.38 Sq. M.	<b>Design Data</b>	Max. 160 psig & 250°F
<b>Water Volume</b>	25.6 gal / 96.9 Liters		

\* Add circulator amps.  
 \*\* For incoming gas pressures lower than 3.5" W.C. natural or propane, consult factory.

**REP FIRM** \_\_\_\_\_  
**SUBMITTED BY** \_\_\_\_\_  
**JOB NAME** \_\_\_\_\_  
**ARCHITECT** \_\_\_\_\_  
**ENGINEER** \_\_\_\_\_  
**CONTRACTOR** \_\_\_\_\_  
**DATE** \_\_\_\_\_

## FUTERA XLF 6000

**Category I, II or IV Appliance**  
 (see Installation and Operation Manual for venting information)



A Division of Mestek, Inc.  
 Westfield, MA 01085  
 (413) 568-9571