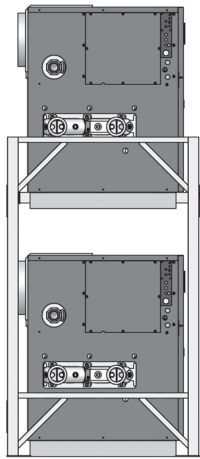


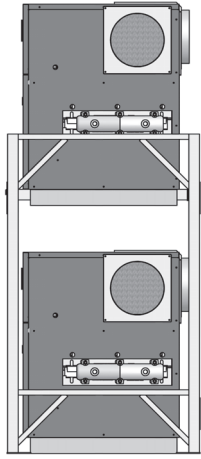


SUBMITTAL SHEET

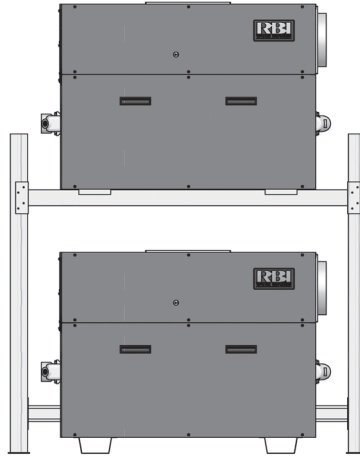
Type: Rack Assembly
Models: LCD



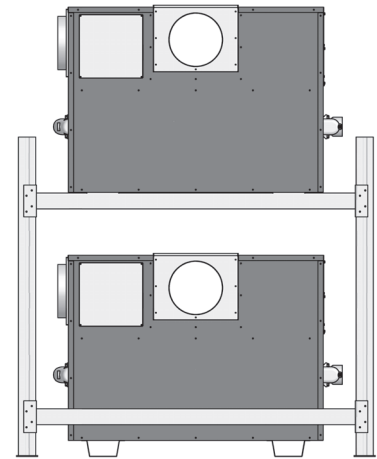
Rack Left Side



Rack Right Side



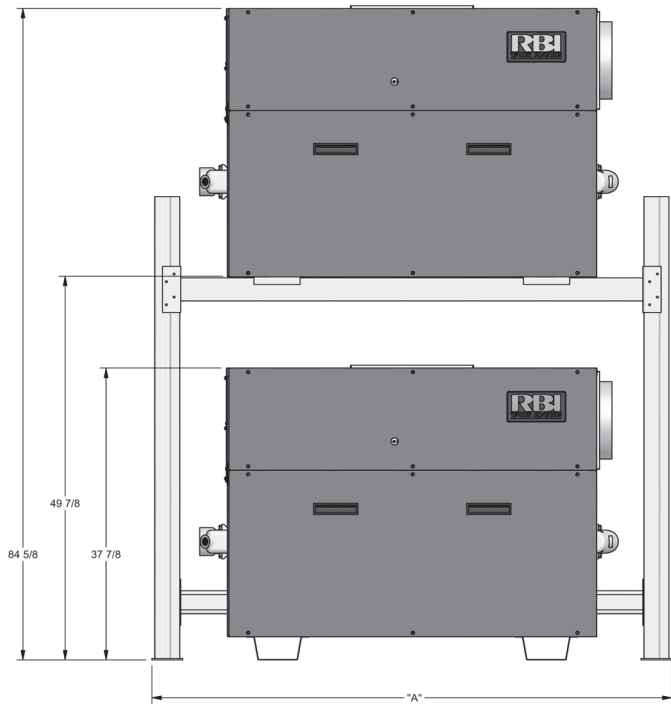
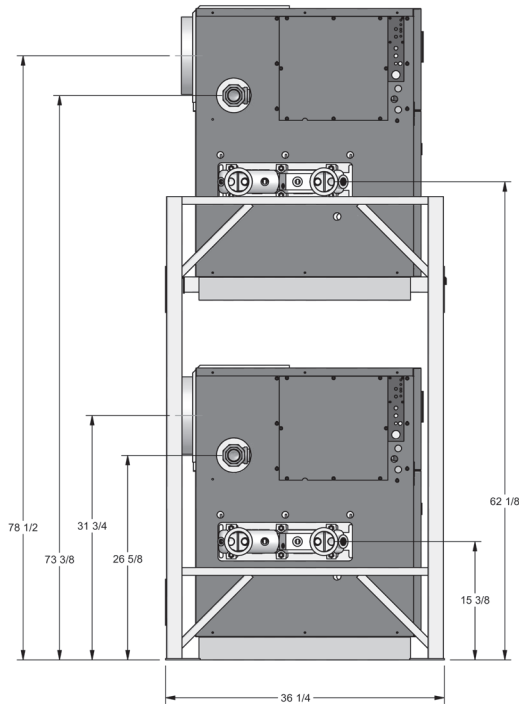
Rack Front



Rack Rear

CHANGES

APPR. BY:



MODEL LENGTHS					
MODEL	225-400	600 - 750	1050	1200 - 1480	1650 - 2300
"A"	37 1/2	50 1/2	67 1/2	86 1/2	113 1/2



260 North Elm Street • Westfield, MA 01085
Phone: (413) 568-9571 • Fax: (413) 568-9613

7555 Tranmere Drive • Mississauga, Ontario L5S 1L4 Canada
Phone: (905) 670-5888 • Fax: (905) 670-5782



Part #	Description	Quantity Needed										
		225	300	400	600	750	1050	1200	1480	1650	1970	2300
20-0021	Boiler Rack Anchor Wedge $\frac{3}{8}$ " x $2\frac{3}{4}$ "	8	8	8	8	8	8	8	8	8	8	8
20-0022	Boiler Rack Box Beam $1\frac{1}{2}$ " x 4" x 30"	3	3	3								
20-0023	Boiler Rack Box Beam $1\frac{1}{2}$ " x 4" x 43"				3	3						
20-0024	Boiler Rack Box Beam $1\frac{1}{2}$ " x 4" x 60"						3					
20-0025	Boiler Rack Box Beam $1\frac{1}{2}$ " x 4" x 79"							3	3			
20-0026	Boiler Rack Box Beam $1\frac{1}{2}$ " x 4" x 106"									3	3	3
20-0027	Boiler Rack End Frame	2	2	2	2	2	2	2	2	2	2	2
20-0028	Boiler Rack Safety Bar 36"	2	2	2	2	2	4	4	4	4	4	4

CHANGES	APPR. BY:	Parts List	
		ITEM	DESCRIPTION
		1	RACK END, FRAME
		2	RACK RAIL BOX BEAM
		3	RACK SAFETY BAR

MODEL LENGTHS					
MODEL	225-400	600 - 750	1050	1200 - 1480	1650 - 2300
"A"	37 1/2	50 1/2	67 1/2	86 1/2	113 1/2