

SERIES BTU, BTC, BSF, BSC, BTD COMMERCIAL TUBULAR DIRECT SPARK, GAS-FIRED EQUIPMENT REPLACEMENT PARTS CATALOG

INDEX	PAGE
WARRANTY INFORMATION - RETURN GOODS.....	2
CONVERSION KITS & TRANSFORMERS.....	3
BTU SERIES UNIT NUMBER DESCRIPTION.....	4
BTC/BSF/BSC SERIES UNIT NUMBER DESCRIPTION.....	5
BTU-100/400 REPLACEMENT PARTS.....	6-9
BSF-100/400 REPLACEMENT PARTS.....	10-13
BTC/BSC-100/400 REPLACEMENT PARTS.....	14-21
BLOWER MOTORS.....	20
MAGNETIC STARTER COMPONENTS.....	21
BTD-100/400 REPLACEMENT PARTS.....	22-25
GAS CONTROL OPTIONS [GC]: 3-7.....	26
FIELD/FACTORY INSTALLED ACCESSORIES AND MISC.....	27
TERMS.....	28

IMPORTANT
WHEN ORDERING REPLACEMENT PARTS,
PLEASE SPECIFY MODEL NO. AND SERIAL NO.



260 NORTH ELM ST., WESTFIELD, MA 01085 • TEL: (413) 562-5423 • FAX: (413) 572-3764
7555 TRANMERE DRIVE, MISSISSAUGA ONTARIO L5S 1L4 • TEL.: (905) 670-5888 • FAX: (905) 670-5782
www.beacon-morris.com

IMPORTANT WARRANTY INFORMATION

If you are ordering a replacement part for a unit which you believe to be under warranty, the process is as follows:

- Provide Beacon/Morris with a replacement purchase order for the item along with the model and serial number of the unit which experienced failure.
- Complete a Return Goods Authorization (R.G.A.) request form and submit with replacement purchase order. Complete description of failure is required; “defective” is not acceptable.
- Your replacement purchase order will be entered and an R.G.A., with instructions on how and where to send the defective parts, will be emailed to the email address listed on the R.G.A. request form submitted.
- Your replacement parts order will ship and invoice. The invoice will list the R.G.A number and state: “an R.G.A. has been issued.”
- Returned goods must ship back within 30 days from date of R.G.A. If we do not receive the parts within 30 days, the RGA will be voided. Parts returned and found to be valid under warranty will be credited for parts only. If our inspection reveals that the parts returned are in a non-warranty condition, no credit will be issued. Freight is not covered under warranty.

In order to ensure the orderly processing of your warranty claim, it is **MANDATORY** that certain paper work accompany any and all goods returned to Beacon/Morris. It is also mandatory that goods be sent to the proper location.

In order to ensure proper handling of these goods, we insist that under all circumstances we must formally authorize the return of material to our various facilities. Any material returned without authorization will not be accepted.

In order to ensure that your properly authorized returns are accepted at our plant, we ask that you clearly mark any and all shipping papers with an R.G.A. number; we will not accept shipments that do not clearly show R.G.A. number on the outside of the box or crate!

**All returns to be shipped Freight Prepaid.
Collect Shipments will not be accepted.**

CONSULT OUR CUSTOMER SERVICE DEPT. FOR ANY REPLACEMENT
PARTS NOT LISTED IN THIS PUBLICATION. LIMITED AVAILABILITY ON
CERTAIN OBSOLETE EQUIPMENT.

TEL. 413-562-5423 FAX# 413-572-3764

BTU, BTC, BSF, BSC, BTD SERIES 100-400 MBH REPLACEMENT PARTS

CONVERSION KITS* FOR BTU, BTC, BSF, BSC, BTD SERIES UNITS WITH DIRECT SPARK IGNITION

(For units manufactured January 1, 2006 and After)

CONVERTING FROM NAT. GAS TO LP GAS

CONVERTING FROM LP GAS TO NAT. GAS

UNIT NO.	CONVERSION KIT NO.	UNIT NO.	CONVERSION KIT NO.
BTU/BTC/BSF/BSC-100/400 BTD-100/400	261R06951 CKNTPDSTD-045	BTU/BTC/BSF/BSC-100/400 BTD-100/400	261R06952 CKPTNDSTD-3.4

* Refer to Installation & Operation Manual for high altitude conversions (above 2,000 feet).

NOTE: When converting a unit that is utilizing a two-stage gas control, the following are needed:

1. Two-stage gas valve of new gas type

2. Conversion Kit

There will be extra items in the conversion kit that can be discarded (i.e. conversion spring).

TRANSFORMERS

DESCRIPTION	PART NUMBER
115/24, 50VA TRANSFORMER	J14R03245-001
208/24, 50VA TRANSFORMER	J14R03245-010
230/24, 50VA TRANSFORMER	J14R03245-010
208/115, 500VA TRANSFORMER	J14R05241-001
230/115, 500VA TRANSFORMER	J14R02832-002
460/115, 500VA TRANSFORMER	J14R02832-002
575/115, 500VA TRANSFORMER	J14R02832-006

BTU SERIES TUBULAR PROPELLER UNIT HEATERS UNIT NUMBER DESCRIPTION

Digit	T	X	X	X	1	2	3	4	5	6	7	8	9	10	11	12	13	+
Item	Prefix				UT	CA			FT	FM	GT	AL	GC	SV	MT	AS		

(Internal Use Only)

1,2 - Unit Type [UT]

BTU - Tubular Propeller

3,4,5 - Capacity [CA]

100 - 100,000 BTU/HR
 125 - 125,000 BTU/HR
 150 - 150,000 BTU/HR
 175 - 175,000 BTU/HR
 200 - 200,000 BTU/HR
 250 - 250,000 BTU/HR
 300 - 300,000 BTU/HR
 350 - 350,000 BTU/HR
 400 - 400,000 BTU/HR

6 - Furnace Type [FT]

A - Right Hand Access

7 - Heat Exchanger (Furnace) Material [FM]

1 - Standard (Aluminized) Steel
 2 - 409 Stainless Steel

8 - Gas Type [GT]

N - Natural Gas
 P - Propane (LP) Gas

9 - Altitude [AL]

S - 0-4,999 ft.
 T - 5,000-11,999 ft.

*Note: Installations over 2,000 ft. require gas input deration in the field.
 Refer to unit installation instructions.*

10 - Gas Control [GC]

1 - Single Stage Direct Spark
 2 - Two Stage Direct Spark
 3 - Electronic Modulation w/Room Sensing
 6 - Electronic Modulation w/External 4-20 mA Input
 7 - Electronic Modulation w/External 0-10 VDC Input

11 - Supply Voltage [SV]

1 - 115/1/60 5 - 230/3/60
 2 - 208/1/60 6 - 460/3/60
 3 - 230/1/60 7 - 575/3/60
 4 - 208/3/60 Z - Special

Note: Supply Voltage [SV] 2-7 include field mounted step down transformer.

12 - Motor Type [MT]

1 - Open Drip Proof (Standard)
 2 - Totally Enclosed

13+ - Accessories [AS]

FACTORY INSTALLED

M6 - OSHA Type Fan Guard
 P4 - Terminal Block Wiring
 P6 - Summer/Winter Switch
 S3 - 409 Stainless Steel Flue Collector
 S5 - 304L Stainless Steel Burners

FIELD INSTALLED (AS-____) †

† All Field Installed Accessories are to be entered as a separate line item using the catalog number which places "AS" as a prefix. i.e. G3 becomes AS-G3.

A7 - High Pressure Regulator

A7-1/2-1 - Regulator for 0.5-10 PSI
 A7-3/8-1 - Regulator for 10-20 PSI
 A7-5/16-1 - Regulator for 20-35 PSI

G1 - 1-Stage T87K Mercury Free Thermostat w/Subbase Kit
 G2 - 1-Stage T87K Mercury Free Thermostat w/TG511A Guard Kit
 G3 - 1-Stage T834N Mercury Free Thermostat/Fan Switch
 G5 - 2-Stage TH5220D Mercury Free Thermostat w/Subbase
 G6 - Locking Thermostat Cover
 G8 - 1-Stage T6169C Line Voltage Thermostat w/Subbase
 G9 - 1-Stage T822K Mercury Free Thermostat

H5 - Low Ambient Control

M2-2 - 5" Vent Cap (Capacity 100-250)
 M2-3 - 6" Vent Cap (Capacity 300-400)
 M7-TUB - 2 to 4 Point Suspension Kit

P5 - 24V SPST Relay-Specify Purpose

X2 - 30 Degree Downturn Nozzle
 X3 - 60 Degree Downturn Nozzle
 X4 - 90 Degree Downturn Nozzle
 X5 - Vertical Louver Kit

BTC SERIES TUBULAR BLOWER UNIT HEATERS, BSF & BSC SERIES SEPARATED COMBUSTION TUBULAR UNIT HEATERS UNIT NUMBER DESCRIPTION

Digit	T	X	X	X	—	1	2	3	4	5	6	7	8	9	10	11	12	13	14	+	
Item	Prefix					UT		CA			FT	FM	GT	AL	GC	SV	MT	MS	AS		
	(Internal Use Only)																				

1, 2 - Unit Type [UT]

BTC - Tubular Blower
BSF - Separated Combustion Tubular Propeller
BSC - Separated Combustion Tubular Blower

3, 4, 5 - Capacity [CA]

100 - 100,000 BTU/HR
125 - 125,000 BTU/HR
150 - 150,000 BTU/HR
175 - 175,000 BTU/HR
200 - 200,000 BTU/HR
250 - 250,000 BTU/HR
300 - 300,000 BTU/HR
350 - 350,000 BTU/HR
400 - 400,000 BTU/HR

6 - Furnace Type [FT]

A - Right Side Access

7 - Heat Exchanger (Furnace) Material [FM]

1 - Standard (Aluminized) Steel
2 - 409 Stainless Steel

8 - Gas Type [GT]

N - Natural Gas
P - Propane Gas (LP)

9 - Altitude [AL]

S - 0-4,999 ft.
T - 5,000-11,999 ft.

Note: Installations over 2,000 ft. require gas input deration in the field. Refer to unit installation instructions.

10 - Direct Spark Gas Control [GC]

1 - Single Stage
2 - Two Stage
3 - Electronic Modulation w/Room Sensing
4 - Electronic Modulation w/Duct Sensing (Blowers Only)
5 - Electronic Modulation w/Duct Sensing & Room Override Stat (Blowers Only)
6 - Electronic Modulation w/External 4-20 mA Input
7 - Electronic Modulation w/External 0-10 VDC Input

11 - Supply Voltage [SV]

1 - 115/1/60 **5** - 230/3/60
2 - 208/1/60 **6** - 460/3/60
3 - 230/1/60 **7** - 575/3/60
4 - 208/3/60 **Z** - Special

Note: Supply Voltages [SV] 2-7 include step down transformer. Transformer is factory mounted on blower unit types, and field mounted on propeller unit type.

12 - Motor Type [MT]

1 - Open Drip Proof (Standard)
2 - Totally Enclosed
3 - Premium Efficiency, Open Drip Proof (Blowers Only)
4 - Premium Efficiency, Totally Enclosed (Blowers Only)

13 - Blower Motor Sizes [MS]**

A - 1/4 HP w/Contactor **P** - 1/2 HP w/Magnetic Starter
C - 1/2 HP w/Contactor **R** - 3/4 HP w/Magnetic Starter
D - 3/4 HP w/Contactor **S** - 1 HP w/Magnetic Starter
F - 1 HP w/Contactor **T** - 1-1/2 HP w/Magnetic Starter
G - 1-1/2 HP w/Contactor **U** - 2 HP w/Magnetic Starter
H - 2 HP w/Contactor **W** - 1/4 HP w/Magnetic Starter
J - 1/4 HP **0** - None/Not Applicable
L - 1/2 HP

***Notes: 1. All 3-phase units [SV = 4, 5, 6, 7] include a contactor as standard.
2. All single phase units [SV = 1, 2, 3] include a contactor for units equipped with 3/4 HP motor or higher [MS =D, F, G, H]
3. [MS] options J, L only available with [SV] option 1 (115/1/60).*

14+ - Accessories [AS]

FACTORY INSTALLED

M6 - OSHA Type Fan Guard (Propellers Only)
M8 - Discharge Duct Flange (Blowers Only)

P4 - Terminal Block Wiring
P6 - Summer/Winter Switch

S3 - 409 Stainless Steel Flue Collector
S5 - 304L Stainless Steel Burners

FIELD INSTALLED (AS-____) †

† All Field Installed Accessories are to be entered as a separate line item using the catalog number which utilizes "AS" as a prefix. i.e: **G3** becomes **AS-G3**.

A7 - High Pressure Regulator
A7-1/2-1 - Regulator for 0.5-10 PSI
A7-3/8-1 - Regulator for 10-20 PSI
A7-5/16-1 - Regulator for 20-35 PSI

F1 - 1-Stage T675A Ductstat (Blowers Only)
F2 - 2-Stage T678A Ductstat (Blowers Only)

G1 - 1-Stage T87K Mercury Free Thermostat w/Subbase Kit
G2 - 1-Stage T87K Mercury Free Thermostat w/TG511A Guard Kit
G3 - 1-Stage T834N Mercury Free Thermostat/Fan Switch
G5 - 2-Stage TH5220D Mercury Free Thermostat w/Subbase
G6 - Locking Thermostat Cover
G8 - 1-Stage T6169C Line Voltage Stat w/Subbase
G9 - 1-Stage T822K Mercury Free Thermostat

H5 - Low Ambient Control

M2-2 - Vent Caps (5") (Capacity 100-250)
M2-3 - Vent Caps (6") (Capacity 300-400)

M7 - 2 to 4 Point Suspension Kit (Propellers Only)

P5 - 24V SPST Relay-Specify Purpose

X2 - 30 Degree Downturn Nozzle
X3 - 60 Degree Downturn Nozzle
X4 - 90 Degree Downturn Nozzle
X5 - Vertical Louver Kit
X7-H5 - Horiz. Combustion Air Inlet Kit, 5 inch (BSF/BSC 100-250 Only)
X7-H6 - Horiz. Combustion Air Inlet Kit, 6 inch (BSF/BSC 300-400 Only)
X7-V5 - Vert. Combustion Air Inlet Kit, 5 inch (BSF/BSC 100-250 Only)
X7-V6 - Vert. Combustion Air Inlet Kit, 6 inch (BSF/BSC 300-400 Only)

BTU SERIES 100-400 MBH REPLACEMENT PARTS FOR UNITS WITH DIRECT SPARK IGNITION

Figure 1 – Front View

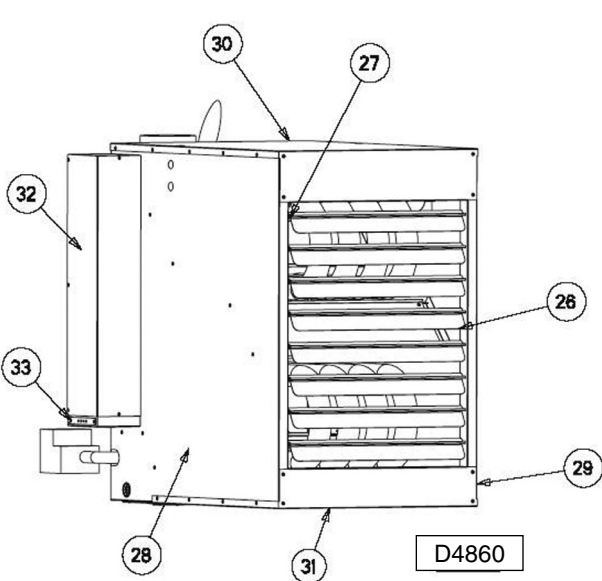
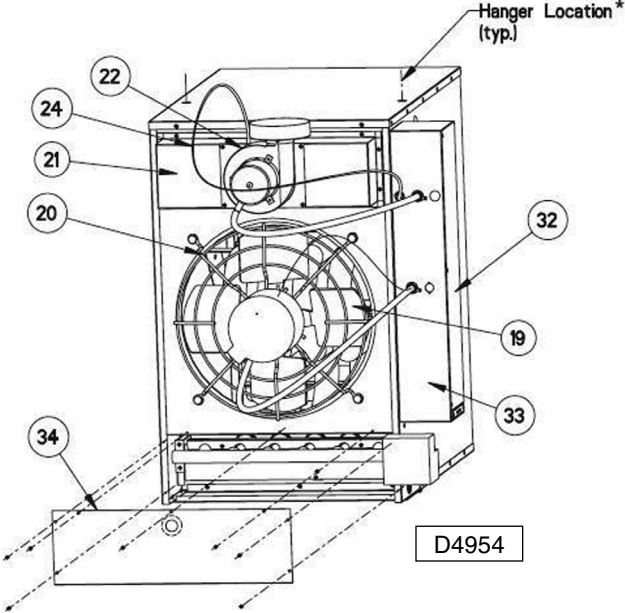
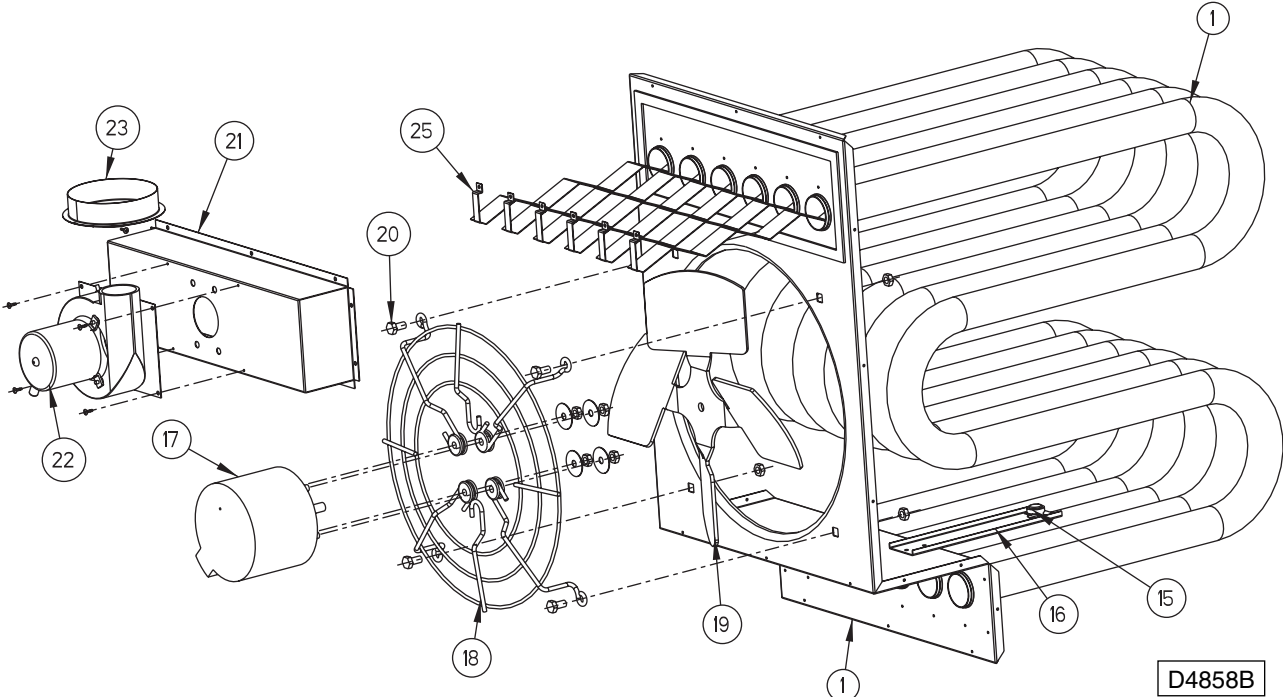


Figure 2 – Rear View



* 3/8-16 Threaded Rod recommended

Figure 3 – Exploded View - Less Jacketry and Controls



BTU SERIES 100-400 MBH REPLACEMENT PARTS FOR UNITS WITH DIRECT SPARK IGNITION

**Figure 4 – Vestibule Panel/Tube Assembly
(Heat Exchanger)**

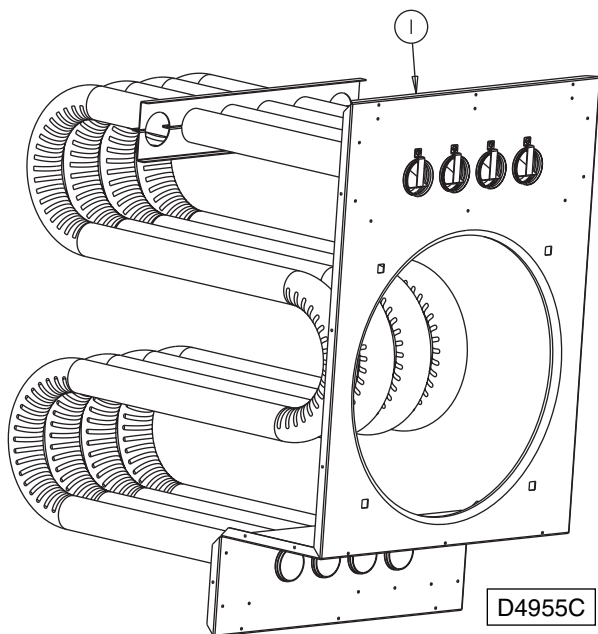


Figure 5 – Electrical Control Panel

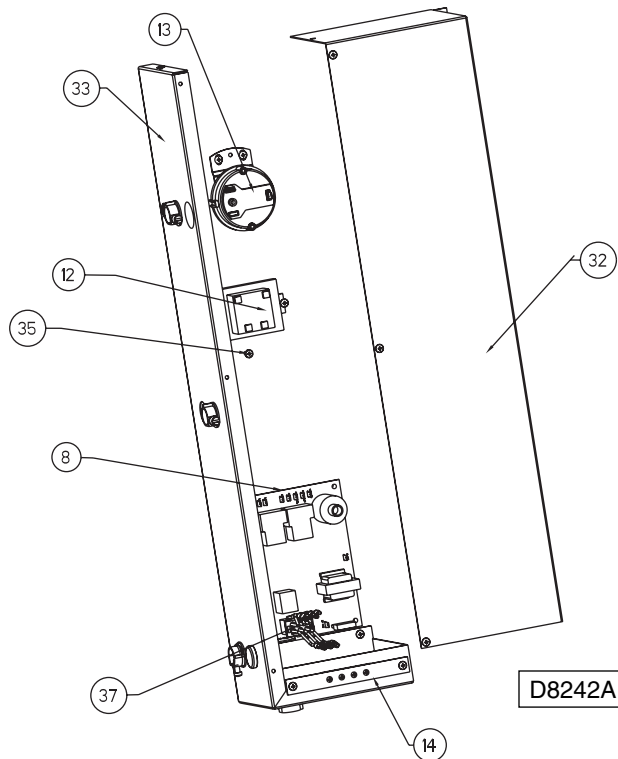
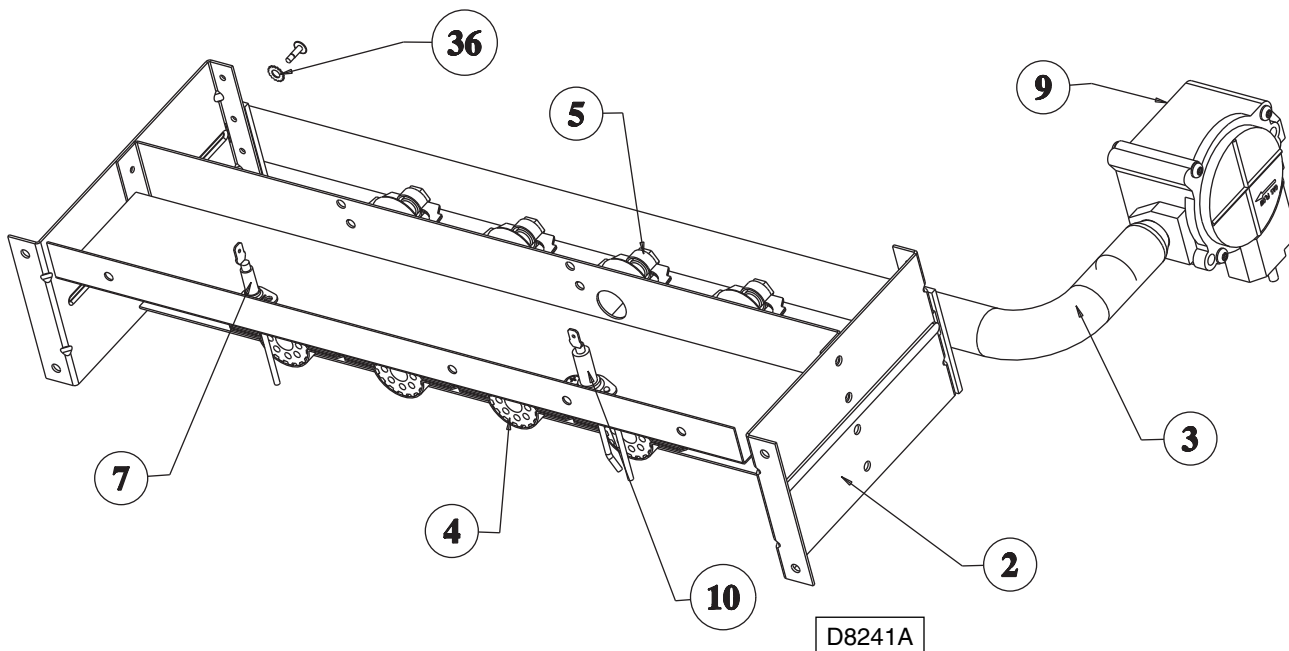


Figure 6 – Manifold Burner Assembly



BTU SERIES 100-400 MBH REPLACEMENT PARTS FOR UNITS WITH DIRECT SPARK IGNITION

ITEM NO.	UNIT CAPACITY (MBH)		100	125
	NO. OF TUBES, TURBULATORS, BURNERS, ORIFICES REQ'D PER MODEL		4	5
	ITEM DESCRIPTION		PART NO.	
1	Vestibule Panel/Tube Ass'y (Heat Exchanger) ¹	Aluminized Steel	507R04567-004	507R04568-004
		409 Stainless Steel	507R04567-104	507R04568-104
2	Manifold Bracket Sub-Ass'y		261R04965-004	
3	Manifold		J37R04277	J37R04278
4	Inshot Burner	Aluminized Steel	J37R03935	J37R03935
		304L Stainless Steel	J37R06754	J37R06754
5	Standard Orifice	Natural Gas (#42)	J36R04694-028	J36R04694-028
		Propane (LP) Gas (#53)	512R08532-013	512R08532-013
7	Flame Sensor ²		J38R06890-003	
8	Control Board ²		J28R06881	
9	Direct Spark Gas Valve, Single Stage ²	Natural Gas	J28R06892-001	
		Propane (LP) Gas	J28R06892-002	
	Direct Spark Gas Valve, Two Stage ²	Natural Gas	J28R06894-001	
		Propane (LP) Gas	J28R06894-002	
10	Spark Ignitor ²		J38R06891-001	
12	Transformer, 50 VA, 115/24		J14R03245-012	
13	Air Pressure Switch	Std Alt (0-4,999 ft)	J11R06779-001	
		High Alt (5,000 ft+)	J11R06780-001	
14	Terminal Block Plate		J11R04609	
15	High Limit Switch [Qty. Req'd per Capacity]		J11R00306-002 [1]	
16	High Limit Bracket [Qty. Req'd per Capacity]		252R04469 [1]	
17	Fan Motor [Qty. Req'd per Capacity]	Open Drip Proof	J31R04092-002 [1]	J31R04093-002 [1]
		Totally Enclosed	J31R03086 [1]	J31R01694 [1]
18	Standard Fan Guard [Qty. Req'd per Capacity]		253R01873-001 [1]	
	OSHA Fan Guard [Qty. Req'd per Capacity] incl. Motor Mounting Plate		J32R04840 [1]	
19	Fan Blade [Qty. Req'd per Capacity] for Units with Standard ODP Motor ⁴	Units Mfd. Before 4/30/07	J34R06999-104 [1] 253R08414-001 [1]	
		Units Mfd. After 4/30/07	J34R06999-104 [1]	
	Fan Blade [Qty. Req'd per Capacity] for Units with Optional TE Motor ⁴	Units Mfd. Before 3/2/07	J34R06999-104 [1] 253R08414-002 [1]	
		Units Mfd. After 3/2/07	J34R06999-104 [1]	
20	Fan/Guard/Motor Mount Hardware Kit [Qty. Req'd per Capacity]		261R04963-002 [1]	
21	Flue Collector ⁵	Aluminized Steel	507R03918-004	507R03918-005
		409 Stainless Steel	507R03918-104	507R03918-105
22	Power Vent (Drafter) Assembly ⁶		J35R04700	
23	Flue Collar Assembly		257R05062	
24	Vinyl Tubing (Pressure Switch)		261R04964-002	
25	Turbulator ¹		501R03893	501R03893
26	Louver [8 Req'd per Model]		257R04587-108	
27	Louver Spring [8 Req'd per Model]		J26R01960	
28	Right Side Jacket Panel w/ Insulation		261R04966	
29	Left Side Jacket Panel w/ Insulation		261R04967	
30	Top Jacket Panel w/ Insulation		261R04968-004	
31	Bottom Jacket Panel w/ Insulation		261R04969-004	
32	Electrical Control Box Cover		257R03888	
33	Electrical Control Box Base (Wrapper)		257R03889	
34	Peep Hole Burner Cover Assembly		261R05411-004	
35	Green Ground Screw		J21R01287	
36	Washer (4 per Unit)		J24R00326-005	
37	Molex Connector Assembly ²		J11R06887-001	
N/S	Ignition Cable - 36 Inches Long ²		J28R06971-002	

Notes:

- Turbulators are included in Vestibule Panel/Tube Assembly (Heat Exchanger).
- See Replacement Part Catalog BTUPC for units manufactured prior to 1/1/06, including all hot surface ignition parts.
- If replacing the direct spark gas valve on a 250 MBH unit manufactured between January 1, 2006 and September 23, 2013, choose the gas valve listed above for 300 MBH units.
- Fan blade part numbers beginning with "253" are kits that include a fan blade and a fan motor supplied in (2) boxes.
- When replacing a flue collector, make sure that the flue collector box is sealed completely to the vestibule panel using RTV sealant.
- Unit capacities 100, 125, 150 MBH require power vent mounting plate 507R04876.

LEGEND: N/S - Part Not Shown, N/A - Not Applicable, Opt'1 - Optional Equipment

150	175	200	250	300	350	400	ITEM NO.
6	7	8	10	12	14	16	
PART NO.							
507R04569-004	507R04570-004	507R04571-004	507R04572-004	507R04573-004	507R04574-004	507R04575-004	1
507R04569-104	507R04570-104	507R04571-104	507R04572-104	507R04573-104	507R04574-104	507R04575-104	
261R04965-004	261R04965-007			261R04965-012			2
J37R04278	J37R04279		J37R04280	J37R04281	J37R04282	J37R04283	3
J37R03935	J37R03935	J37R03935	J37R03935	J37R03935	J37R03935	J37R03935	4
J37R06754	J37R06754	J37R06754	J37R06754	J37R06754	J37R06754	J37R06754	
J36R04694-028	J36R04694-028	J36R04694-028	J36R04694-028	J36R04694-028	J36R04694-028	J36R04694-028	5
512R08532-013	512R08532-013	512R08532-013	512R08532-013	512R08532-013	512R08532-013	512R08532-013	
J38R06890-003							7
J28R06881							8
J28R06892-001			J28R06892-001 ³		J28R06893-001		9
J28R06892-002			J28R06892-002 ³		J28R06893-002		
J28R06894-001			J28R06894-001 ³		J28R06895-001		
J28R06894-002			J28R06894-002 ³		J28R06895-002		
J38R06891-001							10
J14R03245-012							12
J11R06779-001	J11R06779-002			J11R06779-001			13
J11R06780-001	J11R06780-002			J11R06780-001			
J11R04609							14
J11R00306-002 [1]				J11R00306-002 [2]			15
252R04469 [1]				252R04469 [2]			16
J31R04093-002 [1]	J31R04094-002 [1]			J31R04093-002 [2]	J31R04094-002 [2]		17
J31R01694 [1]				J31R01694 [2]			
253R01873-001 [1]	253R01874-001 [1]			253R01873-001 [2]	253R01874-001 [2]		18
J32R04840 [1]	J32R04843 [1]			J32R04840 [2]	J32R04843 [2]		
253R08414-001 [1]	J34R06999-105 [1]	J34R06999-112 [1]		253R08414-001 [2]	J34R06999-105 [2]	J34R06999-112 [2]	19
J34R06999-104 [1]	J34R06999-105 [1]	J34R06999-112 [1]		J34R06999-104 [2]	J34R06999-105 [2]	J34R06999-112 [2]	
253R08414-002 [1]	253R08415-002 [1]	253R08416-002 [1]		253R08414-002 [2]	253R08415-002 [2]	253R08416-002 [2]	
J34R06999-104 [1]	J34R06999-105 [1]	J34R06999-112 [1]		J34R06999-104 [2]	J34R06999-105 [2]	J34R06999-112 [2]	
261R04963-002 [1]				261R04963-002 [2]			20
507R03918-006	507R03920-007	507R03920-008	507R03920-010	507R03922-012	507R03922-014	507R03922-016	21
507R03918-106	507R03920-107	507R03920-108	507R03920-110	507R03922-112	507R03922-114	507R03922-116	
J35R04700	J35R04581			507R04595			22
257R05062	507R04532			507R04600			23
261R04964-002	261R04964-003			261R04964-004			24
501R03893	501R03893	501R03893	501R03893	501R03893	501R03893	501R03893	25
257R04587-108	257R04587-109			257R04587-110			26
J26R01960							27
261R04966							28
261R04967							29
261R04968-004	261R04968-007			261R04968-012			30
261R04969-004	261R04969-007			261R04969-012			31
257R03888							32
257R03889							33
261R05411-004	261R05411-007			261R05411-012			34
J21R01287							35
J24R00326-005							36
J11R06887-001							37
J28R06971-002							N/S

BSF SERIES 100-400 MBH REPLACEMENT PARTS

Figure 7 – Front View

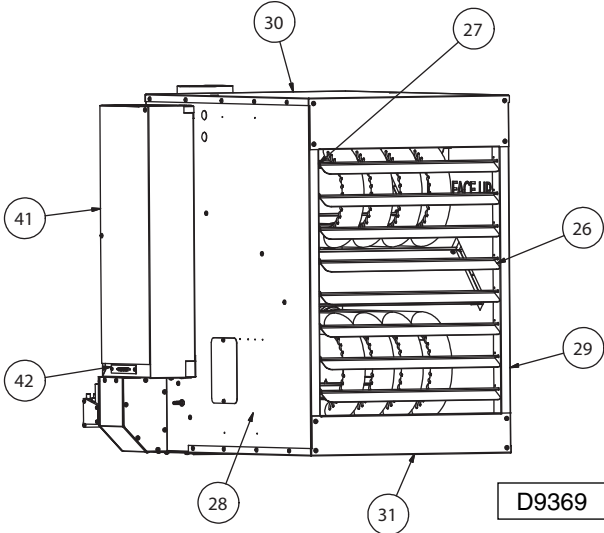
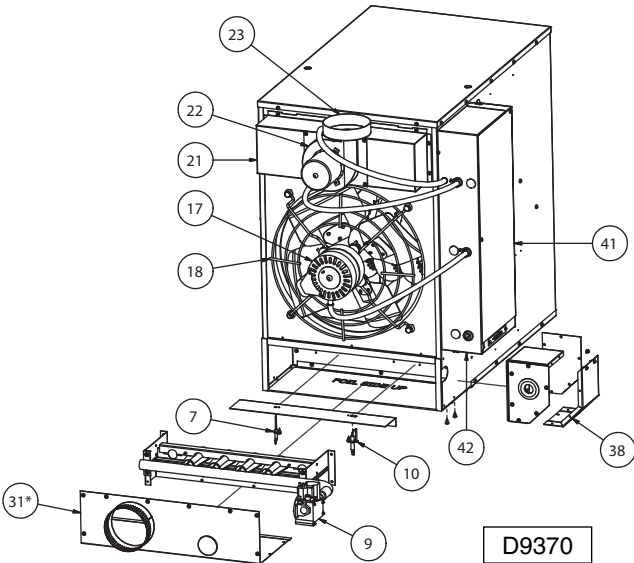
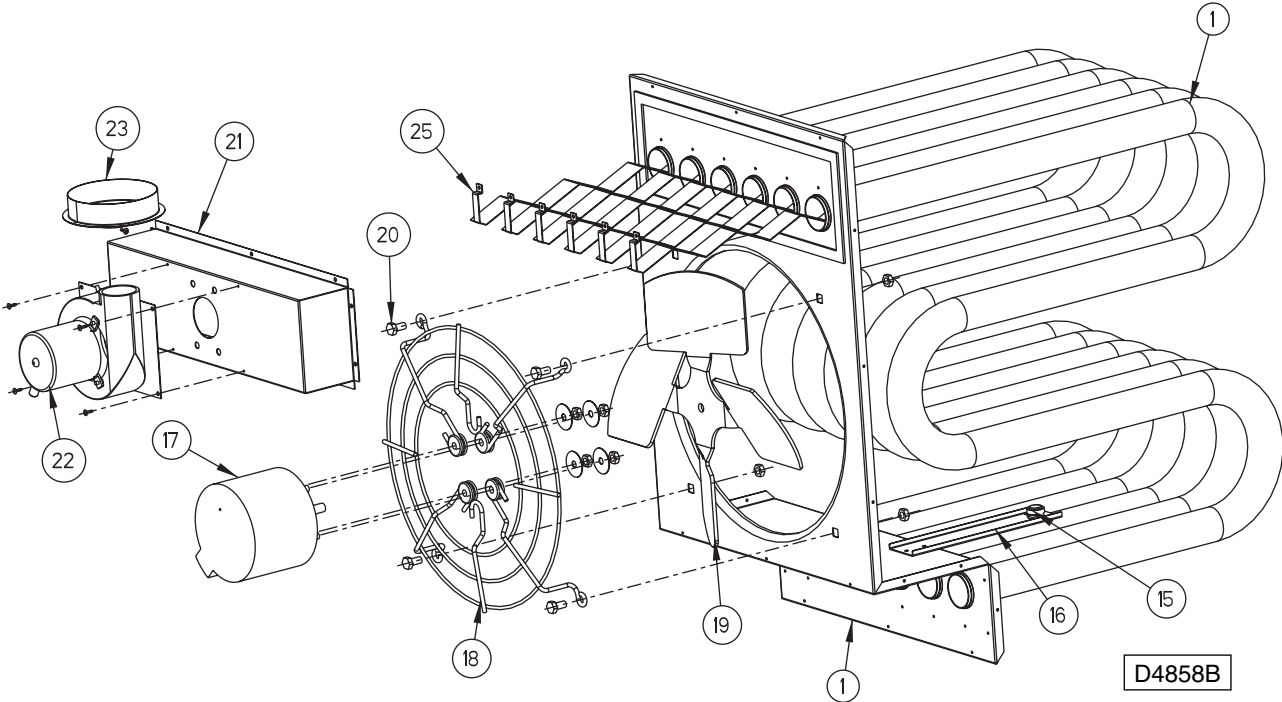


Figure 8 – Rear View



* Item #31 is part of the larger Bottom Jacket Panel & Burner Cover Assembly

Figure 9 – Exploded View - Less Jacketry and Controls



BSF SERIES 100-400 MBH REPLACEMENT PARTS

Figure 10 – Vestibule Panel/Tube Assembly (Heat Exchanger)

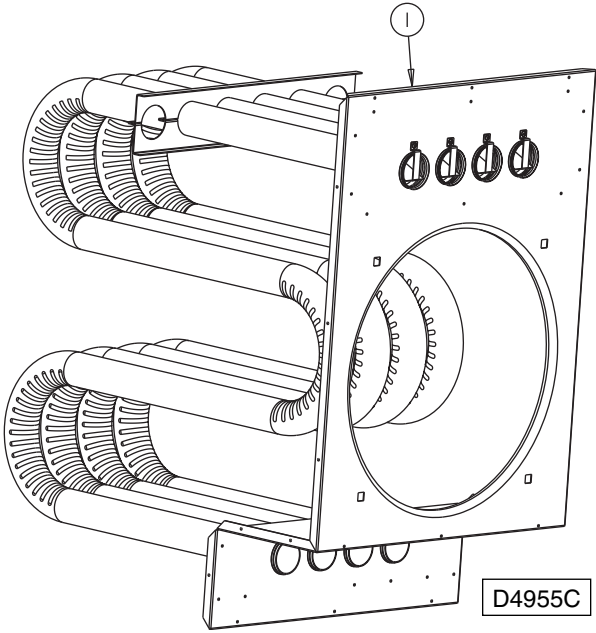


Figure 11 – Electrical Control Panel

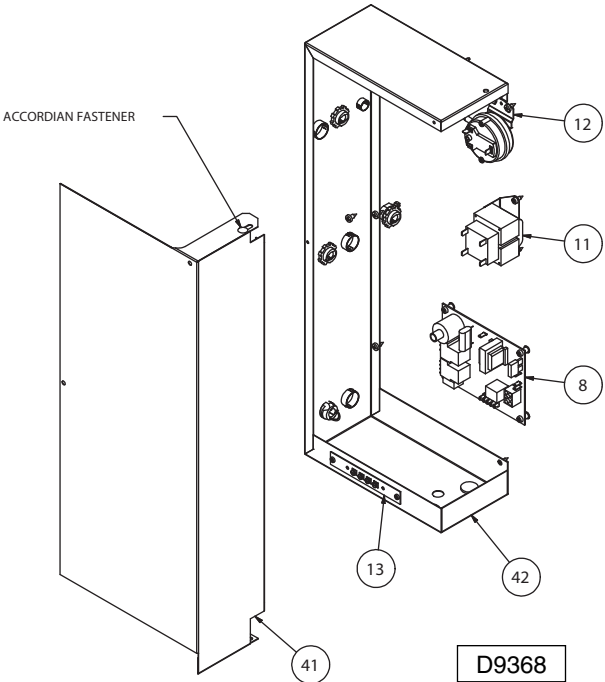
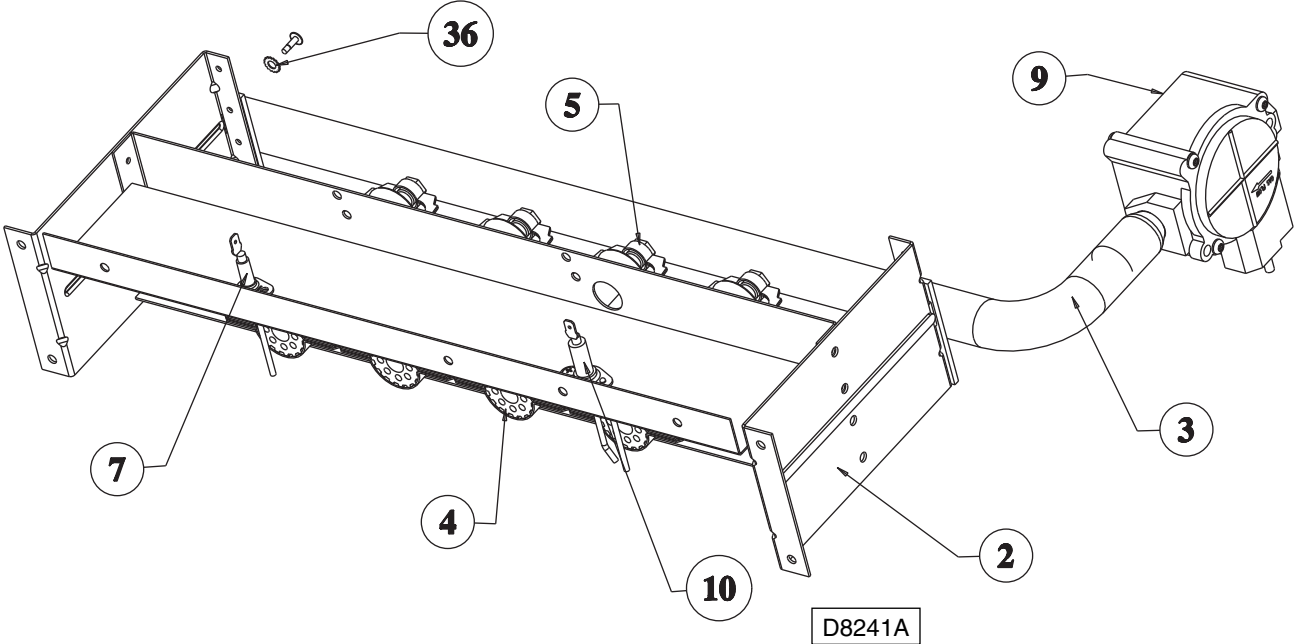


Figure 12 – Manifold Burner Assembly



BSF SERIES 100-400 MBH REPLACEMENT PARTS

ITEM NO.	UNIT CAPACITY (MBH)		100	125
	NO. OF TUBES, TURBULATORS, BURNERS, ORIFICES REQ'D PER MODEL		4	5
	ITEM DESCRIPTION		PART NO.	
1	Vestibule Panel/Tube Ass'y (Heat Exchanger) ¹	Aluminized Steel	507R04567-004	507R04568-004
		409 Stainless Steel	507R04567-104	507R04568-104
2	Manifold Bracket Sub-Ass'y		261R04965-004	
3	Manifold		J37R04277	J37R04278
4	Inshot Burner	Aluminized Steel	J37R03935	J37R03935
		304L Stainless Steel	J37R06754	J37R06754
5	Standard Orifice	Natural Gas (#42)	J36R04694-028	J36R04694-028
		Propane (LP) Gas (#53)	512R08532-013	512R08532-013
7	Flame Sensor		J38R06890-003	
8	Control Board		J28R06881	
9	Direct Spark Gas Valve, Single Stage	Natural Gas	J28R06892-001	
		Propane (LP) Gas	J28R06892-002	
	Direct Spark Gas Valve, Two Stage	Natural Gas	J28R06894-001	
		Propane (LP) Gas	J28R06894-002	
10	Spark Ignitor		J38R06891-001	
11	Transformer, 50 VA, 115/24		J14R03245-012	
12	Air Pressure Switch	Std Alt (0-4,999 ft)	J11R06778-003	
		High Alt (5,000 ft+)	J11R06778-005	
13	Terminal Block Plate		J11R04609	
14	High Limit Switch [Qty. Req'd per Capacity]		J11R00306-002 [1]	
15	High Limit Bracket [Qty. Req'd per Capacity]		252R04469 [1]	
17	Fan Motor [Qty. Req'd per Capacity]	Open Drip Proof	J31R04092-002 [1]	J31R04093-002 [1]
		Totally Enclosed	J31R03086 [1]	J31R01694 [1]
18	Standard Fan Guard [Qty. Req'd per Capacity]		253R01873-001 [1]	
	OSHA Fan Guard [Qty. Req'd per Capacity] Incl. Motor Mounting Plate		M32R06163 [1]	
19	Fan Blade [Qty. Req'd per Capacity]		J34R06999-104 [1]	
20	Fan/Guard/Motor Mount Hardware Kit [Qty. Req'd per Capacity]		261R04963-002 [1]	
21	Flue Collector ³	Aluminized Steel	507R03918-004	507R03918-005
		409 Stainless Steel	507R03918-104	507R03918-105
22	Power Vent (Drafter) Assembly ⁴		J35R04700	
23	Flue Collar Assembly		257R05062	
25	Turbulator ¹		501R03893	501R03893
26	Louver [8 Req'd per Model]		257R04587-108	
27	Louver Spring [8 Req'd per Model]		J26R01960	
28	Right Side Jacket Panel w/ Insulation		251R08909-10R	
29	Left Side Jacket Panel w/ Insulation		251R08909-10L	
30	Top Jacket Panel w/ Insulation		251R06364-004	
31	Bottom Jacket Panel w/ Insulation & Burner Cover Assembly		257R09063-004	
36	Washer (4 per Unit)		J24R00326-005	
38	Separated Combustion Chamber ⁵		257R09056-004	
41	Electrical Control Box Cover		257R08990	
42	Electrical Control Box Base (Wrapper)		257R08991	
N/S	Vinyl Tubing (Pressure Switch)		261R04964-002	
N/S	Green Ground Screw		J21R01287	
N/S	Molex Connector Assembly		J11R06887-001	
N/S	Ignition Cable - 36 Inches Long		J28R06971-002	

Notes:

- Turbulators are included in Vestibule Panel/Tube Assembly (Heat Exchanger).
- If replacing the direct spark gas valve on a 250 MBH unit manufactured before September 23, 2013, choose the gas valve listed above for 300 MBH units.
- When replacing a flue collector, make sure that the flue collector box is sealed completely to the vestibule panel using RTV sealant.
- Unit capacities 100, 125, 150 MBH require power vent mounting plate 507R04876.
- Field assembly required.

LEGEND: N/S - Part Not Shown, N/A - Not Applicable, Opt'l - Optional Equipment

150	175	200	250	300	350	400	ITEM NO.
6	7	8	10	12	14	16	
PART NO.							
507R04569-004	507R04570-004	507R04571-004	507R04572-004	507R04573-004	507R04574-004	507R04575-004	1
507R04569-104	507R04570-104	507R04571-104	507R04572-104	507R04573-104	507R04574-104	507R04575-104	
261R04965-004	261R04965-007			261R04965-012			2
J37R04278	J37R04279		J37R04280	J37R04281	J37R04282	J37R04283	3
J37R03935	J37R03935	J37R03935	J37R03935	J37R03935	J37R03935	J37R03935	4
J37R06754	J37R06754	J37R06754	J37R06754	J37R06754	J37R06754	J37R06754	
J36R04694-028	J36R04694-028	J36R04694-028	J36R04694-028	J36R04694-028	J36R04694-028	J36R04694-028	5
512R08532-013	512R08532-013	512R08532-013	512R08532-013	512R08532-013	512R08532-013	512R08532-013	
J38R06890-003							7
J28R06881							8
J28R06892-001			J28R06892-001 ²		J28R06893-001		9
J28R06892-002			J28R06892-002 ²		J28R06893-002		
J28R06894-001			J28R06894-001 ²		J28R06895-001		
J28R06894-002			J28R06894-002 ²		J28R06895-002		
J38R06891-001							10
J14R03245-012							11
J11R06778-003	J11R06778-004			J11R06778-003			12
J11R06778-005	J11R06778-006			J11R06778-005			
J11R04609							13
J11R00306-002 [1]				J11R00306-002 [2]			14
252R04469 [1]				252R04469 [2]			15
J31R04093-002 [1]	J31R04094-002 [1]			J31R04093-002 [2]	J31R04094-002 [2]		17
J31R01694 [1]				J31R01694 [2]			
253R01873-001 [1]	253R01874-001 [1]			253R01873-001 [2]	253R01874-001 [2]		18
M32R06163 [1]	M32R08291 [1]			M32R06163 [2]	M32R08291 [2]		
J34R06999-104 [1]	J34R06999-105 [1]	J34R06999-112 [1]		J34R06999-104 [2]	J34R06999-105 [2]	J34R06999-112 [2]	19
261R04963-002 [1]				261R04963-002 [2]			20
507R03918-006	507R03920-007	507R03920-008	507R03920-010	507R03922-012	507R03922-014	507R08997-016	21
507R03918-106	507R03920-107	507R03920-108	507R03920-110	507R03922-112	507R03922-114	507R08997	
J35R04700	J35R04581			507R04595			22
257R05062	507R04532			507R04600			23
501R03893	501R03893	501R03893	501R03893	501R03893	501R03893	501R03893	25
257R04587-108	257R04587-109			257R04587-110			26
J26R01960							27
251R08909-10R							28
251R08909-10L							29
251R06364-004	251R06364-007			251R06364-012			30
257R09063-004	257R09063-007			257R09063-012			31
J24R00326-005							36
257R09056-004				257R09056-010			38
257R08990							41
257R08991							42
261R04964-002	261R04964-003			261R04964-004			N/S
J21R01287							N/S
J11R06887-001							N/S
J28R06971-002							N/S

BTC SERIES 100-400 MBH REPLACEMENT PARTS

Figure 13 – Front View

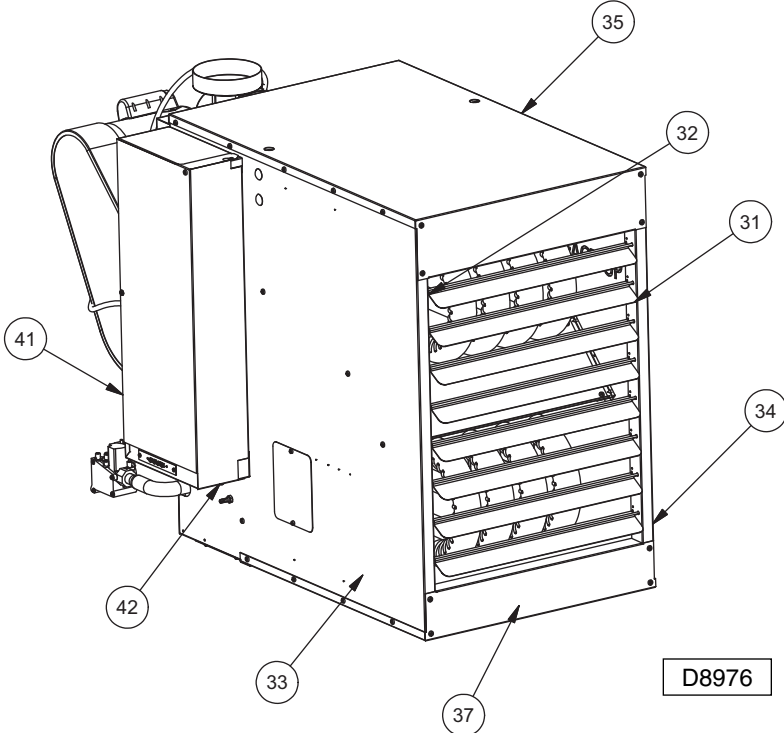
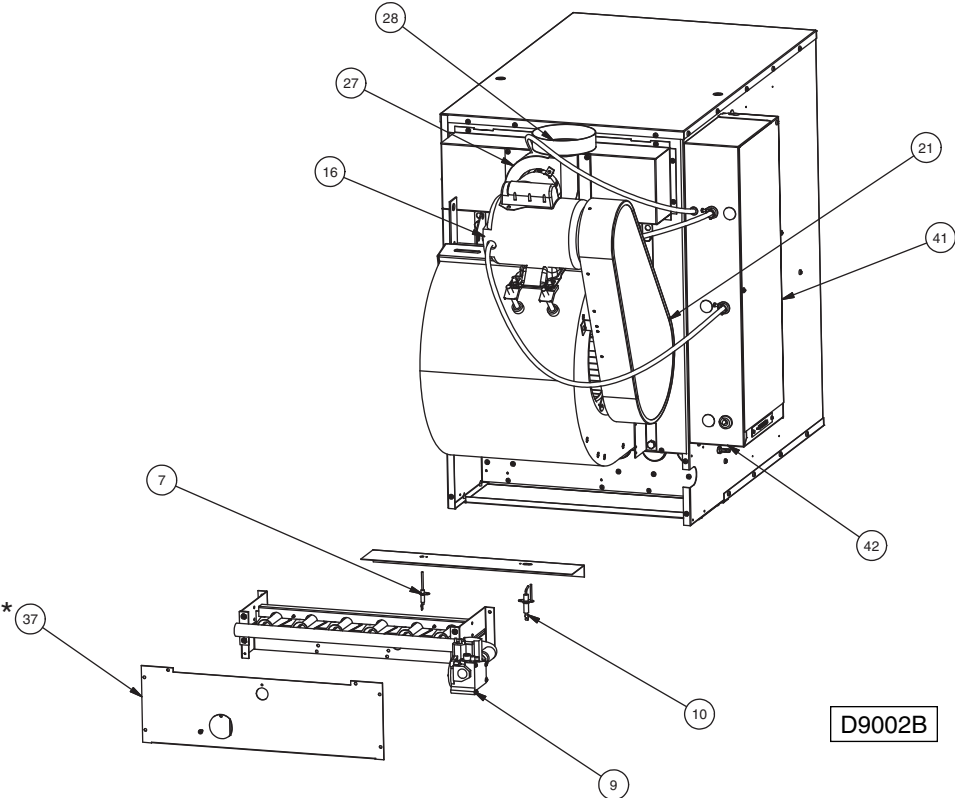


Figure 14 – Rear View



* Item #37 is part of the larger Bottom Jacket Panel & Burner Cover Assembly

BSC SERIES 100-400 MBH REPLACEMENT PARTS

Figure 15 – Front View

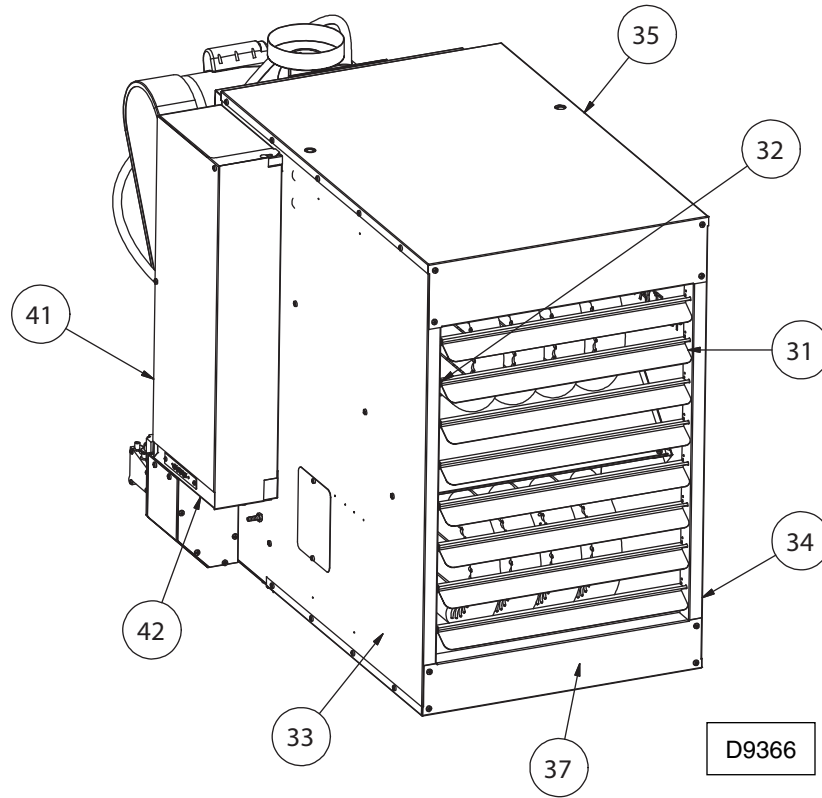
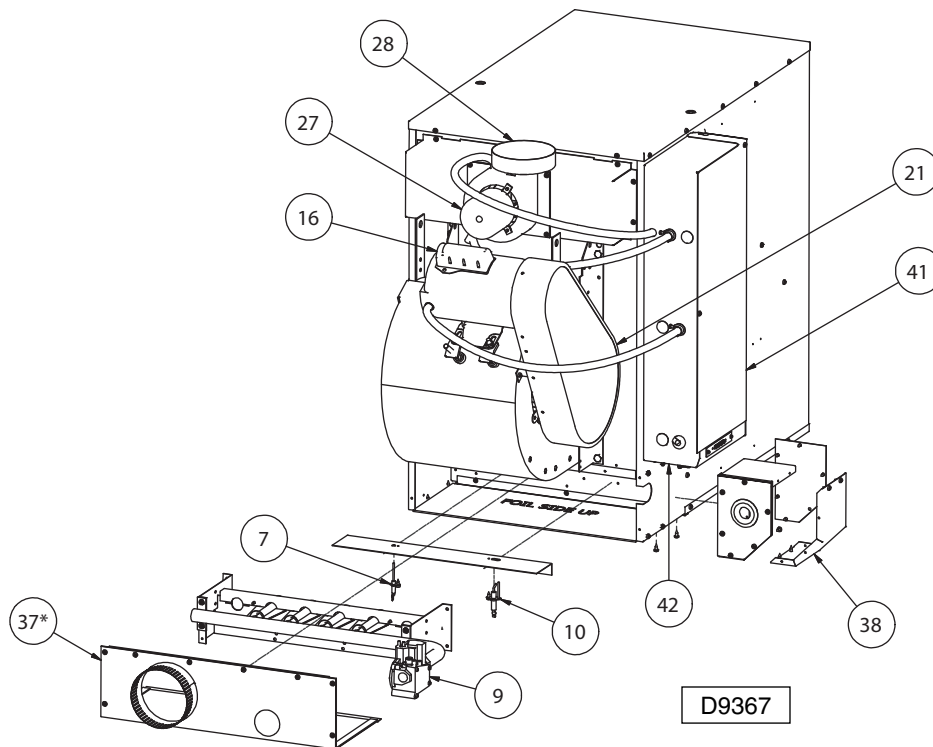


Figure 16 – Rear View



* Item #37 is part of the larger Bottom Jacket Panel & Burner Cover Assembly

BTC, BSC SERIES 100-400 MBH REPLACEMENT PARTS

Figure 17 – Exploded View - Less Jacketry and Controls, Single Blower

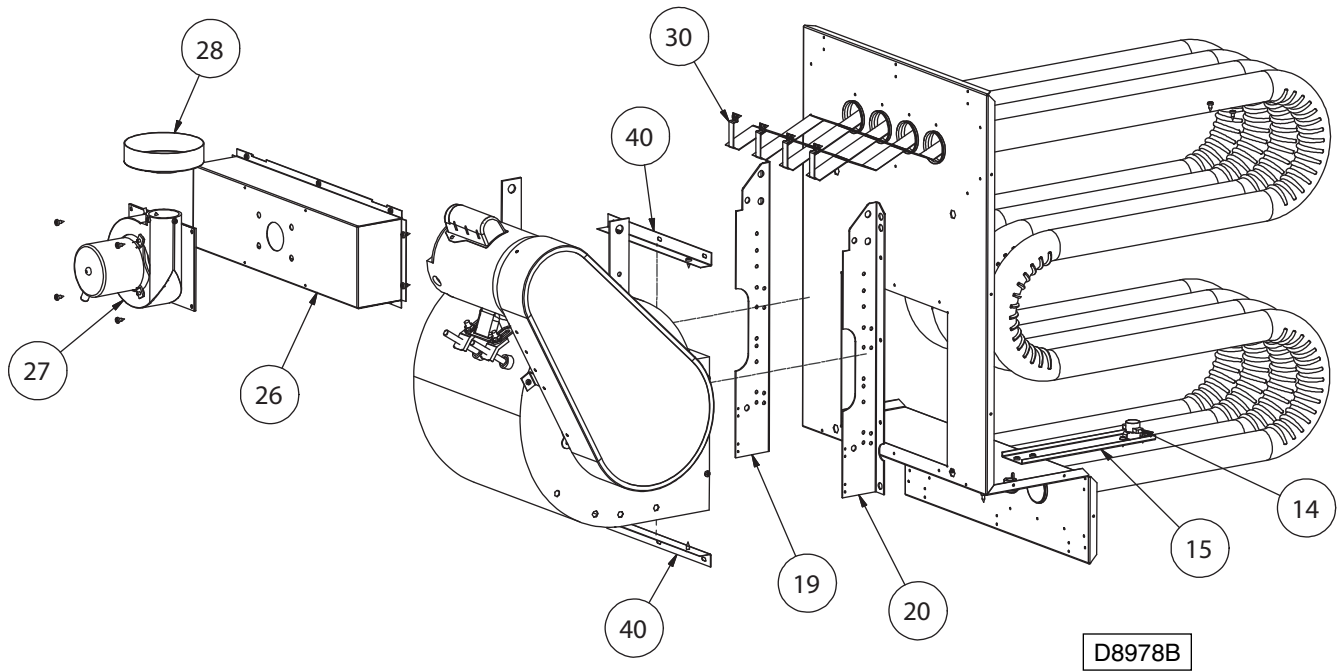
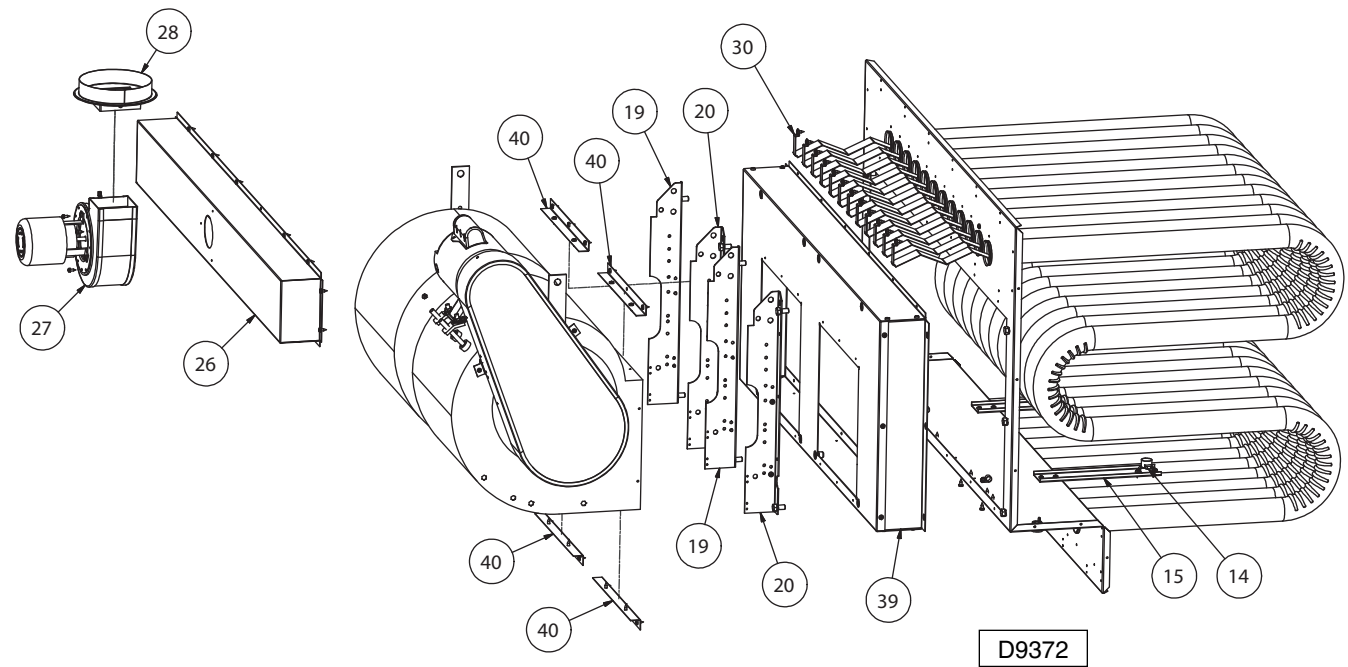


Figure 18 – Exploded View - Less Jacketry and Controls, Dual Blower



BTC, BSC SERIES 100-400 MBH REPLACEMENT PARTS

Figure 19 – Vestibule Panel/Tube Assembly
(Heat Exchanger)

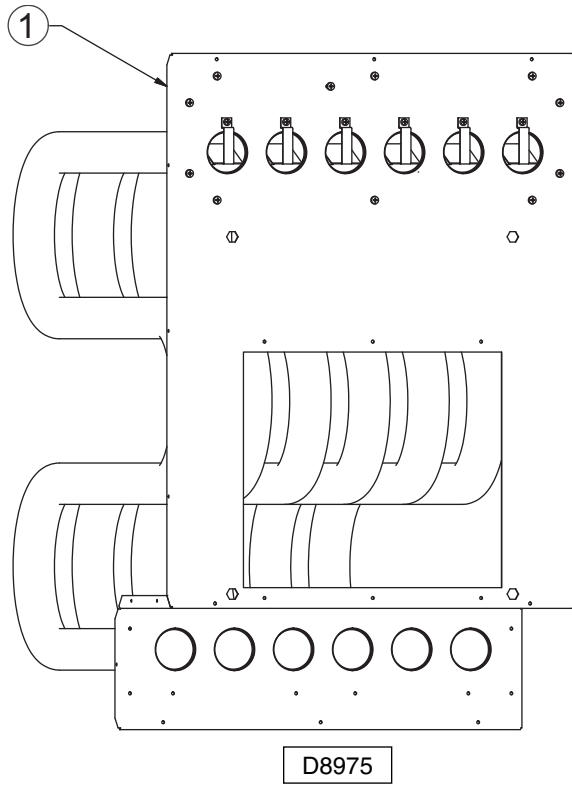


Figure 20 – Electrical Control Panel

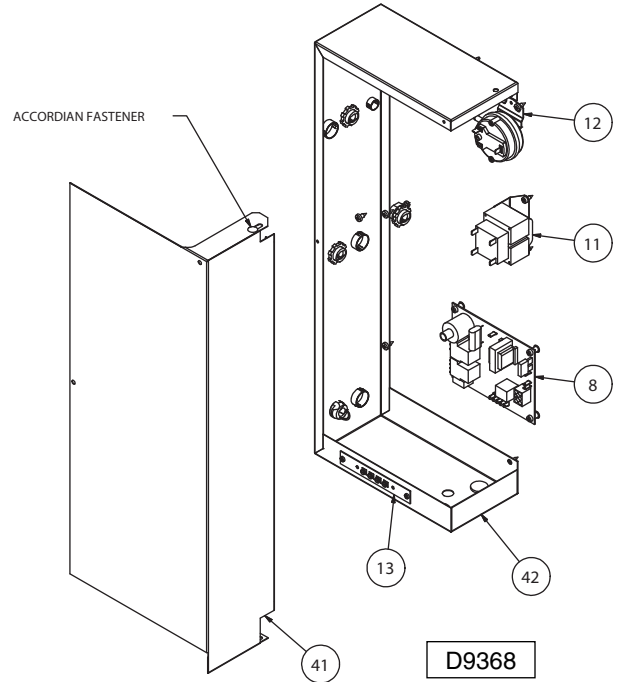


Figure 21 – Manifold Burner Assembly

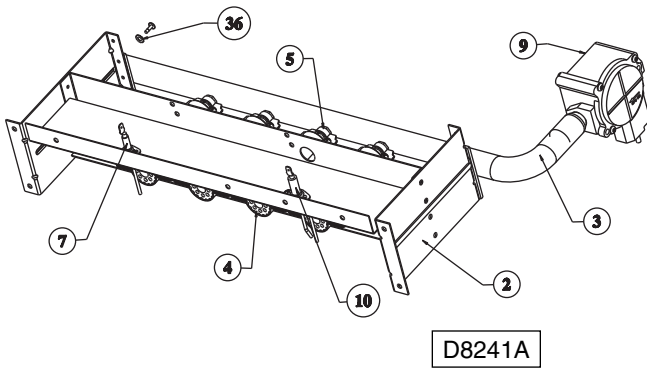
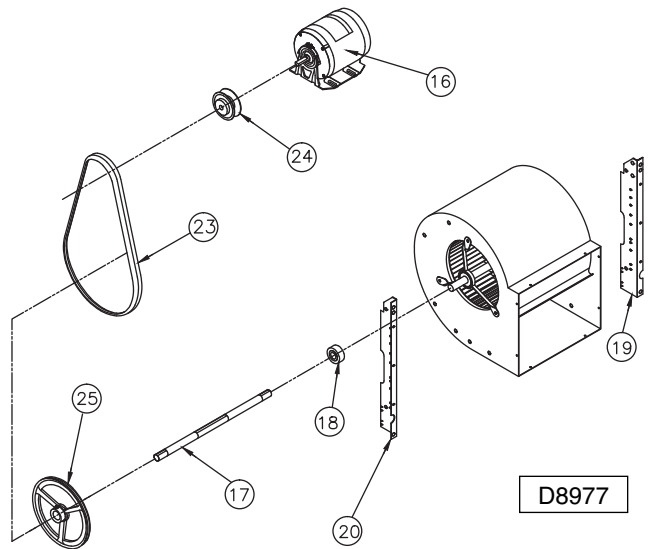


Figure 22 – Blower Assembly



BTC, BSC SERIES 100-400 MBH REPLACEMENT PARTS

ITEM NO.	UNIT CAPACITY (MBH)				100	125
	NO. OF TUBES, TURBULATORS, BURNERS, ORIFICES REQ'D PER CAPACITY				4	5
	ITEM DESCRIPTION			BTC	BSC	PART NO.
1	Vestibule Panel/Tube Ass'y (Heat Exchanger) ¹	Aluminized Steel	X	X	507R08900-004	507R08900-005
		409 Stainless Steel	Opt'l	Opt'l	507R08900-104	507R08900-105
2	Manifold Bracket Sub-Ass'y		X	X	261R04965-004	
3	Manifold		X	X	J37R04277	J37R04278
4	Inshot Burner	Aluminized Steel	X	X	J37R03935	J37R03935
		304L Stainless Steel	Opt'l	Opt'l	J37R06754	J37R06754
5	Standard Orifice	Natural Gas (#42)	X	X	J36R04694-028	J36R04694-028
		Propane (LP) Gas (#53)	Opt'l	Opt'l	512R08532-013	512R08532-013
7	Flame Sensor		X	X	J38R06890-003	
8	Control Board		X	X	J28R06881	
9	Direct Spark Gas Valve, Single Stage ²	Natural Gas	X	X	J28R06892-001	
		Propane (LP) Gas	Opt'l	Opt'l	J28R06892-002	
	Direct Spark Gas Valve, Two Stage ²	Natural Gas	Opt'l	Opt'l	J28R06894-001	
		Propane (LP) Gas	Opt'l	Opt'l	J28R06894-002	
10	Spark Ignitor		X	X	J38R06891-001	
11	Transformer, 50 VA, 115/24		X	X	J14R03245-012	
12	Air Pressure Switch	Std Alt (0-4,999 ct)	X	N/A	J11R06779-001	
		High Alt (5,000 ft+)	Opt'l	N/A	J11R06780-001	
		Std Alt (0-4,999 ft)	N/A	X	J11R06778-003	
		High Alt (5,000 ft+)	N/A	Opt'l	J11R06778-005	
13	Terminal Block Plate		X	X	J11R04609	
14	High Limit Switch [Qty Req'd per Capacity]		X	X	J11R00306-002 [1]	
15	High Limit Bracket [Qty Req'd per Capacity]		X	X	252R04469 [1]	
16	Blower Motor		X	X	See Page 20 - Blower Motors	
	Blower Assembly ³ [Qty Req'd]		X	X	J35R08621 [1]	J35R08622 [1]
17	Blower Shaft ⁴		X	X	Avail as Kit only	J35R00540-002
18	Main Bearing ⁴ [Qty Req'd]		X	X	Avail as Kit only	J42R00433-008 [2]
19	Blower Housing Support (LH)		X	X	252R03490-001	
20	Blower Housing Support (RH)		X	X	252R03490-002	
21	Belt Guard		X	X	253R04403-001	253R04403-002
23	V-Belt Standard		X	X	J47RA47	J47RA41
24	Drive Pulley (Standard) - A.K.A. Motor Sheave		X	X	J35R1VL44X1/2	J35R1VL44X5/8
25	Driven Pulley (Standard) - A.K.A. Blower Pulley		X	X	J35RAL84X3/4K	
26	Flue Collector ⁵	Aluminized Steel	X	N/A	507R03918-004	507R03918-005
		409 Stainless Steel	Opt'l	N/A	507R03918-104	507R03918-105
		Aluminized Steel	N/A	X	507R03918-004	507R03918-005
		409 Stainless Steel	N/A	Opt'l	507R03918-104	507R03918-105
27	Power Venter Assembly ⁶		X	X	J35R04700	
28	Flue Collar Assembly		X	X	257R05062	
30	Turbulator ¹		X	X	501R03893	501R03893
31	Louver [8 Req'd per Capacity]		X	X	257R04587-108	
32	Louver Spring [8 Req'd per Capacity]		X	X	J26R01960	
33	Right Side Jacket Panel w/ Insulation		X	X	251R08909-10R	
34	Left Side Jacket Panel w/ Insulation		X	X	251R08909-10L	
35	Top Jacket Panel w/ Insulation		X	X	251R06364-004	
37	Bottom Jacket Panel w/ Insulation & Burner Cover Assembly		X	X	257R09063-004	
38	Separated Combustion Chamber ⁷		N/A	X	257R09056-004	
39	Blower Mounting Extension Assembly		X	X	N/A	
40	Blower Block Off Bracket [Qty Req'd]		X	X	252R08921 [2]	252R08922 [2]
41	Electrical Control Box Cover		X	X	257R08990	
42	Electrical Control Box Base (Wrapper)		X	X	257R08991	
36	Washer [4 per Unit]		X	X	J24R00326-005	
N/S	Green Ground Screw		X	X	J21R01287	
N/S	Vinyl Tubing (Pressure Switch)		X	X	261R04964-002	
N/S	Molex Connector Assembly		X	X	J11R06887-001	
N/S	Ignition Cable - 36 Inches Long		X	X	J28R06971-002	

Notes:

- Turbulators are included in Vestibule Panel/Tube Assembly (Heat Exchanger).
- If replacing the direct spark gas valve on a 250 MBH unit manufactured before September 23, 2013, choose the gas valve listed above for 300 MBH units.
- Blower Assembly includes housing, wheel, and bearing (spider) brackets. J35R08621 also includes shaft and bearings.
- Blower Assembly parts not sold separately for 100 MBH units.
- When replacing a flue collector, make sure that the flue collector box is sealed completely to the vestibule panel using RTV sealant.
- Unit capacities 100, 125, 150 MBH require power vent mounting plate 507R04876.
- Field assembly required.

LEGEND: N/S - Part Not Shown, N/A - Not Applicable, Opt'l - Optional Equipment

150	175	200	250	300	350	400	ITEM NO.
6	7	8	10	12	14	16	
PART NO.							
507R08900-006	507R08900-007	507R08900-008	507R08900-010	507R08900-012	507R08900-014	507R08900-016	1
507R08900-106	507R08900-107	507R08900-108	507R08900-110	507R08900-112	507R08900-114	507R08900-116	
261R04965-004	261R04965-007		261R04965-012				2
J37R04278	J37R04279		J37R04280	J37R04281	J37R04282	J37R04283	3
J37R03935	J37R03935	J37R03935	J37R03935	J37R03935	J37R03935	J37R03935	4
J37R06754	J37R06754	J37R06754	J37R06754	J37R06754	J37R06754	J37R06754	
J36R04694-028	J36R04694-028	J36R04694-028	J36R04694-028	J36R04694-028	J36R04694-028	J36R04694-028	5
512R08532-013	512R08532-013	512R08532-013	512R08532-013	512R08532-013	512R08532-013	512R08532-013	
J38R06890-003							7
J28R06881							8
J28R06892-001				J28R06893-001			9
J28R06892-002				J28R06893-002			
J28R06894-001				J28R06895-001			
J28R06894-002				J28R06895-002			
38R06891-001							10
J14R03245-012							11
J11R06779-001	J11R06779-002			J11R06779-001			12
J11R06780-001	J11R06780-002			J11R06780-001			
J11R06778-003	J11R06778-004			J11R06778-003			
J11R06778-005	J11R06778-006			J11R06778-005			
J11R04609							13
J11R00306-002 [1]				J11R00306-002 [2]			14
252R04469 [1]				252R04469 [2]			15
See Page 20 - Blower Motors							16
J35R08622 [1]	J35R08623 [1]			J35R08622 [2]	J35R08623 [2]		
J35R00540-002	J35R00540-003			J35R01974	J35R01975		17
J42R00433-008 [2]	J42R00433-009 [2]			J42R00433-008 [3]	J42R00433-009 [3]		18
252R03490-001							19
252R03490-002							20
253R04403-002	253R04403-003			253R04403-002	253R04403-003		21
J47RA47	J47RA43			J47RA41	J47RA44	J47RA46	23
J35R1VL44X5/8	J35R1VL34X5/8		J35R1VL44X5/8			J35R1VL34X5/8	24
J35RAL84X3/4K	J35RAL84X1			J35RAL84X3/4K	J35RAL84X1KEY		25
507R03918-006	507R03920-007	507R03920-008	507R03920-010	507R03922-012	507R03922-014	507R03922-016	26
507R03918-106	507R03920-107	507R03920-108	507R03920-110	507R03922-112	507R03922-114	507R03922-116	
507R03918-006	507R03920-007	507R03920-008	507R03920-010	507R03922-012	507R03922-014	507R08997-016	
507R03918-106	507R03920-107	507R03920-108	507R03920-110	507R03922-112	507R03922-114	507R08997	
J35R04700	J35R04581			507R04595			27
257R05062	507R04532			507R04600			28
501R03893	501R03893	501R03893	501R03893	501R03893	501R03893	501R03893	30
257R04587-108	257R04587-109			257R04587-110			31
J26R01960							32
251R08909-10R							33
251R08909-10L							34
251R06364-004	251R06364-007			251R06364-012			35
257R09063-004	257R09063-007			257R09063-012			37
257R09056-004				257R09056-010			38
N/A	510R08841-007			510R08841-012	510R08841-014		39
252R08922 [2]	252R08923 [2]			252R08922 [4]	252R08923 [4]		40
257R08990							41
257R08991							42
J24R00326-005							36
J21R01287							N/S
261R04964-002	261R04964-003			261R04964-004			N/S
J11R06887-001							N/S
J28R06971-002							N/S

BTC, BSC SERIES 100-400 MBH REPLACEMENT PARTS BLOWER MOTORS

All replacement blower motor part numbers: J31R00XXX-XXX

Complete the part number by making appropriate selection below.

[SV] Supply Voltage		[1] - 115/1/60				[2] - 208/1/60				[3] - 230/1/60			
[MT] Motor Type		[1] ODP	[2] TE	[3] PEODP	[4] PETE	[1] ODP	[2] TE	[3] PEODP	[4] PETE	[1] ODP	[2] TE	[3] PEODP	[4] PETE
[MS] Motor Size	1/4 HP	101-001	201-001	301-001	401-001	101-002	201-002	N/A	401-001	101-002	201-001	301-003	401-001
	1/2 HP	103-001	203-001	303-001	403-001	103-002	203-001	303-001	N/A	103-002	203-001	303-001	403-001
	3/4 HP	104-001	204-001	304-001	404-001	104-002	204-001	304-001	N/A	104-002	204-001	304-001	404-001
	1 HP	105-001	205-001	305-001	405-001	105-001	205-001	N/A	N/A	105-001	205-001	305-001	405-001
	1-1/2 HP	106-001	206-001	306-001	406-001	106-001	206-001	N/A	N/A	106-001	206-001	306-001	406-001
	2 HP	107-001	207-001	307-001	407-001	107-002	207-001	N/A	N/A	107-001	207-003	307-001	407-001
[SV] Supply Voltage		[4] - 208/3/60				[5] - 230/3/60				Motor Type [MT] Legend: ODP - Open Drip Proof TE - Totally Enclosed PEODP - Premium Efficiency Open Drip Proof PETE - Premium Efficiency Totally Enclosed			
[MT] Motor Type		[1] ODP	[2] TE	[3] PEODP	[4] PETE	[1] ODP	[2] TE	[3] PEODP	[4] PETE				
[MS] Motor Size	1/4 HP	101-004	201-004	N/A	N/A	101-004	201-004	N/A	N/A				
	1/2 HP	103-004	203-004	303-004	403-004	103-004	203-004	303-004	403-004				
	3/4 HP	104-004	204-004	304-004	N/A	104-004	204-004	304-004	404-005				
	1 HP	105-004	205-004	305-004	405-004	105-004	205-004	305-004	405-004				
	1-1/2 HP	106-004	206-004	306-004	406-004	106-004	206-004	306-004	406-005				
	2 HP	107-004	N/A	307-004	407-004	107-004	N/A	307-004	407-004				
[SV] Supply Voltage		[6] - 460/3/60				[7] - 575/3/60							
[MT] Motor Type		[1] ODP	[2] TE	[3] PEODP	[4] PETE	[1] ODP	[2] TE	[3] PEODP	[4] PETE				
[MS] Motor Size	1/4 HP	101-004	201-006	N/A	N/A	N/A	N/A	N/A	N/A				
	1/2 HP	103-004	203-004	303-006	403-004	103-007	203-007	N/A	N/A				
	3/4 HP	104-004	204-004	304-004	404-005	104-007	204-007	N/A	N/A				
	1 HP	105-004	205-004	305-004	405-004	105-007	205-007	305-007	405-007				
	1-1/2 HP	106-004	206-004	306-004	406-005	106-007	N/A	306-007	406-007				
	2 HP	107-006	N/A	307-006	407-006	N/A	N/A	307-007	407-007				

Note: All motors supplied with CONTACTOR ONLY [MS = A, C, D, F, G, H] use contactor J10R06276-015

BTC, BSC SERIES 100-400 MBH REPLACEMENT PARTS MAGNETIC STARTER COMPONENTS

Note: Magnetic Starters consist of a contactor and overload relay.

[SV] Supply Voltage	HP	[MT] Motor Type							
		[1] ODP		[2] TE		[3] PEODP		[4] PETE	
		Contactor	Overload	Contactor	Overload	Contactor	Overload	Contactor	Overload
[1] 115/1/60	1/4	J10R06276-015	J10R06277-022	J10R06276-015	J10R06277-021	J10R06276-015	J10R06277-021	J10R06276-015	J10R06277-021
	1/2	J10R06276-015	J10R06277-022	J10R06276-015	J10R06277-022	J10R06276-015	J10R06277-022	J10R06276-015	J10R06277-021
	3/4	J10R06276-015	J10R06277-022	J10R06276-015	J10R06277-022	J10R06276-015	J10R06277-022	J10R06276-015	J10R06277-022
	1	J10R06276-015	J10R06277-022	J10R06276-015	J10R06277-022	J10R06276-015	J10R06277-022	J10R06276-015	J10R06277-022
	1-1/2	J10R06276-015	J10R06277-022	J10R06276-015	J10R06277-022	J10R06276-015	J10R06277-022	J10R06276-015	J10R06277-022
	2	J10R06276-015	J10R06277-023	J10R06276-015	J10R06277-023	J10R06276-015	J10R06277-022	J10R06276-015	J10R06277-022
[2] 208/1/60	1/4	J10R06276-015	J10R06277-021	J10R06276-015	J10R06277-021	N/A	N/A	J10R06276-015	J10R06277-021
	1/2	J10R06276-015	J10R06277-021	J10R06276-015	J10R06277-022	J10R06276-015	J10R06277-021	N/A	N/A
	3/4	J10R06276-015	J10R06277-022	J10R06276-015	J10R06277-022	J10R06276-015	J10R06277-022	N/A	N/A
	1	J10R06276-015	J10R06277-022	J10R06276-015	J10R06277-022	N/A	N/A	N/A	N/A
	1-1/2	J10R06276-015	J10R06277-022	J10R06276-015	J10R06277-022	N/A	N/A	N/A	N/A
	2	J10R06276-015	J10R06277-022	J10R06276-015	J10R06277-023	N/A	N/A	N/A	N/A
[3] 230/1/60	1/4	J10R06276-015	J10R06277-021	J10R06276-015	J10R06277-021	J10R06276-015	J10R06277-021	J10R06276-015	J10R06277-021
	1/2	J10R06276-015	J10R06277-021	J10R06276-015	J10R06277-022	J10R06276-015	J10R06277-021	J10R06276-015	J10R06277-021
	3/4	J10R06276-015	J10R06277-022	J10R06276-015	J10R06277-022	J10R06276-015	J10R06277-022	J10R06276-015	J10R06277-021
	1	J10R06276-015	J10R06277-022	J10R06276-015	J10R06277-022	J10R06276-015	J10R06277-022	J10R06276-015	J10R06277-022
	1-1/2	J10R06276-015	J10R06277-022	J10R06276-015	J10R06277-022	J10R06276-015	J10R06277-022	J10R06276-015	J10R06277-022
	2	J10R06276-015	J10R06277-023	J10R06276-015	J10R06277-022	J10R06276-015	J10R06277-022	J10R06276-015	J10R06277-022
[4] 208/3/60	1/4	J10R06276-015	J10R06277-021	J10R06276-017	J10R06277-025	N/A	N/A	N/A	N/A
	1/2	J10R06276-015	J10R06277-021	J10R06276-015	J10R06277-021	J10R06276-015	J10R06277-021	J10R06276-015	J10R06277-021
	3/4	J10R06276-015	J10R06277-021	J10R06276-015	J10R06277-021	J10R06276-015	J10R06277-021	N/A	N/A
	1	J10R06276-015	J10R06277-021	J10R06276-015	J10R06277-021	J10R06276-015	J10R06277-021	J10R06276-015	J10R06277-021
	1-1/2	J10R06276-015	J10R06277-022	J10R06276-015	J10R06277-021	J10R06276-015	J10R06277-021	J10R06276-015	J10R06277-022
	2	J10R06276-015	J10R06277-022	N/A	N/A	J10R06276-015	J10R06277-022	J10R06276-015	J10R06277-022
[5] 230/3/60	1/4	J10R06276-015	J10R06277-021	J10R06276-017	J10R06277-025	N/A	N/A	N/A	N/A
	1/2	J10R06276-015	J10R06277-021	J10R06276-015	J10R06277-021	J10R06276-015	J10R06277-021	J10R06276-015	J10R06277-021
	3/4	J10R06276-015	J10R06277-021	J10R06276-015	J10R06277-021	J10R06276-015	J10R06277-021	J10R06276-015	J10R06277-021
	1	J10R06276-015	J10R06277-021	J10R06276-015	J10R06277-021	J10R06276-015	J10R06277-021	J10R06276-015	J10R06277-021
	1-1/2	J10R06276-015	J10R06277-022	J10R06276-015	J10R06277-021	J10R06276-015	J10R06277-021	J10R06276-015	J10R06277-021
	2	J10R06276-015	J10R06277-022	N/A	N/A	J10R06276-015	J10R06277-022	J10R06276-015	J10R06277-022
[6] 460/3/60	1/4	J10R06276-017	J10R06277-025	J10R06276-017	J10R06277-025	N/A	N/A	N/A	N/A
	1/2	J10R06276-015	J10R06277-021	J10R06276-015	J10R06277-021	J10R06276-017	J10R06277-025	J10R06276-015	J10R06277-021
	3/4	J10R06276-015	J10R06277-021	J10R06276-015	J10R06277-021	J10R06276-015	J10R06277-021	J10R06276-015	J10R06277-021
	1	J10R06276-015	J10R06277-021	J10R06276-015	J10R06277-021	J10R06276-015	J10R06277-021	J10R06276-015	J10R06277-021
	1-1/2	J10R06276-015	J10R06277-022	J10R06276-015	J10R06277-021	J10R06276-015	J10R06277-021	J10R06276-015	J10R06277-021
	2	J10R06276-015	J10R06277-021	N/A	N/A	J10R06276-015	J10R06277-021	J10R06276-015	J10R06277-021
[7] 575/3/60	1/4	N/A	N/A	N/A	N/A	N/A	N/A	N/A	N/A
	1/2	J10R06276-017	J10R06277-025	J10R06276-017	J10R06277-025	N/A	N/A	N/A	N/A
	3/4	J10R06276-015	J10R06277-021	J10R06276-015	J10R06277-021	N/A	N/A	N/A	N/A
	1	J10R06276-015	J10R06277-021	J10R06276-015	J10R06277-021	J10R06276-015	J10R06277-021	J10R06276-015	J10R06277-021
	1-1/2	J10R06276-015	J10R06277-021	N/A	N/A	J10R06276-015	J10R06277-021	J10R06276-015	J10R06277-021
	2	N/A	N/A	N/A	N/A	J10R06276-015	J10R06277-021	J10R06276-015	J10R06277-021

Motor Type [MT] Legend:

ODP - Open Drip Proof

TE - Totally Enclosed

PEODP - Premium Efficiency Open Drip Proof

PETE - Premium Efficiency Totally Enclosed

BTD SERIES

TUBULAR GAS FIRED DUCT FURNACE

UNIT NUMBER DESCRIPTION

Digit	T	X	X	X	1	2	3	4	5	6	7	8	9	10	11	12	13	14	15	+
Item	Prefix				UT		CA		FT	FM	GT	AL	GC	SV	MT	MS	DL	AS		

(Internal Use Only)

1, 2 - Unit Type [UT]
BTD - Tubular Duct Furnace

3, 4, 5 - Capacity [CA]
100 - 100,000 BTU/HR
150 - 150,000 BTU/HR
200 - 200,000 BTU/HR
250 - 250,000 BTU/HR
300 - 300,000 BTU/HR
350 - 350,000 BTU/HR
400 - 400,000 BTU/HR

6 - Furnace Type [FT]
A - Left Side Access
Note: Field convertible to right side access; refer to unit installation instructions.

7 - Heat Exchanger (Furnace) Material [FM]
1 - Standard (Aluminized) Steel
2 - 409 Stainless Steel
Note: Heat Exchanger Material [FM] selection includes flue collector material.

8 - Gas Type [GT]
N - Natural Gas
P - Propane Gas (LP)

9 - Altitude [AL]
S - 0-4,999 ft.
T - 5,000-11,999 ft.
Note: Installations over 2,000 ft. require gas input deration in the field. Refer to unit installation instructions.

10 - Direct Spark Gas Control [GC]
1 - Single Stage
2 - Two Stage
3 - Electronic Modulation w/Room Sensing
4 - Electronic Modulation w/Duct Sensing
5 - Electronic Modulation w/Duct Sensing & Room Ovrd. Stat
6 - Electronic Modulation w/External 4-20 mA Input
7 - Electronic Modulation w/External 0-10 VDC Input

11 - Supply Voltage [SV]
1 - 115/1/60 **5** - 230/3/60
2 - 208/1/60 **6** - 460/3/60
3 - 230/1/60 **7** - 575/3/60
4 - 208/3/60 **Z** - Special
Note: Supply Voltages [SV] 2-7 include field mounted step down transformer.

12 - Motor Type [MT]
0 - Not applicable

13 - Blower Motor Sizes [MS]
0 - Not applicable

14 - Design Level [DL]
A - First Design Level

15+ - Accessories [AS]

FACTORY INSTALLED
P4 - Terminal Block Wiring
P6 - Summer/Winter Switch

S5 - 409 Stainless Steel Burners

† **FIELD INSTALLED (AS-____)**
 † **All Field Installed Accessories are to be entered as a separate line item using catalog number which utilizes "AS" as a prefix x. i.e: G3 becomes AS-G3.**

A7 - High Pressure Regulator
A7- 1/2-1 Regulator for 0.5-10 PSI
A7- 3/8-1 Regulator for 10-20 PSI
A7- 5/16-1 Regulator for 20-35 PSI

F1 - 1-Stage T675A Ductstat
F2 - 2-Stage T678A Ductstat

G1 - 1-Stage T87K Mercury Free Thermostat w/Subbase Kit
G2 - 1-Stage T87K Mercury Free Thermostat w/TG511A Guard Kit
G3 - 1-Stage T834N Mercury Free Thermostat/Fan Switch
G5 - 2-Stage TH5220D Mercury Free Thermostat w/Subbase
G6 - Locking Thermostat Cover
G8 - 1-Stage T6169C Line Voltage Thermostat w/Subbase
G9 - 1-Stage T822K Mercury Free Thermostat

H5 - Low Ambient Control

M2-2 - Vent Caps (5") (Capacity 100-200)
M2-3 - Vent Caps (6") (Capacity 250-400)

P5 - 24V SPST Relay-Specify Purpose

S4 - Stainless Steel Drip Pan

X5 - Horizontal and Vertical Louver Kit
X8-H5 - Horiz. Combustion Air Inlet Kit, 5 inch (Capacity 100-200)
X8-H6 - Horiz. Combustion Air Inlet Kit, 6 inch (Capacity 250-400)
X8-V5 - Vert. Combustion Air Inlet Kit, 5 inch (Capacity 100-200)
X8-V6 - Vert. Combustion Air Inlet Kit, 6 inch (Capacity 250-400)
X9-DBL-5 - Air Inlet Kit, 5 inch (Capacity 100-200)
X9-DBL-6 - Air Inlet Kit, 6 inch (Capacity 250-400)

BTD SERIES 100-400 MBH REPLACEMENT PARTS

Figure 23 – Exploded View

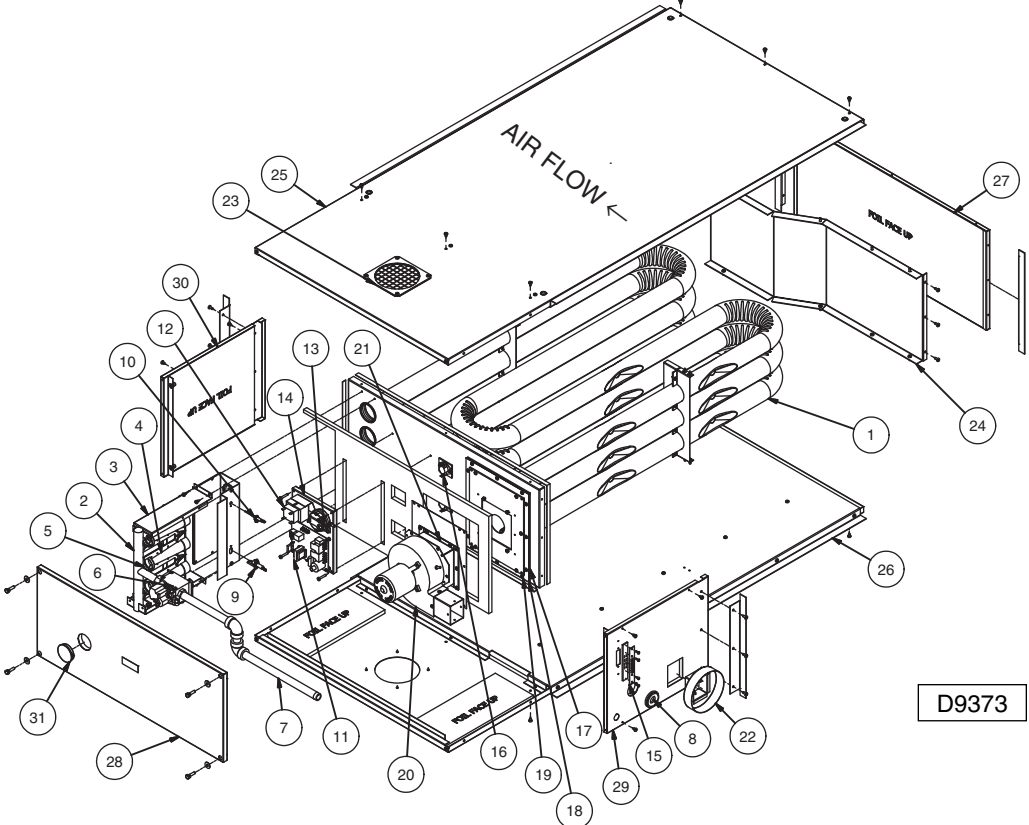
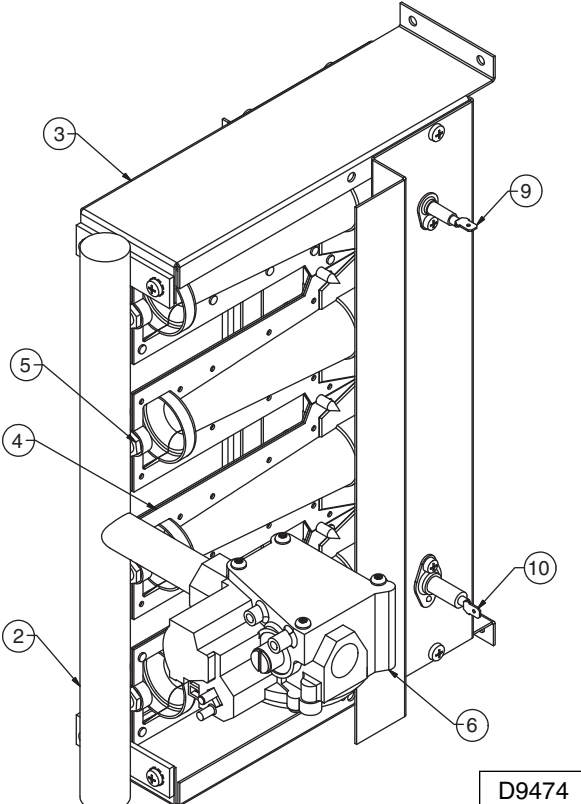


Figure 24 – Manifold Burner Assembly



BTD SERIES 100-400 MBH REPLACEMENT PARTS

ITEM NO.	UNIT CAPACITY (MBH)		100
	NO. OF TUBES, BURNERS, ORIFICES REQ'D PER CAPACITY		2
	ITEM DESCRIPTION		PART NO.
1	Vestibule Panel/Tube Ass'y (Heat Exchanger) ¹ (includes Flue Collector)	Aluminized Steel	507R09171-100
		409 Stainless Steel	507R09171S100
2	Manifold		J37R09190-100
3	Manifold Bracket Sub-Ass'y		503R09191-100
4	Inshot Burner	Aluminized Steel	J37R08258-001
		409 Stainless Steel	J37R08258-002
5	Standard Orifice	Natural Gas (3.4mm)	262R04694-3.4
		Propane (LP) Gas (#45)	512R08532-024
6	Direct Spark Gas Valve, Single Stage	Natural Gas	J28R06892-001
		Propane (LP) Gas	J28R06892-002
	Direct Spark Gas Valve, Two Stage	Natural Gas	J28R06894-001
		Propane (LP) Gas	J28R06894-002
7	Gas Inlet Pipe		503R09442-001
8	Gas Inlet Grommet		J07R02872-001
9	Flame Sensor		J38R06890-003
10	Spark Ignitor		J38R06891-001
11	Control Board		J28R06881
12	Transformer, 50 VA, 115/24		J14R03245-012
13	Air Pressure Switch	Std Alt (0-4,999 ft)	J11R06780-010
		High Alt (5,000 ft+)	J11R06780-008
14	Control Sub-Panel		257R09239
15	Terminal Block Plate		J11R04609
16	High Limit Switch [Qty Req'd per Capacity]		J11R09359 [1]
17	Flue Collector ¹		
18	Flue Collector Gasket ¹		262R09418-100
19	Flue Collector Cover Panel ¹	Aluminized Steel	257R09242-100
		409 Stainless Steel	257R09242S100
20	Power Venter (Drafter) Assembly		262R04581
N/S	Power Venter (Drafter) Gasket		262R09401-100
21	Power Venter (Drafter) Extension/Stand-Off		257R09224-100
22	Flue Collar Assembly		251R09199-001
23	Air Inlet Screen		507R09355-100
24	Baffle		257R09185-100
25	Top Jacket Panel w/ Insulation		251R09186-100
26	Bottom Jacket Panel w/ Insulation		251R09184-100
27	Right Side Jacket Panel w/ Insulation		251R09204-100
28	Left Side Jacket A.K.A. Access Panel w/ Insulation		251R09269-100
29	Rear Jacket Panel w/ Insulation		251R09247-100
30	Front Jacket Panel w/ Insulation		251R09245-100
31	Peep Hole Sight Glass		J07R08348-001
N/S	Washer [4 per Unit]		J24R03637-001
N/S	Green Ground Screw		J21R01287
N/S	Vinyl Tubing (Pressure Switch)		261R04964-005
N/S	Molex Connector Assembly		J11R06887-001
N/S	Ignition Cable - 36 Inches Long		J28R06971-002

Notes:

1. Flue Collector, Flue Collector Gasket, Flue Collector Cover Panel are included in Vestibule Panel/Tube Assembly (Heat Exchanger).

LEGEND: N/S - Part Not Shown

150	200	250	300	350	400	ITEM NO.
3	4	5	6	7	8	
PART NO.						
507R09171-150	507R09171-200	507R09171-250	507R09171-300	507R09171-350	507R09171-400	1
507R09171S150	507R09171S200	507R09171S250	507R09171S300	507R09171S350	507R09171S400	
J37R09190-150	J37R09190-200	J37R09190-250	J37R09190-300	J37R09190-350	J37R09190-400	2
503R09191-150	503R09191-200	503R09191-250	503R09191-300	503R09191-350	503R09191-400	3
J37R08258-001	J37R08258-001	J37R08258-001	J37R08258-001	J37R08258-001	J37R08258-001	4
J37R08258-002	J37R08258-002	J37R08258-002	J37R08258-002	J37R08258-002	J37R08258-002	
262R04694-3.4						5
512R08532-024						
J28R06892-001	J28R06893-001					6
J28R06892-002	J28R06893-002					
J28R06894-001	J28R06895-001					
J28R06894-002	J28R06895-002					
503R09442-001	503R09442-002					7
J07R02872-001	J07R02872-002					8
J38R06890-003						9
J38R06891-001						10
J28R06881						11
J14R03245-012						12
J11R06780-010	J11R06780-007	J11R06779-002				13
11R06780-008	J11R06780-010	J11R06780-002				
257R09239						14
J11R04609						15
J11R09359 [2]	J11R09359 [2]	J11R09359 [1]	J11R09359 [2]	J11R09359 [2]	J11R09359 [2]	16
Included in Vestibule Panel/Tube Assembly - Not Available Separately						17
262R09418-100		262R09418-250				18
257R09242-150	257R09242-200	257R09242-250	257R09242-300	257R09242-350	257R09242-400	19
257R09242S150	257R09242S200	257R09242S250	257R09242S300	257R09242S350	257R09242S400	
262R04581		70R0120.03				20
62R09401-100		262R09401-250				N/S
257R09224-100		257R09224-250				21
251R09199-001		251R09199-002				22
507R09355-100		507R09355-250				23
257R09185-150	257R09185-200	257R09185-250	257R09185-300	257R09185-350	257R09185-400	24
51R09186-100		251R09186-250				25
251R09184-100		251R09184-250				26
251R09204-150	251R09204-200	251R09204-250	251R09204-300	251R09204-350	251R09204-400	27
251R09269-150	251R09269-200	251R09269-250	251R09269-300	251R09269-350	251R09269-400	28
251R09247-150	251R09247-200	251R09247-250	251R09247-300	251R09247-350	251R09247-400	29
251R09245-150	251R09245-200	251R09245-250	251R09245-300	251R09245-350	251R09245-400	30
J07R08348-001						31
J24R03637-001						N/S
J21R01287						N/S
261R04964-005						N/S
J11R06887-001						N/S
J28R06971-002						N/S

BTU, BTC, BSF, BSC, BTD SERIES 100-400 MBH REPLACEMENT PARTS GAS CONTROL OPTIONS [GC]: 3-7*

ITEM DESCRIPTION	[GC] GAS CONTROL OPTION(S)	PART NO.		
		100	125**	150
UNIT CAPACITY (MBH)		100	125**	150
Maxitrol Amplifier A1010U	[3], [4], [5]	J28R00855-005		
Maxitrol Signal Conditioner SC10C-B6S1	[6], [7]	J28R03716		
Maxitrol MR Valve 410 1/2" Natural Gas	ALL	J28R00760-001		N/A
Maxitrol MR Valve 410H 1/2" Propane (LP) Gas		J28R00760-006		N/A
Maxitrol MR Valve 510 3/4" Natural Gas		N/A	N/A	J28R00760-003
Maxitrol MR Valve 510H 3/4" Propane (LP) Gas		N/A	N/A	J28R00760-008
Maxitrol MR Valve 610 3/4" Natural Gas		N/A	N/A	N/A
Maxitrol MR Valve 610H 3/4" Propane (LP) Gas		N/A	N/A	N/A
Maxitrol Room Sensor T120		[3]	J13R00856	
Maxitrol Duct Sensor TS121 and MT1-12	[4], [5]	505R00859		
Maxitrol Remote Set Point Selector TD121	[4], [5]	J13R00858		
Maxitrol Room Override Thermostat T115	[5]	J13R00857		
Transformer, 40 VA, 115/24	ALL	J14R03245-011		
Unit Capacity (MBH)		175**	200	250
Maxitrol Amplifier A1010U	[3], [4], [5]	J28R00855-005		
Maxitrol Signal Conditioner SC10C-B6S1	[6], [7]	J28R03716		
Maxitrol MR Valve 410 1/2" Natural Gas	ALL	N/A	N/A	N/A
Maxitrol MR Valve 410H 1/2" Propane (LP) Gas		N/A	N/A	N/A
Maxitrol MR Valve 510 3/4" Natural Gas		J28R00760-003		N/A
Maxitrol MR Valve 510H 3/4" Propane (LP) Gas		J28R00760-008		N/A
Maxitrol MR Valve 610 3/4" Natural Gas		N/A	N/A	J28R00760-004
Maxitrol MR Valve 610H 3/4" Propane (LP) Gas		N/A	N/A	J28R00760-009
Maxitrol Room Sensor T120		[3]	J13R00856	
Maxitrol Duct Sensor TS121 and MT1-12	[4], [5]	505R00859		
Maxitrol Remote Set Point Selector TD121	[4], [5]	J13R00858		
Maxitrol Room Override Thermostat T115	[5]	J13R00857		
Transformer, 40 VA, 115/24	ALL	J14R03245-011		
Unit Capacity (MBH)		300	350	400
Maxitrol Amplifier A1010U	[3], [4], [5]	J28R00855-005		
Maxitrol Signal Conditioner SC10C-B6S1	[6], [7]	J28R03716		
Maxitrol MR Valve 410 1/2" Natural Gas	ALL	N/A	N/A	N/A
Maxitrol MR Valve 410H 1/2" Propane (LP) Gas		N/A	N/A	N/A
Maxitrol MR Valve 510 3/4" Natural Gas		N/A	N/A	N/A
Maxitrol MR Valve 510H 3/4" Propane (LP) Gas		N/A	N/A	N/A
Maxitrol MR Valve 610 3/4" Natural Gas		J28R00760-004		
Maxitrol MR Valve 610H 3/4" Propane (LP) Gas		J28R00760-009		
Maxitrol Room Sensor T120		[3]	J13R00856	
Maxitrol Duct Sensor TS121 and MT1-12	[4], [5]	505R00859		
Maxitrol Remote Set Point Selector TD121	[4], [5]	J13R00858		
Maxitrol Room Override Thermostat T115	[5]	J13R00857		
Transformer, 40 VA, 115/24	ALL	J14R03245-011		

Notes:

* Gas Control [GC] options 4, 5 are not applicable to propeller units (BTU, BSF Series).

** BTD Series units are not available in [CA] 125, 175 MBH.

BTU, BTC, BSF, BSC, BTD SERIES 100-400 MBH REPLACEMENT PARTS FIELD/FACTORY INSTALLED ACCESSORIES AND MISC.

DESCRIPTION [ACCESSORY OPTION NO.]	PART NO.
Field Installed Options, Thermostats, Misc.	
Pressure Regulator (0.5 to 10 PSI) Natural Gas [A7-1/2-1]	ASRA7-1/2-1
Pressure Regulator (10 to 20 PSI) Natural Gas [A7-3/8-1]	ASRA7-3/8-1
Pressure Regulator (20 to 35 PSI) Natural Gas [A7-5/16-1]	ASRA7-5/16-1
Single Stage T675A Ductstat [F1] (BTC/BSC, BTD Only)	ASRF1
TwoStage T678A Ductstat [F2] (BTC/BSC, BTD Only)	ASRF2
T87K 1-Stage Thermostat, with Subbase [G1] *	ASRG1
T834N 1-Stage w/ Fan Switch Thermostat (Beacon/Morris Logo) [G3] *	ASRG3
TH5220D 2-Stage Thermostat, with Subbase [G5] *	ASRG5
T6169C 1-Stage Line Voltage (115V) Thermostat, with Subbase [G8] *	J13R03362
T822K 1-Stage Thermostat [G9] *	J13R08431
TG511A Universal Thermostat Guard/Locking Cover [G6]	J13R00954
Low Ambient Control [H5]	ASRH5
Vent Cap 5" (100- 250) [M2-2]	J37R02222-002
Vent Cap 6" (300-400) [M2-3]	J37R02222-003
24V SPST Relay [P5]	J10R00818-003
Stainless Steel Drip Pan (BTD ONLY) [S4]	ASRS4
30 Degree Nozzle Kit (100-150) [X2-001] (Excludes BTD)	ASRX2-001
30 Degree Nozzle Kit (175-250) [X2-002] (Excludes BTD)	ASRX2-002
30 Degree Nozzle Kit (300-400) [X2-003] (Excludes BTD)	ASRX2-003
60 Degree Nozzle Kit (100-150) [X3-001] (Excludes BTD)	ASRX3-001
60 Degree Nozzle Kit (175-250) [X3-002] (Excludes BTD)	ASRX3-002
60 Degree Nozzle Kit (300-400) [X3-003] (Excludes BTD)	ASRX3-003
90 Degree Nozzle Kit (100-150) [X4-001] (Excludes BTD)	ASRX4-001
90 Degree Nozzle Kit (175-250) [X4-002] (Excludes BTD)	ASRX4-002
90 Degree Nozzle Kit (300-400) [X4-003] (Excludes BTD)	ASRX4-003
Vertical Louver Kit (BTU/BSF 100-150) [X5-104]	ASRX5-104
Vertical Louver Kit (BTU/BSF 175-250) [X5-107]	ASRX5-107
Vertical Louver Kit (BTU/BSF 300-400) [X5-112]	ASRX5-112
Vertical Louver Kit (BTC/BSC 100-150) [X5-304]	ASRX5-304
Vertical Louver Kit (BTC/BSC 175-250) [X5-307]	ASRX5-307
Vertical Louver Kit (BTC/BSC 300-400) [X5-312]	ASRX5-312
Horizontal & Vertical Louver Kit (BTD) [X5]	ASRX5-[CA]**
Horizontal Combustion Air Inlet Kit, 5 Inch (BTD 100-200) [X8-H5]	ASRX8-H5
Horizontal Combustion Air Inlet Kit, 6 Inch (BTD 250-400) [X8-H6]	ASRX8-H6
Vertical Combustion Air Inlet Kit, 5 Inch (BTD 100-200) [X8-V5]	ASRX8-V5
Vertical Combustion Air Inlet Kit, 6 Inch (BTD 250-400) [X8-V6]	ASRX8-V6
Air Inlet Kit, 5 Inch (BTD 100-200) [X9-DBL-5]	ASRX9-DBL-5
Air Inlet Kit, 6 Inch (BTD 250-400) [X9-DBL-6]	ASRX9-DBL-6
Touch Up Paint, 12oz. Spray Can (Dark Gray)	512R01395-001
High Temp (RTV) Sealant - 2.8oz. Tube	H03R03612-002
* Mercury Free	
** Horizontal and Vertical Louver Kit for BTD must be ordered with the unit capacity as a suffix; i.e. AS-X5-250 for a BTD-250.	
Factory Installed Options	
Summer/Winter Switch [P6]	J11R00544
Discharge Duct Flange Ass'y (BTC/BSC 100-150) [M8]	257R08987-004
Discharge Duct Flange Ass'y (BTC/BSC 175-250) [M8]	257R08987-007
Discharge Duct Flange Ass'y (BTC/BSC 300-400) [M8]	257R08987-012

TERMS

ALL SHIPMENTS ARE F.O.B. FARMVILLE, N.C.
FREIGHT ROUTING SHALL BE AT THE DISCRETION OF THE SHIPPER

PRICES: Published trade prices in effect at time of receipt of order at our office are firm provided the complete order is released for fabrication and shipment within 6 months from date of receipt of written order at the factory. Releases for shipment after 6 months will be billed on the basis of trade prices in effect at time of release.

No obligation is assumed by this Corporation to sell, to anyone holding this book, any of the items listed herein at the prices stated.

TERMS: Net 30 Days.

Prepaid freight or cartage charges paid by us and added to invoice are not subject to cash discount.

TAXES: The prices listed herein exclude Federal, State, or Municipal Tax applicable to the transaction. Such taxes, where applicable to the transaction should be paid directly to the governing authority by the Purchaser.

CLAIMS: As all goods are shipped at buyer's risk they should be examined carefully before signing transportation delivery receipts. If transportation company tenders delivery of goods in bad order, buyer should insist on transportation agent making notation of conditions on delivery receipt and request an inspection within 48 hours, thus enabling buyer to secure prompt payment of transportation claims filed by him for value of damaged material.

The responsibility of this company ceases upon delivery of goods in order to transportation companies. All orders are accepted subject to delays on account of government requirements, strikes, accidents or other causes beyond our control.

RETURNED GOODS: Goods must not be returned except by written permission from the factory, and when so returned will be accepted only as stated in the following conditions:

1. Special material is not subject to return.
2. All transportation charges for returned goods must be prepaid by shipper.
3. Standard catalogued products may be returned upon written permission. After inspection at the factory, if they are found to be in good condition they will be accepted for credit, subject to a 25% handling charge.
4. No goods will be accepted for return more than 90 days after shipment.

CHANGES TO A RELEASED ORDER – Work commences on release of an order, therefore, an order that is changed will be subject to additional charges for any extra time and material expended.

LIMITED WARRANTY

The product described in this catalog are warranted by Beacon/Morris, A Mestek Co. to be free from defects in material and workmanship for a period of one (1) year from the date of shipment from Beacon/Morris' plant.

Beacon/Morris will repair or replace, at its option, any components which, upon inspection, it finds to be defective, provided that the unit has been operated within its listed capacity, has been installed in accordance with the furnished instructions, has not been misused or subject to negligence and has received reasonable and necessary maintenance. This warranty does not cover labor costs or other cost incurred in repairing, removing, installing, servicing or handling of parts or complete products.

Beacon/Morris will in no event be liable for incidental or consequential damages of any kind whatsoever.

The buyer must request written permission from Beacon/Morris to return defective components and then must send them with all transportation charges prepaid to the plant designated in the written permission.

This warranty is extended only to the original purchaser from Beacon/Morris.



260 NORTH ELM ST., WESTFIELD, MA 01085 • TEL: (413) 562-5423 • FAX: (413) 572-3764
7555 TRANMERE DRIVE, MISSISSAUGA ONTARIO L5S 1L4 • TEL.: (905) 670-5888 • FAX: (905) 670-5782
www.beacon-morris.com

