

Submittal Data Sheet

Wilo Helix - Vertical Multistage Pumps

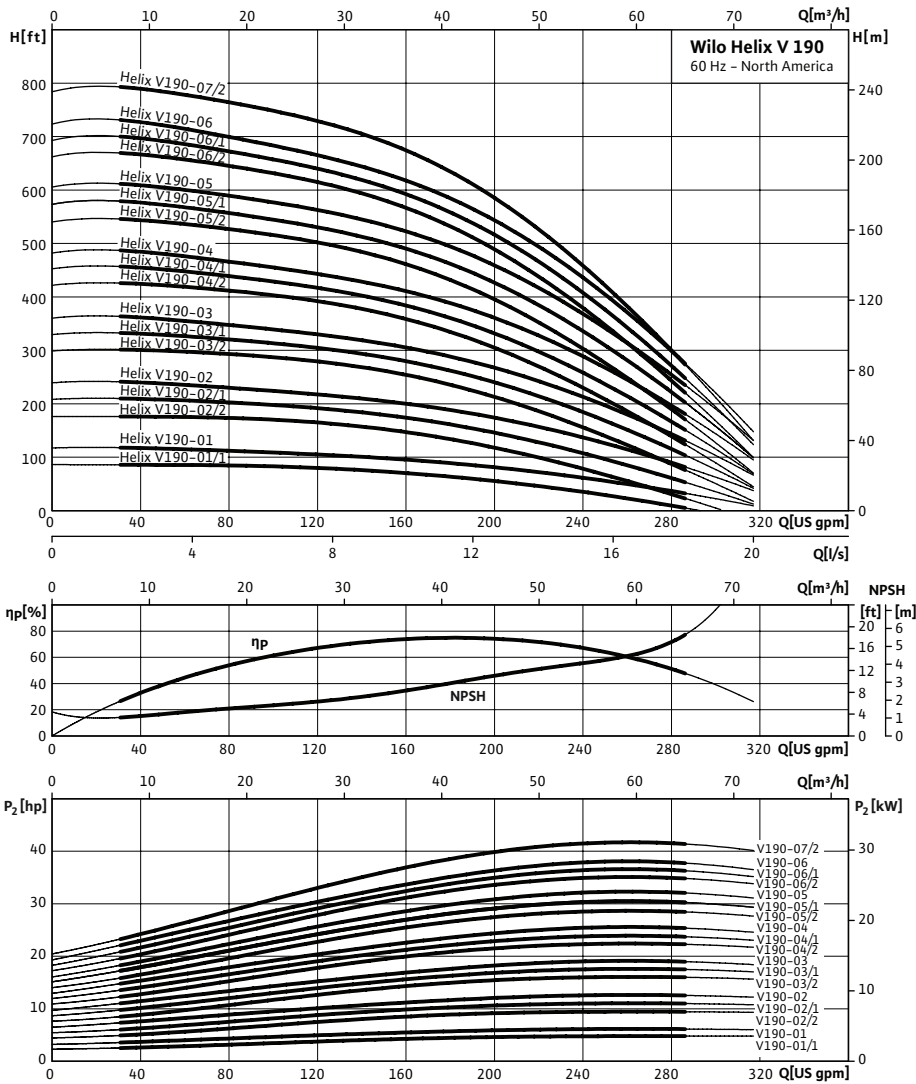


Wilo Helix V 190 (304 SS - EPDM)



Project:	
Engineer:	
Contractor:	
Submitted By:	Date:
Approved By:	Date:

Tag #	Model #	Flow	Head	HP	Cycle	Phase	Voltage	RPM
					60Hz	3		3450



Technical Data

Liquid Temp Range	4°F to 248°F (-15°C to 120°C)
Power Supply	3- 230/460/575
Ambient temperature limits	Maximum 104°F - <90% humidity (motor-dependent)
Flange Connection	250# ANSI
Max suction pressure	145 PSI
Max Operating Pressure (Helix 190-01 to 190-04)	230 PSI
Max Operating Pressure (Helix 190-05 to 110-07)	360 PSI
Motor Options	TEFC Standard

Materials of Construction

Pump volute	Cast Iron (cataphoresis coated)
Impeller	Stainless steel AISI 304 (1.4301)
Shaft	Stainless steel AISI 304 (1.4301)
Elastomers	EPDM/FKM
Mechanical seal	SiC/Carbon or Tungsten Carbide/Carbon
Pressure Shroud	Stainless steel AISI 304 (1.4301)
Bearing	Tungsten Carbide/Ceramic
Pump Base	Steel

Applications

- Water supply & pressure boosting
- Washing and sprinkling systems
- Condensate return
- Process engineering
- Boiler feed
- Cooling-water circuits
- Geothermal
- Heating

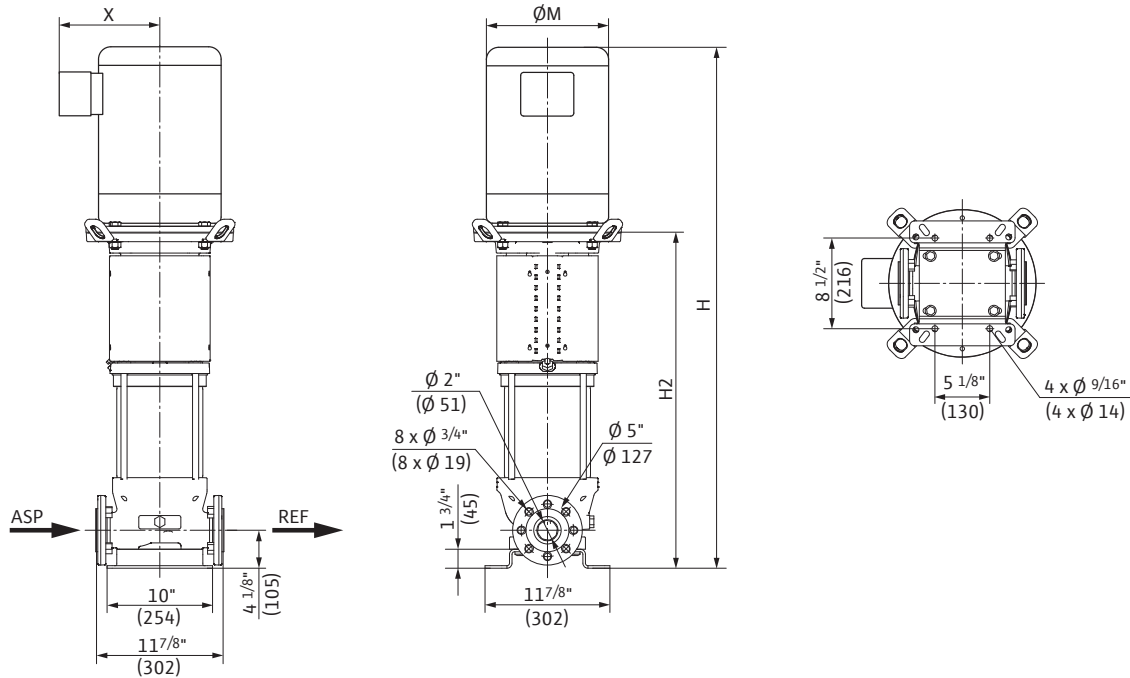


Submittal Data Sheet

Wilo Helix – Vertical Multistage Pumps



Dimensions & Weights



Dimensions and Weights

TEFC Motor Data

Model	Dimensions—inches (mm)								Weight	
	H		H ₂		Ø g		X		lbs	kg
	in	mm	in	(mm)	in	(mm)	in	(mm)		
Helix V 190-01/1	34 ³ / ₄	883	20 ¹⁵ / ₁₆	532	8 ⁵ / ₈	218	5 ⁷ / ₈	149	196	89
Helix V 190-01	41 ⁹ / ₁₆	1056	25 ¹ / ₂	648	11 ¹ / ₂	292	7 ³ / ₈	187	323	147
Helix V 190-02/2	44 ¹ / ₄	1123	28 ¹ / ₈	715	11 ¹ / ₂	292	7 ³ / ₈	187	347	157
Helix V 190-02/1	49 ³ / ₈	1254	29 ⁵ / ₁₆	745	13 ³ / ₄	337	9 ¹ / ₂	242	459	208
Helix V 190-02	49 ³ / ₈	1254	29 ⁵ / ₁₆	745	13 ³ / ₄	337	9 ¹ / ₂	242	459	208
Helix V 190-03/2	52	1321	31 ¹⁵ / ₁₆	812	13 ³ / ₄	337	9 ¹ / ₂	242	448	203
Helix V 190-03/1	52	1321	31 ¹⁵ / ₁₆	812	13 ³ / ₄	337	9 ¹ / ₂	242	448	203
Helix V 190-03	52	1321	31 ¹⁵ / ₁₆	812	13 ³ / ₄	337	9 ¹ / ₂	242	448	203
Helix V 190-04/2	55 ⁷ / ₈	1420	34 ⁹ / ₁₆	878	13 ³ / ₄	337	9 ¹ / ₂	242	578	262
Helix V 190-04/1	55 ⁷ / ₈	1420	34 ⁹ / ₁₆	878	13 ³ / ₄	337	9 ¹ / ₂	242	578	262
Helix V 190-04	55 ⁷ / ₈	1420	34 ⁹ / ₁₆	878	13 ³ / ₄	337	13 ¹ / ₈	333	576	261
Helix V 190-05/2	58 ⁹ / ₁₆	1487	37 ³ / ₁₆	945	13 ³ / ₄	337	13 ¹ / ₈	333	587	266
Helix V 190-05/1	58 ⁹ / ₁₆	1487	37 ³ / ₁₆	945	13 ³ / ₄	337	13 ¹ / ₈	333	587	266
Helix V 190-05	58 ⁹ / ₁₆	1487	37 ³ / ₁₆	945	13 ³ / ₄	337	13 ¹ / ₈	333	587	266
Helix V 190-06/2	64 ⁷ / ₈	1648	39 ¹³ / ₁₆	1012	16 ⁷ / ₈	429	14 ¹ / ₈	359	722	328
Helix V 190-06/1	64 ⁷ / ₈	1648	39 ¹³ / ₁₆	1012	16 ⁷ / ₈	429	14 ¹ / ₈	359	722	328
Helix V 190-06	64 ⁷ / ₈	1648	39 ¹³ / ₁₆	1012	16 ⁷ / ₈	429	14 ¹ / ₈	359	722	328
Helix V 190-07/2	67 ⁹ / ₁₆	1717	42 ⁷ / ₁₆	1078	16 ⁷ / ₈	429	14 ¹ / ₈	359	809	367

P2	Phase	Voltage	FLA
[HP]	[~]	[V]	[A]
5	3	230/460/575	13.2/6.6/4.6
7.5	3	230/460/575	17.2/8.6/6.9
10	3	230/460/575	22.4/11.2/9
15	3	230/460/575	34.4/17.2/13.5
15	3	230/460/575	34.4/17.2/13.5
20	3	230/460/575	45/22.5/18.4
20	3	230/460/575	45/22.5/18.4
20	3	230/460/575	45/22.5/18.4
25	3	230/460/575	56/28/22
25	3	230/460/575	56/28/22
30	3	230/460/575	66/33/26.2
30	3	230/460/575	66/33/26.2
30	3	230/460/575	66/33/26.2
40	3	230/460/575	90/45/36
50	3	230/460/575	108/54/43.6
50	3	230/460/575	108/54/43.6
50	3	230/460/575	108/54/43.6

WILO USA LLC

Tel: (866) 945-6872 Web: www.wilo-usa.com
 Fax: (708) 338-9455 Email: info@wilo-usa.com

WILO Canada Inc.

Tel: (866) 945-6236 Web: www.wilo-canada.com
 Fax: (403) 277-9456 Email: info@wilo-canada.com

WILO Mexico

Tel: +52 55 5586 3209 Web: www.wilo-mexico.com.mx
 Fax: +52 1 55 5413 4165 Email: info@wilo.com.mx