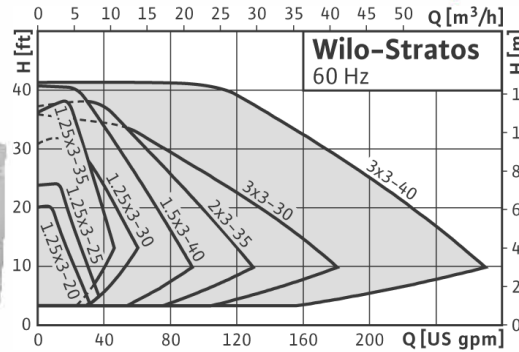


# Submittal Data Sheet Booklet

## Range: Wilo-Stratos



### > Single head pumps:

- Electronically controlled circulating pumps with flanged connection

### > Applications:

- Hot-water heating systems of all kinds, air conditioning, closed cooling circuits, industrial circulating systems

### > Special features:

- ECM-Technology for outstanding efficiency
- Cataphoresis coating for preventing corrosion in the event of condensation
- Maintenance free single-head circulator
- Automatically air venting

### > Product advantages:

- Energy savings up to 80% over standard pumps
- For all heating, air-conditioning and cooling systems in the temperature range of 14 °F (-10 °C) to 230 °F (+110 °C)
- Optimal handling through frontal operation and frontal access to the terminal room (face to face)
- Variable installation positions
- Reliability and comfort during installation



# WILO Stratos Submittal

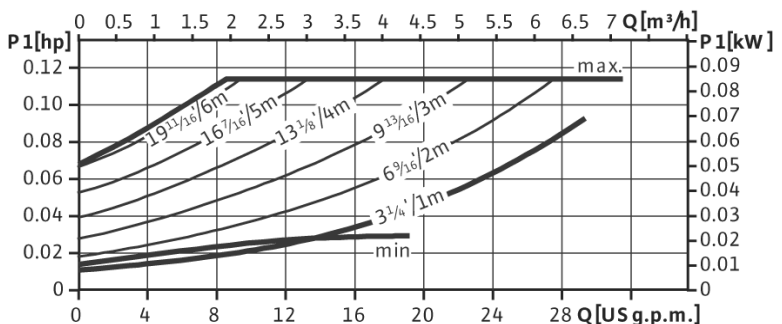
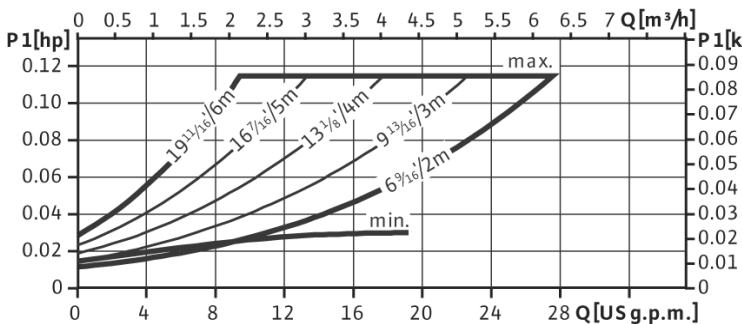
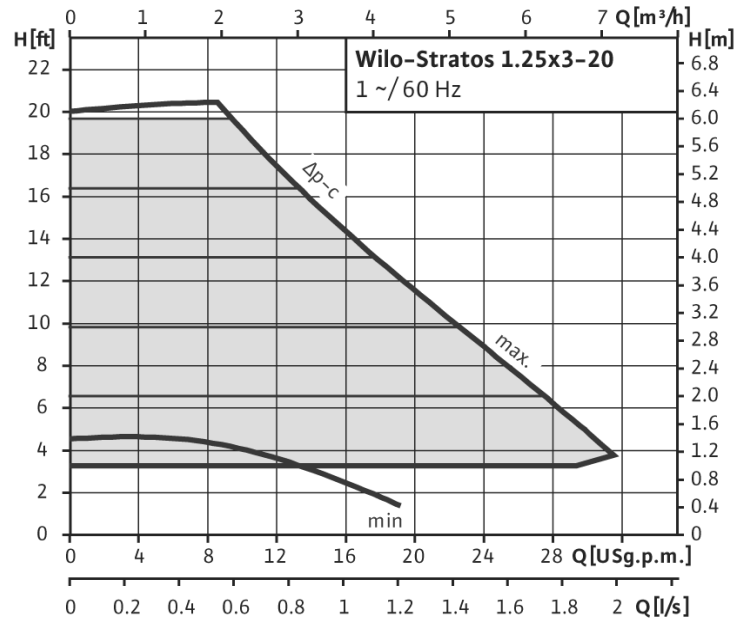
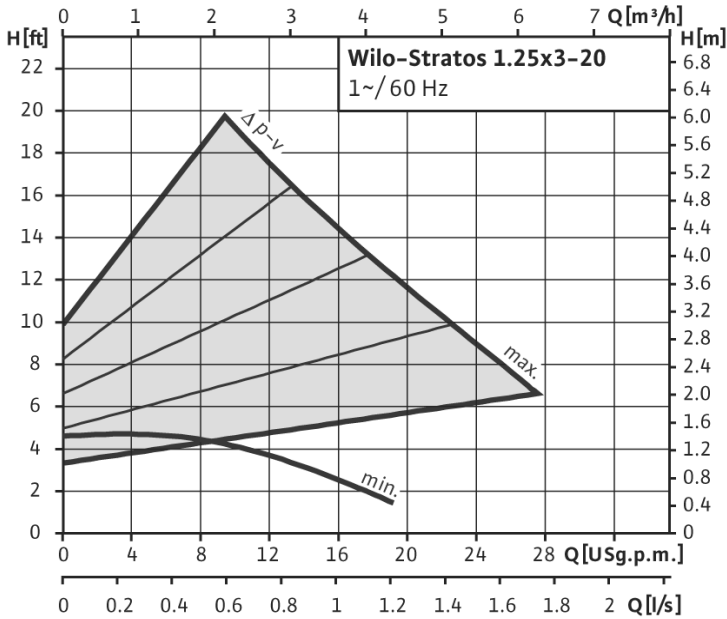
## Stratos 1.25 x 3-20



Pumpen Intelligenz.

Project:	
Engineer:	
Contractor:	
Submitted By:	Date:
Approved By:	Date:

Tag #	Model #	Flow	Head	Volt/Phase	Control	IF Module	Comments
	Stratos 1.25 x 3-20			230/1/60			



### Control Modes

- $\Delta p-v$  Pressure Differential Variable - factory default setting (set pressure is half at zero flow)
- $\Delta p-c$  Pressure Differential Constant (set pressure constant)
- $\Delta p-t$  Temperature Influenced Differential Pressure Control (IR Device Required to Activate)
- Automatic Night Set Back Activated - factory default setting
- Manual Speed Control (RPM x 100)

### IF Interface Modules (optional)

- External Min /0 to 10 Volt DC (0 - 10 Vdc input remotely controls head set point or pump speed)/DP (Dual Pump)
  - External Min (control override) remote, volt free n/c contact
- External Off/OC (Operation Contact)/DP (Dual Pump)
  - External Off (control override) remote, volt free n/c contact,
  - Operation Contact, volt free n/o contact
- LON/DP (LonWorks BMS communication and Dual Pump)

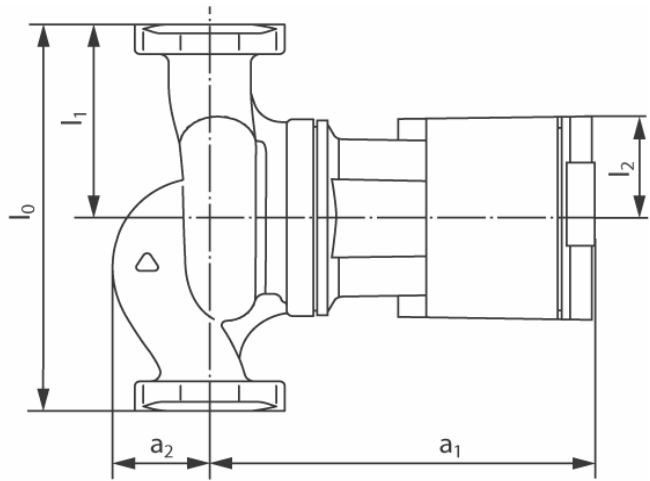
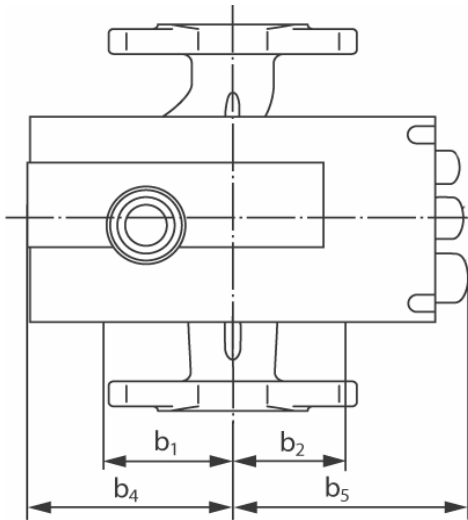


# WILO Stratos Submittal

## Stratos 1.25 x 3-20



*Pumpen Intelligenz.*

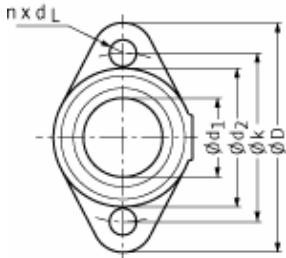


Pump Dimensions

Details	Max Hp	Pipe Size	l <sub>0</sub>	l <sub>1</sub>	l <sub>2</sub>	a <sub>1</sub>	a <sub>2</sub>	b <sub>1</sub>	b <sub>2</sub>	b <sub>4</sub>	b <sub>5</sub>	Weight
Imperial	1/12 Hp	1 1/4"	6 1/2	3 1/4	1 7/8	7 1/8	1 11/16	2 1/8	1 7/8	3 9/16	4 1/2	9.3 lbs
Metric	65 Watt	32 mm	165	82.5	49	182	43	54	47.5	90	114	4.2 kg

Flange Dimensions

Details	Flange	D	d1 (dia)	d2	k (dia)	n x dL
Imperial	1 1/4	4 3/4	1 3/8	2 7/8	3 1/2	2 x 1/2
Metric	32 mm	121	35	73	89	2 x 14



Electrical Information

Rated Power (P2) Hp max	Rated Power (P2) Watts max	Speed Range	Consumed Power (P1) watts min/max	Amps 230/1 (and 230/3)	Motor Protection
0.087	65	1400 - 3400	9 - 85	0.13 - 0.78	Integrated

Minimum Inlet Pressure

122 deg F (50 C)	203 deg F (95 C)	230 deg F (110 C)
4.4 PSI	14.5 PSI	23.2 PSI

**Operating Limits**

Temp Min/Max      14 to 230 Deg F (- 10 to +110 Deg C)  
 Max Ambient Temp    104 Deg F (40 Deg C)  
 Max Working Press    145 PSI (10 Bar)

**Materials of Construction**

Impeller              Fibreglass Reinforced PPS  
 Shaft                  Stainless Steel (X46 Cr13)  
 Bearing                Metal Impregnated Carbon  
 Volute                  Cast Iron, Cataphoresis Coated

**Motor/Electronics**

Power Electronics    Frequency Converter - ECM Type  
 Degree of Protection Enclosure 2  
 Insulation Class      H



Wilo USA LLC  
 1290 North 25th Avenue  
 Melrose Park, Illinois 60160  
 Phone: 866 945 6872      Fax: 708 338 9455

www.wilo-na.com

Wilo Canada Inc  
 Bay 7 - 2915 - 10th Ave N. E.  
 Calgary, Alberta, T2A 5L4  
 Phone: 866 945 6236      Fax: 403 277 9456



# WILO Stratos Submittal

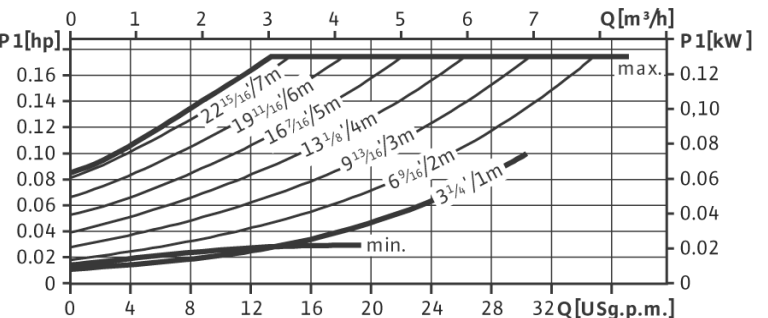
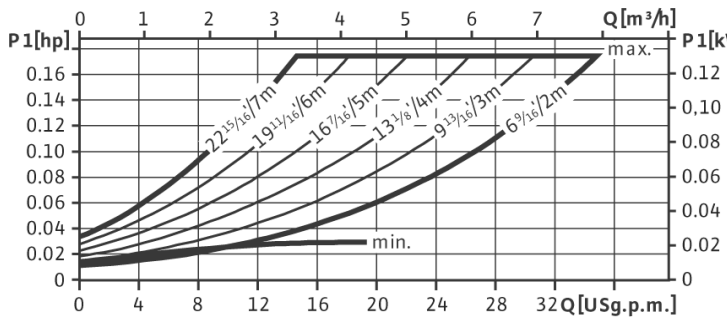
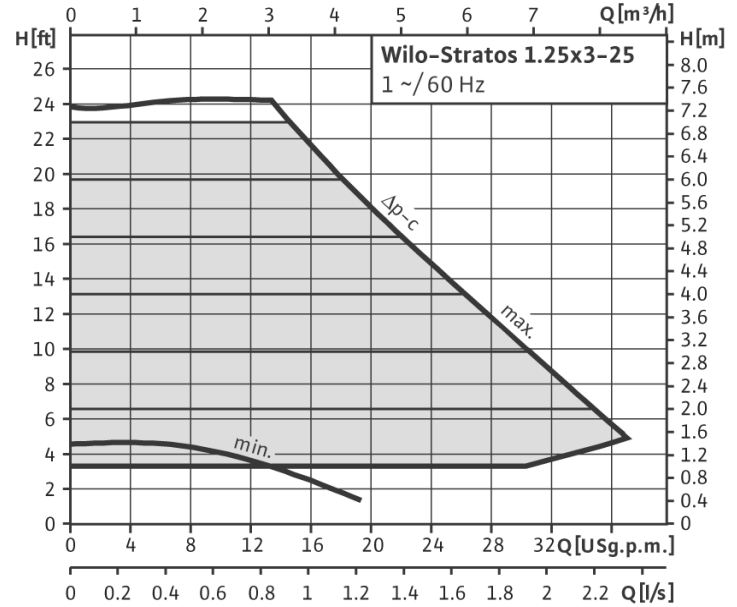
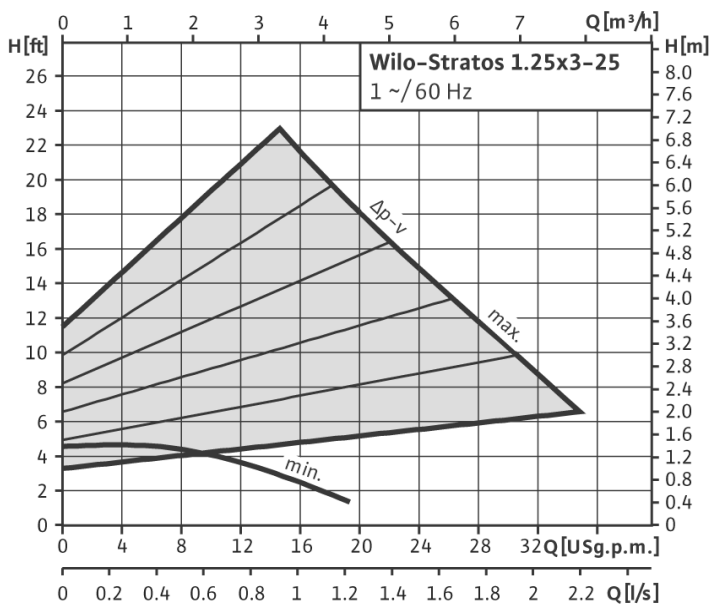
## Stratos 1.25 x 3-25



Pumpen Intelligenz.

Project:	
Engineer:	
Contractor:	
Submitted By:	Date:
Approved By:	Date:

Tag #	Model #	Flow	Head	Volt/Phase	Control	IF Module	Comments
	Stratos 1.25 x 3-25			230/1/60			



### Control Modes

- $\Delta p-v$  Pressure Differential Variable - factory default setting (set pressure is half at zero flow)
- $\Delta p-c$  Pressure Differential Constant (set pressure constant)
- $\Delta p-t$  Temperature Influenced Differential Pressure Control (IR Device Required to Activate)
- Automatic Night Set Back Activated - factory default setting
- Manual Speed Control (RPM x 100)

### IF Interface Modules (optional)

- External Min /0 to 10 Volt DC (0 - 10 Vdc input remotely controls head set point or pump speed)/DP (Dual Pump)
  - External Min (control override) remote, volt free n/c contact
- External Off/OC (Operation Contact)/DP (Dual Pump)
  - External Off (control override) remote, volt free n/c contact,
  - Operation Contact, volt free n/o contact
- LON/DP (LonWorks BMS communication and Dual Pump)

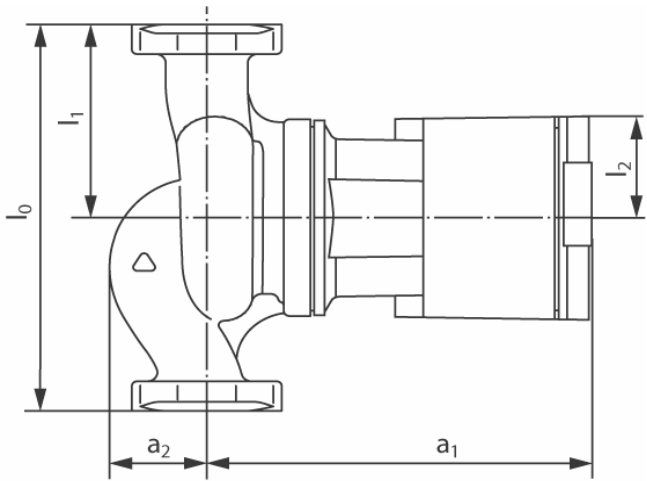
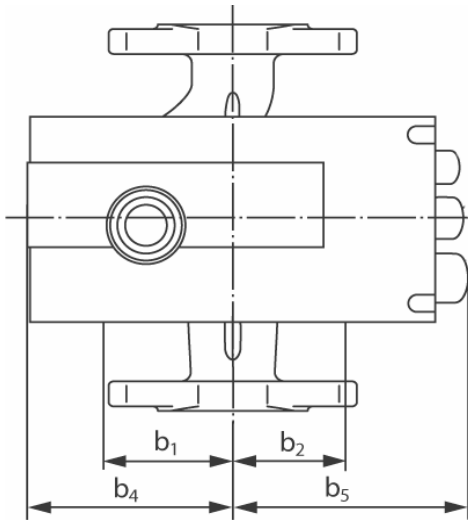


# WILO Stratos Submittal

## Stratos 1.25 x 3-25



*Pumpen Intelligenz.*

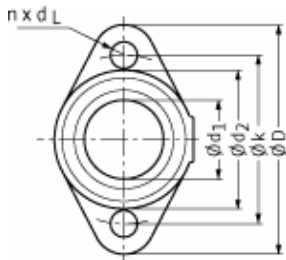


Pump Dimensions

Details	Max Hp	Pipe Size	l <sub>0</sub>	l <sub>1</sub>	l <sub>2</sub>	a <sub>1</sub>	a <sub>2</sub>	b <sub>1</sub>	b <sub>2</sub>	b <sub>4</sub>	b <sub>5</sub>	Weight
Imperial	1/8 Hp	1 1/4"	6 1/2	3 1/4	1 7/8	7 1/8	1 11/16	2 1/8	1 7/8	3 9/16	4 1/2	9.3 lbs
Metric	100 Watt	40 mm	165	82.5	49	182	43	54	47.5	90	114	4.2 kg

Flange Dimensions

Details	Flange	D	d1 (dia)	d2	k (dia)	n x dL
Imperial	1 1/4	4 3/4	1 3/8	2 7/8	3 1/2	2 x 1/2
Metric	32 mm	121	35	73	89	2 x 14



Electrical Information

Rated Power (P2) Hp max	Rated Power (P2) Watts max	Speed Range	Consumed Power (P1) watts min/max	Amps 230/1 (and 230/3)	Motor Protection
0.134	100	1400 - 3700	9 - 130	0.13 - 1.20	Integrated

Minimum Inlet Pressure

122 deg F (50 C)	203 deg F (95 C)	230 deg F (110 C)
4.4 PSI	14.5 PSI	23.2 PSI

**Operating Limits**

Temp Min/Max      14 to 230 Deg F (- 10 to +110 Deg C)  
 Max Ambient Temp    104 Deg F (40 Deg C)  
 Max Working Press    145 PSI (10 Bar)

**Materials of Construction**

Impeller              Fibreglass Reinforced PPS  
 Shaft                  Stainless Steel (X46 Cr13)  
 Bearing                Metal Impregnated Carbon  
 Volute                  Cast Iron, Cataphoresis Coated

**Motor/Electronics**

Power Electronics    Frequency Converter - ECM Type  
 Degree of Protection Enclosure 2  
 Insulation Class      H



Wilo USA LLC  
 1290 North 25th Avenue  
 Melrose Park, Illinois 60160  
 Phone: 866 945 6872      Fax: 708 338 9455

www.wilo-na.com

Wilo Canada Inc  
 Bay 7 - 2915 - 10th Ave N. E.  
 Calgary, Alberta, T2A 5L4  
 Phone: 866 945 6236      Fax: 403 277 9456



# WILO Stratos Submittal

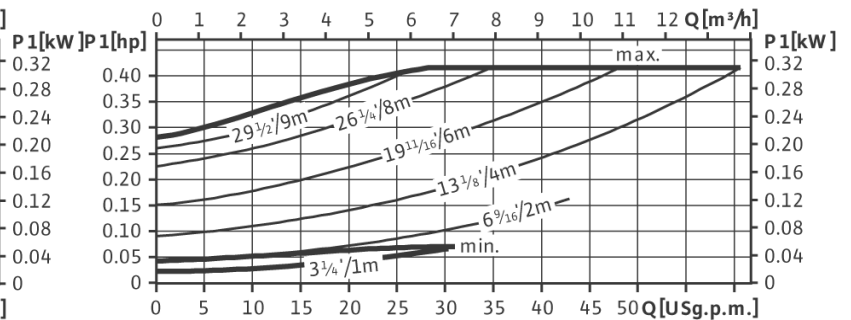
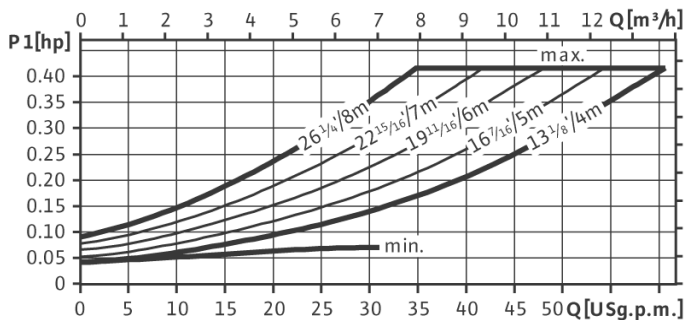
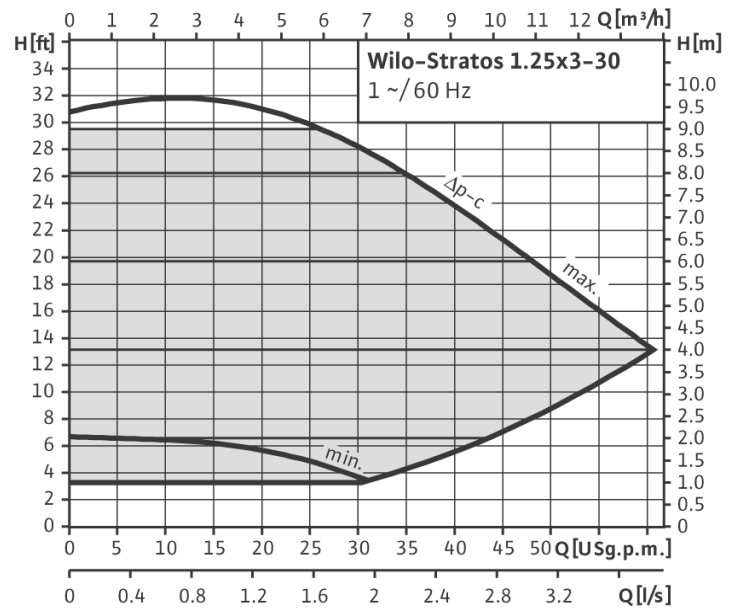
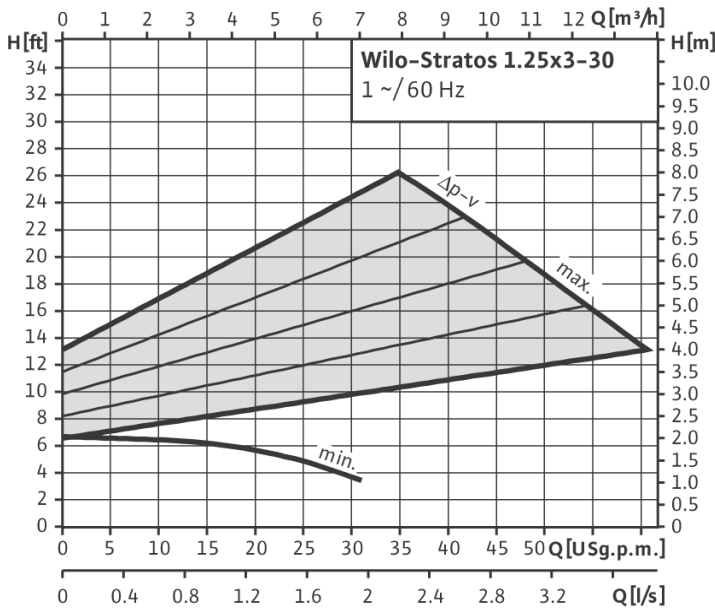
## Stratos 1.25 x 3-30



Pumpen Intelligenz.

Project:							
Engineer:							
Contractor:							
Submitted By:				Date:			
Approved By:				Date:			

Tag #	Model #	Flow	Head	Volt/Phase	Control	IF Module	Comments
	Stratos 1.25 x 3-30			230/1/60			



### Control Modes

- Δp-v Pressure Differential Variable - factory default setting (set pressure is half at zero flow)
- Δp-c Pressure Differential Constant (set pressure constant)
- Δp-t Temperature Influenced Differential Pressure Control (IR Device Required to Activate)
- Automatic Night Set Back Activated - factory default setting
- Manual Speed Control (RPM x 100)

### IF Interface Modules (optional)

- External Min/0 to 10 Volt DC (0 - 10 Vdc input remotely controls head set point or pump speed)/DP (Dual Pump)
  - External Min (control override) remote, volt free n/c contact
- External Off/OC (Operation Contact)/DP (Dual Pump)
  - External Off (control override) remote, volt free n/c contact,
  - Operation Contact, volt free n/o contact
- LON/DP (LonWorks BMS communication and Dual Pump)

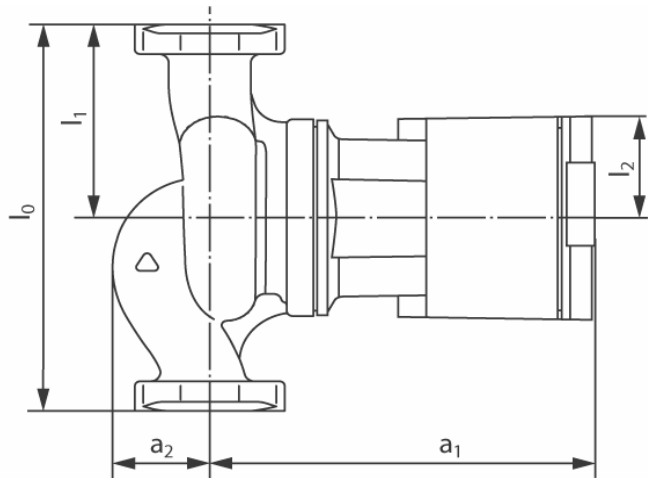
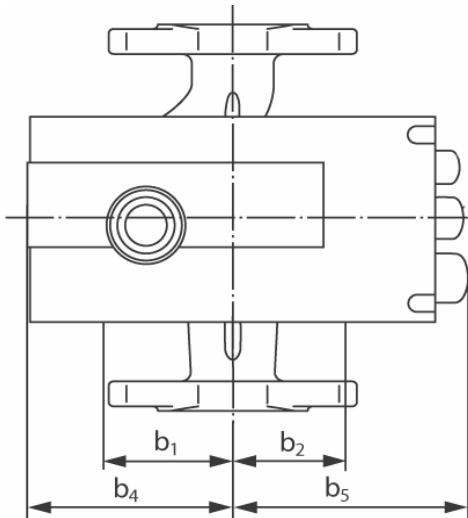


# WILO Stratos Submittal

## Stratos 1.25 x 3-30



*Pumpen Intelligenz.*

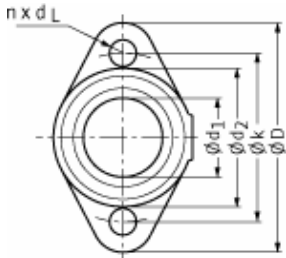


Pump Dimensions

Details	Max Hp	Pipe Size	l <sub>0</sub>	l <sub>1</sub>	l <sub>2</sub>	a <sub>1</sub>	a <sub>2</sub>	b <sub>1</sub>	b <sub>2</sub>	b <sub>4</sub>	b <sub>5</sub>	Weight
Imperial	1/4 Hp	1 1/4"	8 1/2	4 1/4	2 3/16	8	1 7/8	2 1/2	2 3/16	4 3/16	4 3/4	19.8 lbs
Metric	200 Watt	32 mm	216	108	55	204	48	63	55	106	120	9.0 kg

Flange Dimensions

Details	Flange	D	d1 (dia)	d2	k (dia)	n x dL
Imperial	1 1/4	4 3/4	1 3/8	2 7/8	3 1/2	2 x 1/2
Metric	32 mm	121	35	73	89	2 x 14



Electrical Information

Rated Power (P2) Hp max	Rated Power (P2) Watts max	Speed Range	Consumed Power (P1) watts min/max	Amps 230/1 (and 230/3)	Motor Protection
0.268	200	1600 - 4800	16 - 310	0.16 - 1.37	Integrated

Minimum Inlet Pressure

122 deg F (50 C)	203 deg F (95 C)	230 deg F (110 C)
4.4 PSI	14.5 PSI	23.2 PSI

**Operating Limits**

Temp Min/Max      14 to 230 Deg F (- 10 to +110 Deg C)  
 Max Ambient Temp    104 Deg F (40 Deg C)  
 Max Working Press    145 PSI (10 Bar)

**Materials of Construction**

Impeller                Fibreglass Reinforced PPS  
 Shaft                    Stainless Steel (X46 Cr13)  
 Bearing                Metal Impregnated Carbon  
 Volute                  Cast Iron, Cataphoresis Coated

**Motor/Electronics**

Power Electronics    Frequency Converter - ECM Type  
 Degree of Protection Enclosure 2  
 Insulation Class     H



Wilo USA LLC  
 1290 North 25th Avenue  
 Melrose Park, Illinois 60160  
 Phone: 866 945 6872      Fax: 708 338 9455

www.wilo-na.com

Wilo Canada Inc  
 Bay 7 - 2915 - 10th Ave N. E.  
 Calgary, Alberta, T2A 5L4  
 Phone: 866 945 6236      Fax: 403 277 9456



# WILO Stratos Submittal

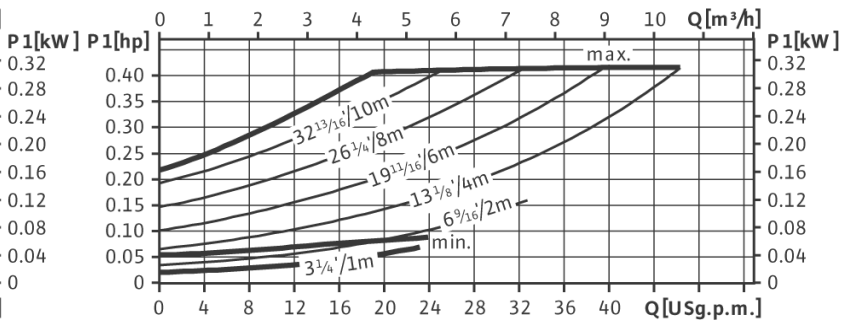
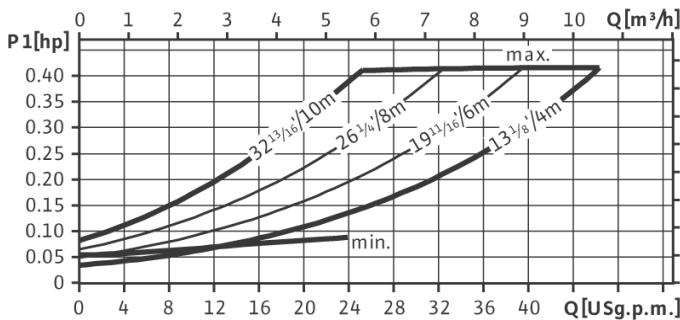
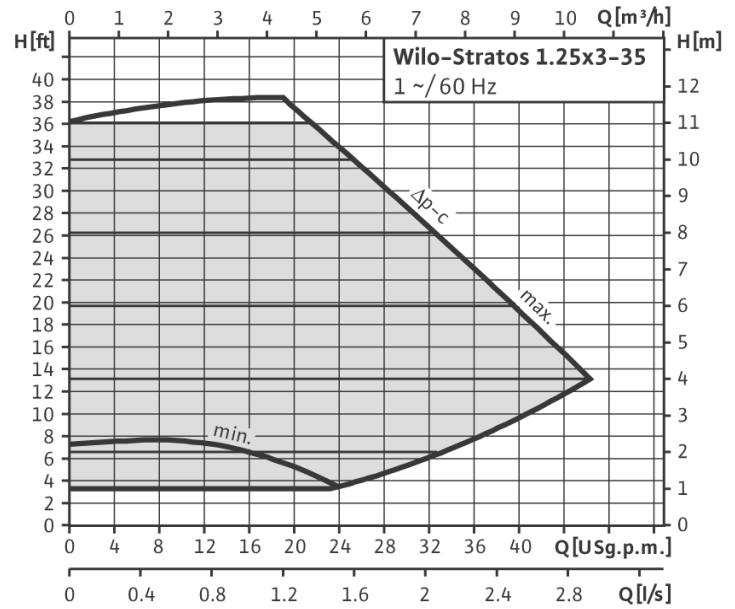
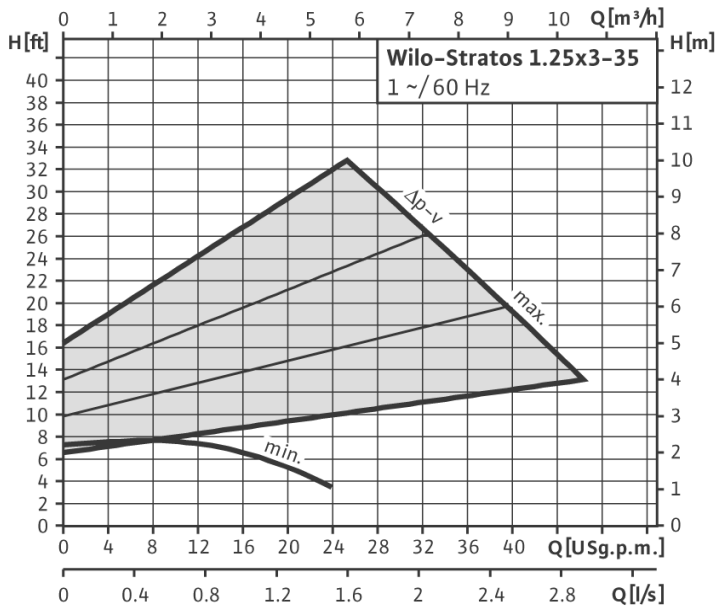
## Stratos 1.25 x 3-35



Pumpen Intelligenz.

Project:	
Engineer:	
Contractor:	
Submitted By:	Date:
Approved By:	Date:

Tag #	Model #	Flow	Head	Volt/Phase	Control	IF Module	Comments
	Stratos 1.25 x 3-35			230/1/60			



### Control Modes

- $\Delta p-v$  Pressure Differential Variable - factory default setting (set pressure is half at zero flow)
- $\Delta p-c$  Pressure Differential Constant (set pressure constant)
- $\Delta p-t$  Temperature Influenced Differential Pressure Control (IR Device Required to Activate)
- Automatic Night Set Back Activated - factory default setting
- Manual Speed Control (RPM x 100)

### IF Interface Modules (optional)

- External Min/0 to 10 Volt DC (0 - 10 Vdc input remotely controls head set point or pump speed)/DP (Dual Pump)
  - External Min (control override) remote, volt free n/c contact
- External Off/OC (Operation Contact)/DP (Dual Pump)
  - External Off (control override) remote, volt free n/c contact,
  - Operation Contact, volt free n/o contact
- LON/DP (LonWorks BMS communication and Dual Pump)



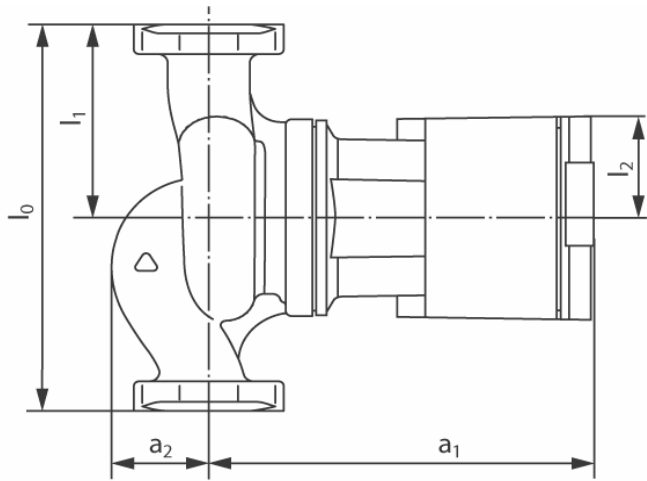
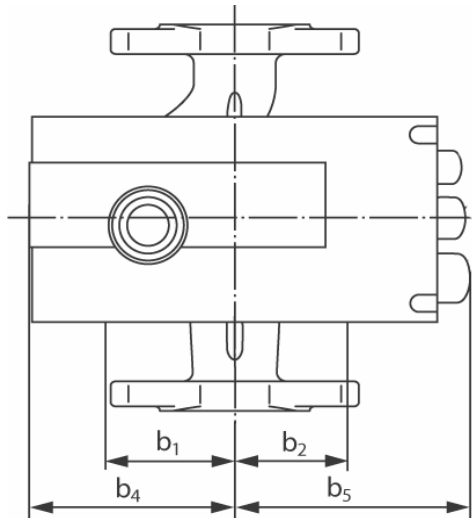


# WILO Stratos Submittal

## Stratos 1.25 x 3-35



*Pumpen Intelligenz.*

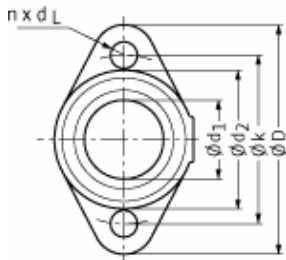


Pump Dimensions

Details	Max Hp	Pipe Size	l <sub>0</sub>	l <sub>1</sub>	l <sub>2</sub>	a <sub>1</sub>	a <sub>2</sub>	b <sub>1</sub>	b <sub>2</sub>	b <sub>4</sub>	b <sub>5</sub>	Weight
Imperial	1/4 Hp	1 1/4"	8 1/2	4 1/4	2 3/16	7 7/8	1 15/16	2 3/8	2 3/16	4 3/16	4 3/4	19.8 lbs
Metric	200 Watt	32 mm	216	108	55	201	50	61	55	106	120	9.0 kg

Flange Dimensions

Details	Flange	D	d1 (dia)	d2	k (dia)	n x dL
Imperial	1 1/4	4 3/4	1 3/8	2 7/8	3 1/2	2 x 1/2
Metric	32 mm	121	35	73	89	2 x 14



Electrical Information

Rated Power (P2) Hp max	Rated Power (P2) Watts max	Speed Range	Consumed Power (P1) watts min/max	Amps 230/1 (and 230/3)	Motor Protection
0.268	200	1600 - 4800	16 - 310	0.16 - 1.37	Integrated

Minimum Inlet Pressure

122 deg F (50 C)	203 deg F (95 C)	230 deg F (110 C)
4.4 PSI	14.5 PSI	23.2 PSI

**Operating Limits**

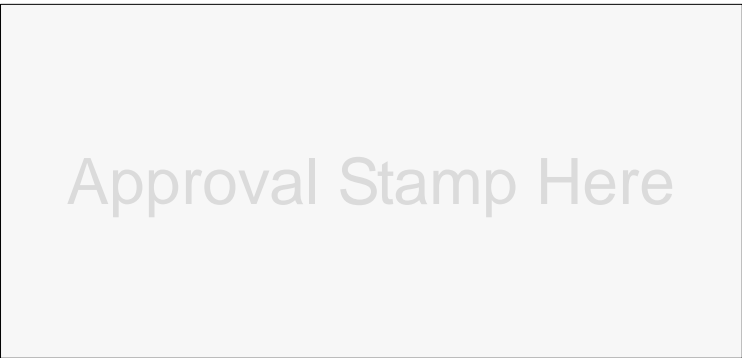
Temp Min/Max      14 to 230 Deg F (- 10 to +110 Deg C)  
 Max Ambient Temp    104 Deg F (40 Deg C)  
 Max Working Press    145 PSI (10 Bar)

**Materials of Construction**

Impeller              Fibreglass Reinforced PPS  
 Shaft                  Stainless Steel (X46 Cr13)  
 Bearing                Metal Impregnated Carbon  
 Volute                  Cast Iron, Cataphoresis Coated

**Motor/Electronics**

Power Electronics    Frequency Converter - ECM Type  
 Degree of Protection Enclosure 2  
 Insulation Class      H



Wilo USA LLC  
 1290 North 25th Avenue  
 Melrose Park, Illinois 60160  
 Phone: 866 945 6872      Fax: 708 338 9455

www.wilo-na.com

Wilo Canada Inc  
 Bay 7 - 2915 - 10th Ave N. E.  
 Calgary, Alberta, T2A 5L4  
 Phone: 866 945 6236      Fax: 403 277 9456



# WILO Stratos Submittal

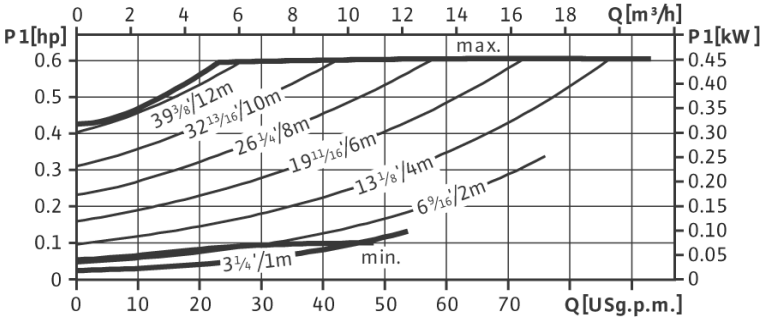
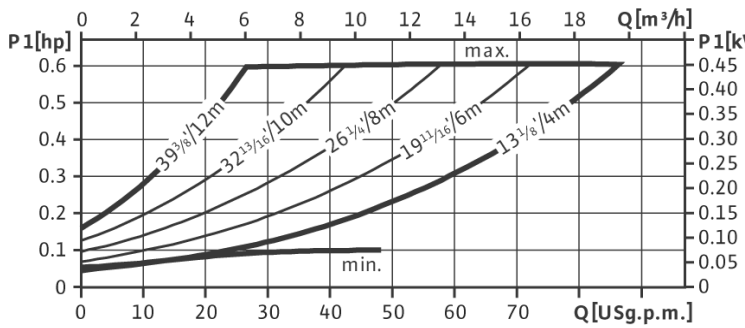
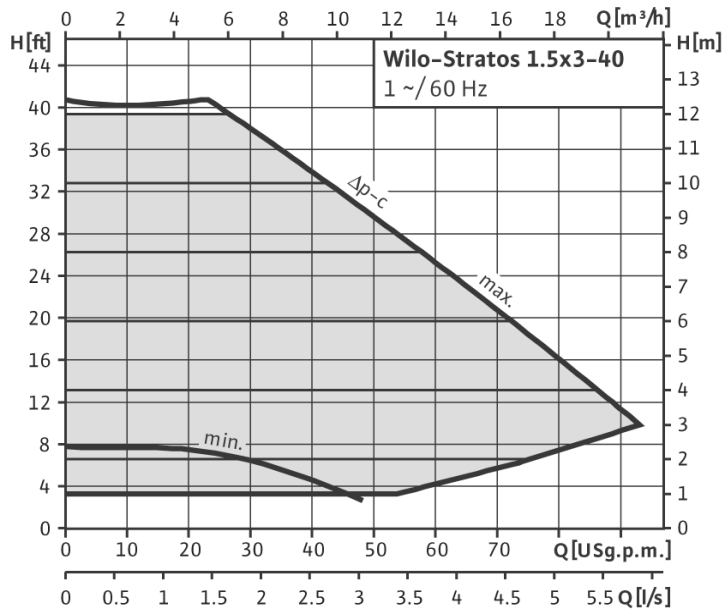
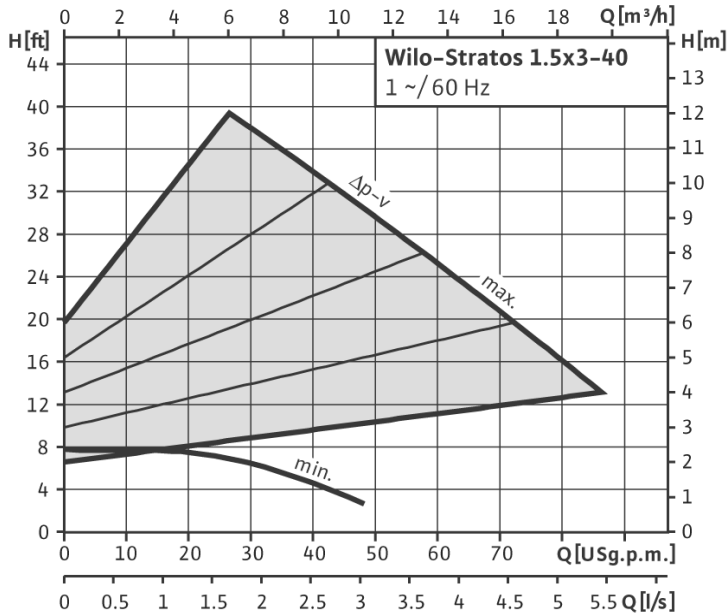
## Stratos 1.5 x 3-40



Pumpen Intelligenz.

Project:	
Engineer:	
Contractor:	
Submitted By:	Date:
Approved By:	Date:

Tag #	Model #	Flow	Head	Volt/Phase	Control	IF Module	Comments
	Stratos 1.5 x 3-40			230/1/60			



**Control Modes**

- Δp-v Pressure Differential Variable - factory default setting (set pressure is half at zero flow)
- Δp-c Pressure Differential Constant (set pressure constant)
- Δp-t Temperature Influenced Differential Pressure Control (IR Device Required to Activate)
- Automatic Night Set Back Activated - factory default setting
- Manual Speed Control (RPM x 100)

**IF Interface Modules (optional)**

- External Min /0 to 10 Volt DC (0 - 10 Vdc input remotely controls head set point or pump speed)/DP (Dual Pump)
  - External Min (control override) remote, volt free n/c contact
- External Off/OC (Operation Contact)/DP (Dual Pump)
  - External Off (control override) remote, volt free n/c contact,
  - Operation Contact, volt free n/o contact
- LON/DP (LonWorks BMS communication and Dual Pump)

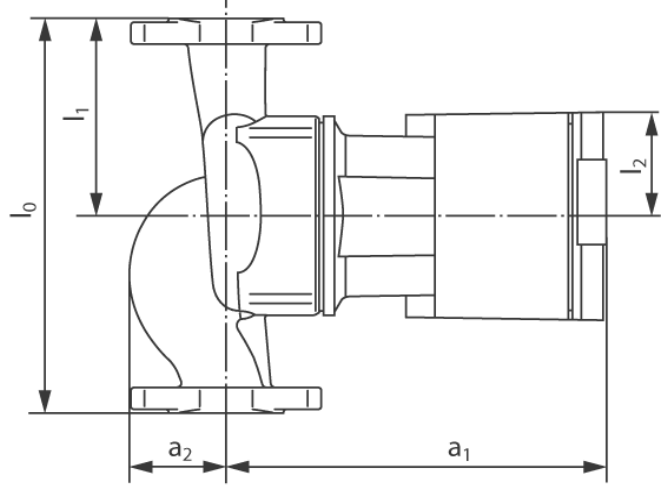
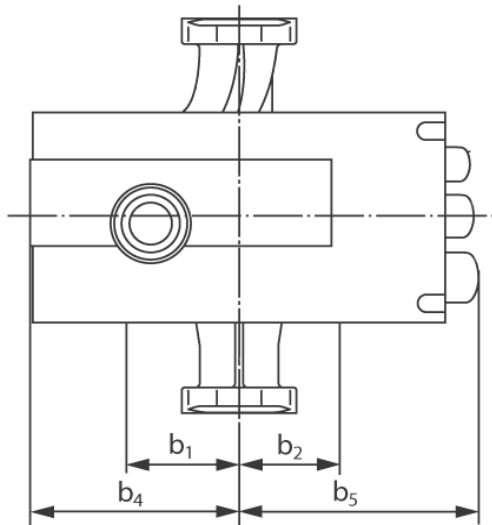


# WILO Stratos Submittal

## Stratos 1.5 x 3-40



*Pumpen Intelligenz.*

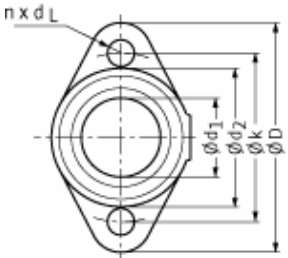


Pump Dimensions

Details	Max Hp	Pipe Size	l <sub>0</sub>	l <sub>1</sub>	l <sub>2</sub>	a <sub>1</sub>	a <sub>2</sub>	b <sub>1</sub>	b <sub>2</sub>	b <sub>4</sub>	b <sub>5</sub>	Weight
Imperial	1/2 Hp	1 1/2"	10	5	2 9/16	9 15/16	2 7/16	2 13/16	2 9/16	4 11/16	5 3/8	30.9 lbs
Metric	350 Watt	40 mm	254	127	66	252	62	72	65.5	119	136	14.0 kg

Flange Dimensions - commercial 2 bolt

Details	Flange	D	d1 (dia)	d2	k (dia)	n x dL
Imperial	1 1/2	4 3/4	1 5/8	2 7/8	3 1/2	2 x 1/2
Metric	40 mm	121	41	73	89	2 x 14



Electrical Information

Rated Power (P2) Hp max	Rated Power (P2) Watts max	Speed Range	Consumed Power (P1) watts min/max	Amps 230/1 (and 230/3)	Motor Protection
0.469	350	1400 - 4600	21 - 450	0.16 - 2.01	Integrated

Minimum Inlet Pressure

122 deg F (50 C)	203 deg F (95 C)	230 deg F (110 C)
7.3 PSI	17.4 PSI	26.1 PSI

**Operating Limits**

Temp Min/Max      14 to 230 Deg F (- 10 to +110 Deg C)  
 Max Ambient Temp    104 Deg F (40 Deg C)  
 Max Working Press    145 PSI (10 Bar)

**Materials of Construction**

Impeller              Fibreglass Reinforced PPS  
 Shaft                 Stainless Steel (X46 Cr13)  
 Bearing              Metal Impregnated Carbon  
 Volute                Cast Iron, Cataphoresis Coated

**Motor/Electronics**

Power Electronics    Frequency Converter - ECM Type  
 Degree of Protection Enclosure 2  
 Insulation Class     H



Wilo USA LLC  
 1290 North 25th Avenue  
 Melrose Park, Illinois 60160  
 Phone: 866 945 6872      Fax: 708 338 9455

www.wilo-na.com

Wilo Canada Inc  
 Bay 7 - 2915 - 10th Ave N. E.  
 Calgary, Alberta, T2A 5L4  
 Phone: 866 945 6236      Fax: 403 277 9456



# WILO Stratos Submittal

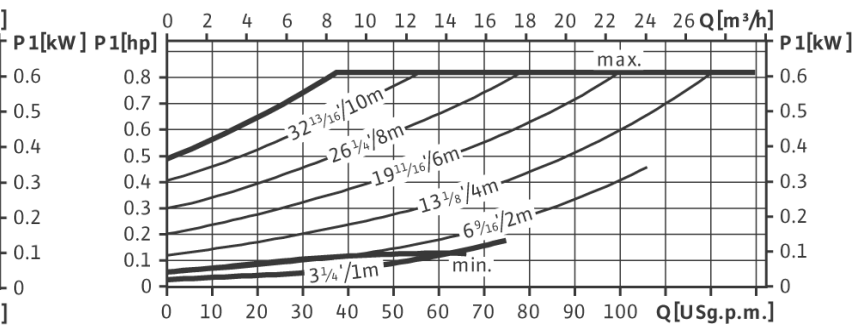
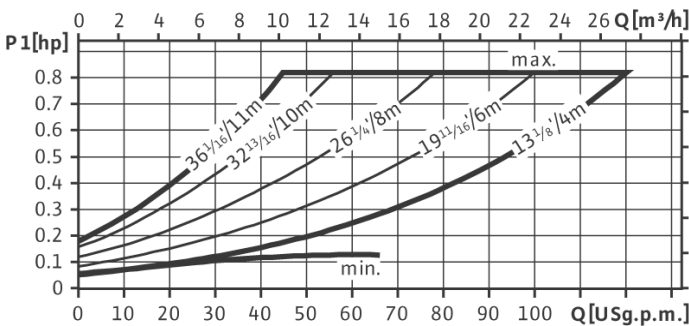
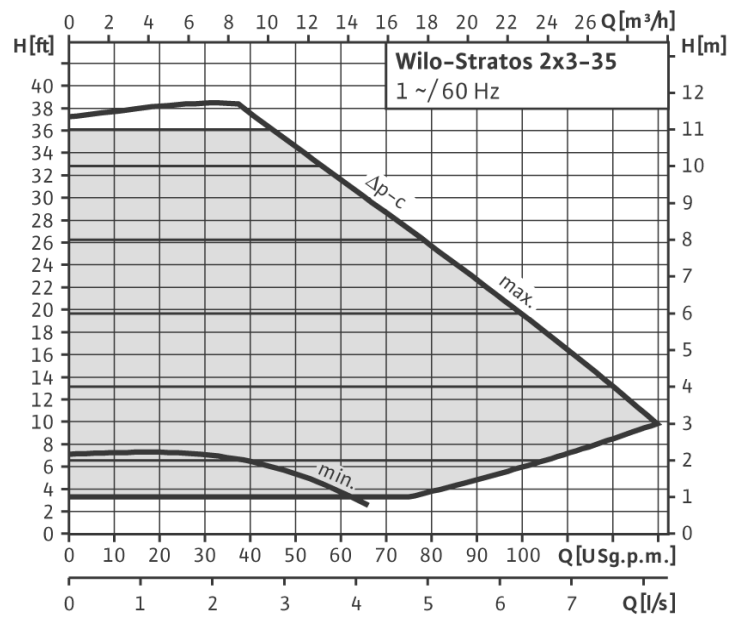
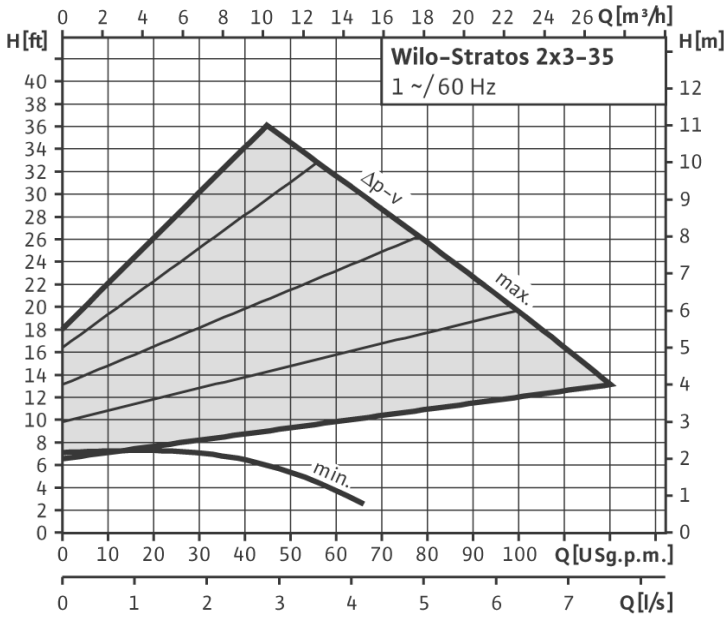
## Stratos 2.0 x 3-35



Pumpen Intelligenz.

Project:	
Engineer:	
Contractor:	
Submitted By:	Date:
Approved By:	Date:

Tag #	Model #	Flow	Head	Volt/Phase	Control	IF Module	Comments
	Stratos 2.0 x 3-35			230/1/60			



### Control Modes

- Δp-v Pressure Differential Variable - factory default setting (set pressure is half at zero flow)
- Δp-c Pressure Differential Constant (set pressure constant)
- Δp-t Temperature Influenced Differential Pressure Control (IR Device Required to Activate)
- Automatic Night Set Back Activated - factory default setting
- Manual Speed Control (RPM x 100)

### IF Interface Modules (optional)

- External Min/0 to 10 Volt DC (0 - 10 Vdc input remotely controls head set point or pump speed)/DP (Dual Pump)
  - External Min (control override) remote, volt free n/c contact
- External Off/OC (Operation Contact)/DP (Dual Pump)
  - External Off (control override) remote, volt free n/c contact,
  - Operation Contact, volt free n/o contact
- LON/DP (LonWorks BMS communication and Dual Pump)

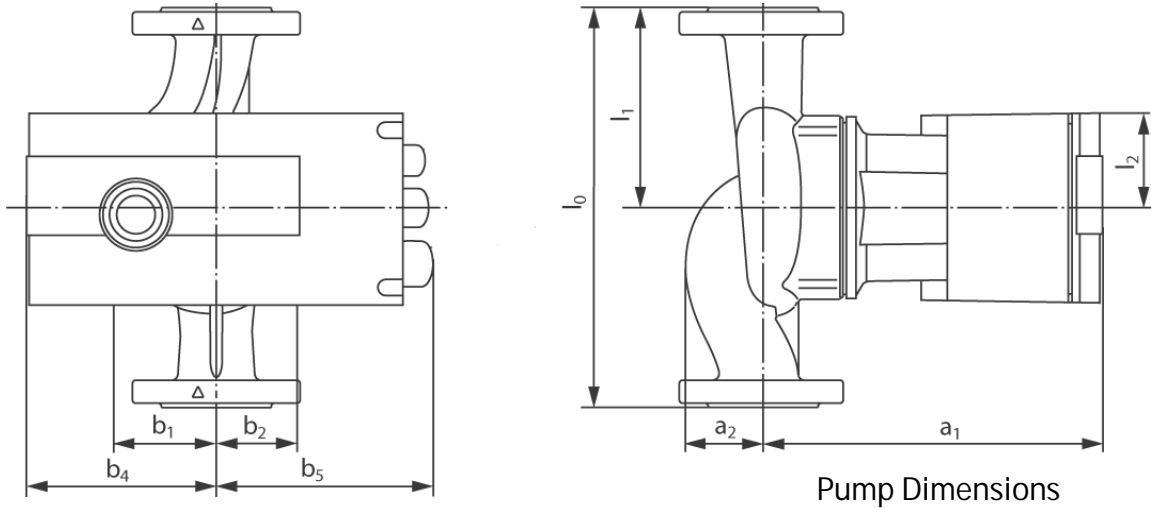


# WILO Stratos Submittal

## Stratos 2.0 x 3-35



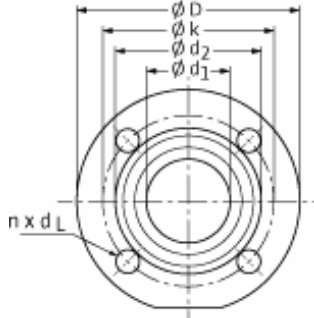
*Pumpen Intelligenz.*



Details	Max Hp	Pipe Size	l <sub>0</sub>	l <sub>1</sub>	l <sub>2</sub>	a <sub>1</sub>	a <sub>2</sub>	b <sub>1</sub>	b <sub>2</sub>	b <sub>4</sub>	b <sub>5</sub>	Weight
Imperial	3/4 Hp	2"	11	5 1/2	2 9/16	10 1/16	2 3/8	3 3/16	2 9/16	4 11/16	5 3/8	37.2 lbs
Metric	500 Watt	50 mm	279	139.5	66	256	62	81.5	65.5	119	136	15.5 kg

**Flange Dimensions (non-ANSI pump flange)**

Details	Flange	D	d1 (dia)	d2	k (dia)	n x dL
Imperial	2"	5 1/4	2 1/16	3 7/16	4	4 x 1/2
Metric	50 mm	133	53	87	102	4 x 14



**Electrical Information**

Rated Power (P2) Hp max	Rated Power (P2) Watts max	Speed Range	Consumed Power (P1) watts min/max	Amps 230/1 (and 230/3)	Motor Protection
0.671	500	1400 - 4600	21 - 620	0.16 - 2.70	Integrated

**Minimum Inlet Pressure**

122 deg F (50 C)	203 deg F (95 C)	230 deg F (110 C)
7.3 PSI	17.4 PSI	26.1 PSI

**Operating Limits**

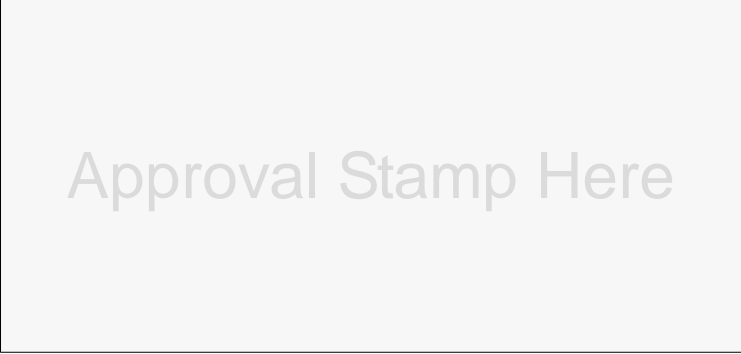
Temp Min/Max      14 to 230 Deg F (- 10 to +110 Deg C)  
 Max Ambient Temp    104 Deg F (40 Deg C)  
 Max Working Press    145 PSI (10 Bar)

**Materials of Construction**

Impeller              Fibreglass Reinforced PPS  
 Shaft                  Stainless Steel (X46 Cr13)  
 Bearing                Metal Impregnated Carbon  
 Volute                  Cast Iron, Cataphoresis Coated

**Motor/Electronics**

Power Electronics    Frequency Converter - ECM Type  
 Degree of Protection Enclosure 2  
 Insulation Class      H



Wilo USA LLC  
 1290 North 25th Avenue  
 Melrose Park, Illinois 60160  
 Phone: 866 945 6872      Fax: 708 338 9455

www.wilo-na.com

Wilo Canada Inc  
 Bay 7 - 2915 - 10th Ave N. E.  
 Calgary, Alberta, T2A 5L4  
 Phone: 866 945 6236      Fax: 403 277 9456



# WILO Stratos Submittal

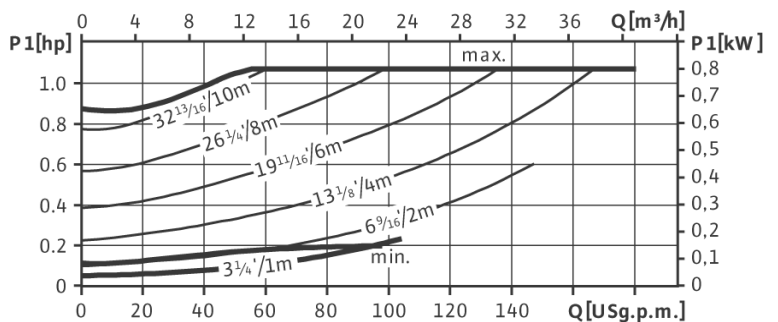
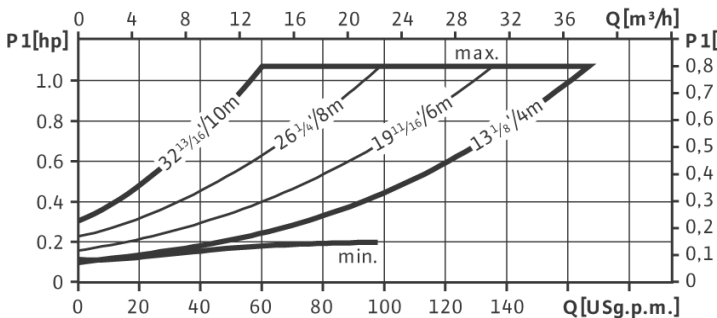
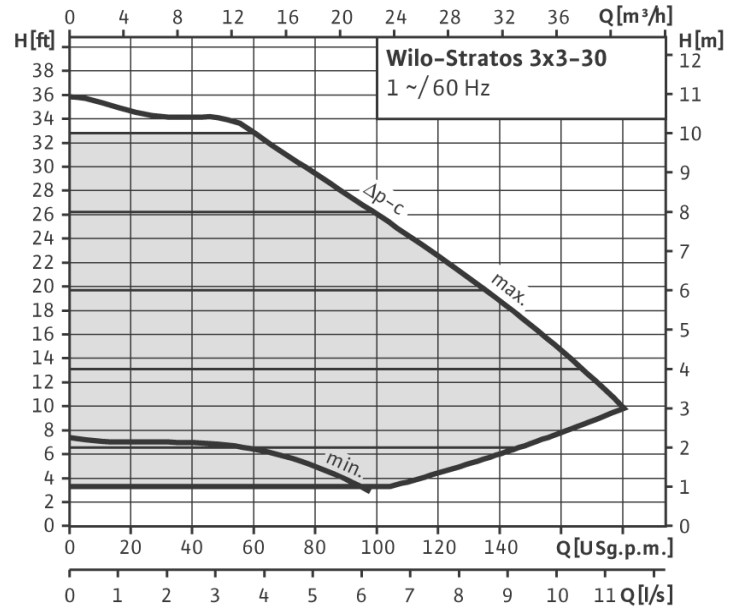
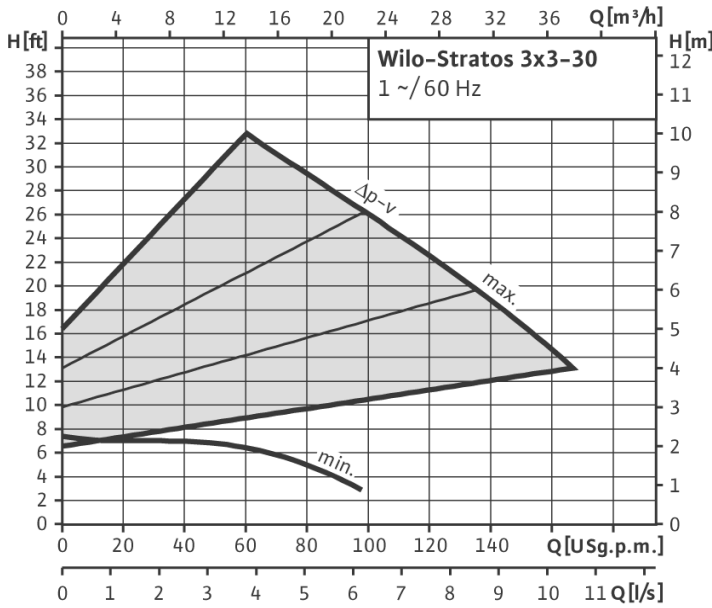
## Stratos 3.0 x 3-30



Pumpen Intelligenz.

Project:	
Engineer:	
Contractor:	
Submitted By:	Date:
Approved By:	Date:

Tag #	Model #	Flow	Head	Volt/Phase	Control	IF Module	Comments
	Stratos 3.0 x 3-30			230/1/60			



### Control Modes

- $\Delta p-v$  Pressure Differential Variable - factory default setting (set pressure is half at zero flow)
- $\Delta p-c$  Pressure Differential Constant (set pressure constant)
- $\Delta p-t$  Temperature Influenced Differential Pressure Control (IR Device Required to Activate)
- Automatic Night Set Back Activated - factory default setting
- Manual Speed Control (RPM x 100)

### IF Interface Modules (optional)

- External Min/0 to 10 Volt DC (0 - 10 Vdc input remotely controls head set point or pump speed)/DP (Dual Pump)
  - External Min (control override) remote, volt free n/c contact
- External Off/OC (Operation Contact)/DP (Dual Pump)
  - External Off (control override) remote, volt free n/c contact,
  - Operation Contact, volt free n/o contact
- LON/DP (LonWorks BMS communication and Dual Pump)

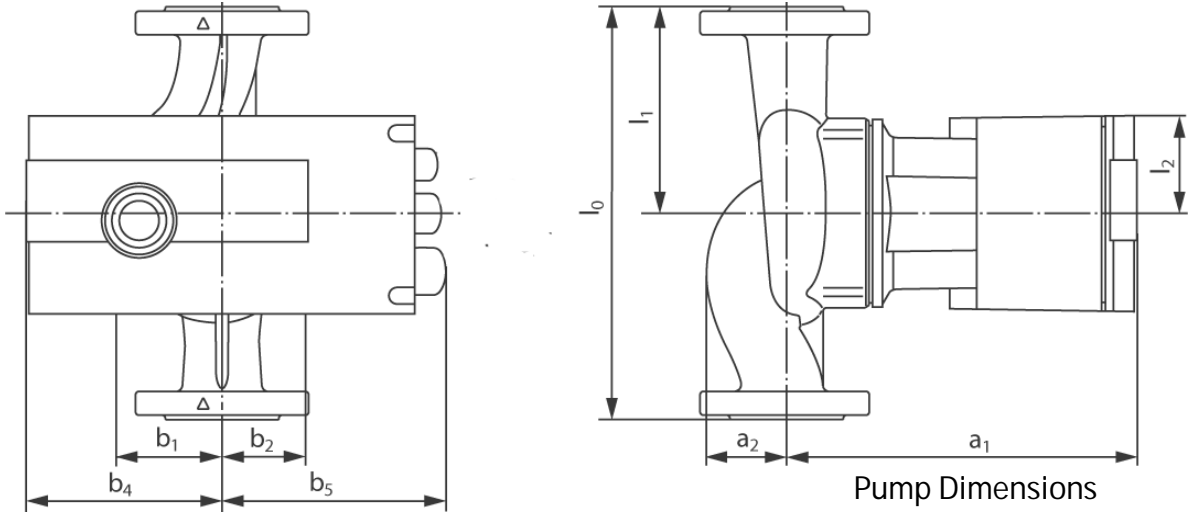


# WILO Stratos Submittal

## Stratos 3.0 x 3-30



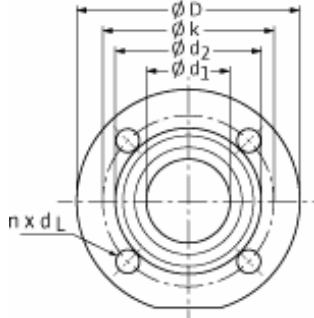
*Pumpen Intelligenz.*



Details	Max Hp	Pipe Size	l <sub>0</sub>	l <sub>1</sub>	l <sub>2</sub>	a <sub>1</sub>	a <sub>2</sub>	b <sub>1</sub>	b <sub>2</sub>	b <sub>4</sub>	b <sub>5</sub>	Weight
Imperial	1.0 Hp	3"	14	7	3 1/16	12 13/16	3 3/8	4	3 1/4	6 1/8	6 7/16	41.9 lbs
Metric	650 Watt	80 mm	356	178	78	325	87	101	82	155	164	19.0 kg

### Flange Dimensions (3" 125 # ANSI)

Details	Flange	D	d1 (dia)	d2	k (dia)	n x dL
Imperial	3"	7 1/2	3 1/4	5	6	4 x 3/4
Metric	80 mm	192	82	128	152	4 x 19



### Electrical Information

Rated Power (P2) Hp max	Rated Power (P2) Watts max	Speed Range	Consumed Power (P1) watts min/max	Amps 230/1 (and 230/3)	Motor Protection
0.872	650	950 - 3300	38 - 800	0.28 - 3.50	Integrated

### Minimum Inlet Pressure

122 deg F (50 C)	203 deg F (95 C)	230 deg F (110 C)
10.2 PSI	21.8 PSI	33.4 PSI

### Operating Limits

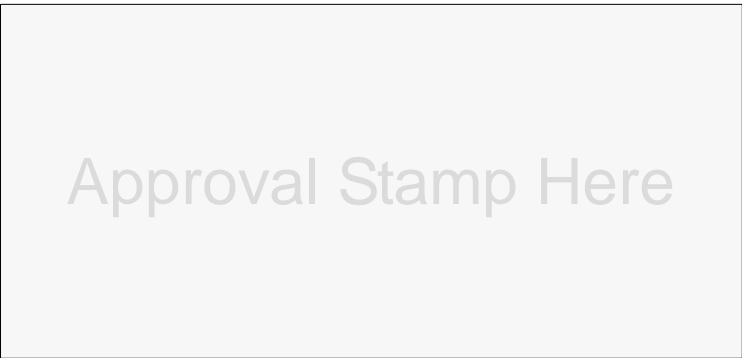
Temp Min/Max      14 to 230 Deg F (- 10 to +110 Deg C)  
 Max Ambient Temp    104 Deg F (40 Deg C)  
 Max Working Press    145 PSI (10 Bar)

### Materials of Construction

Impeller              Fibreglass Reinforced PP  
 Shaft                  Stainless Steel (X46 Cr13)  
 Bearing              Metal Impregnated Carbon  
 Volute                Cast Iron, Cataphoresis Coated

### Motor/Electronics

Power Electronics    Frequency Converter - ECM Type  
 Degree of Protection Enclosure 2  
 Insulation Class     H



Wilo USA LLC  
 1290 North 25th Avenue  
 Melrose Park, Illinois 60160  
 Phone: 866 945 6872      Fax: 708 338 9455

www.wilo-na.com

Wilo Canada Inc  
 Bay 7 - 2915 - 10th Ave N. E.  
 Calgary, Alberta, T2A 5L4  
 Phone: 866 945 6236      Fax: 403 277 9456



# WILO Stratos Submittal

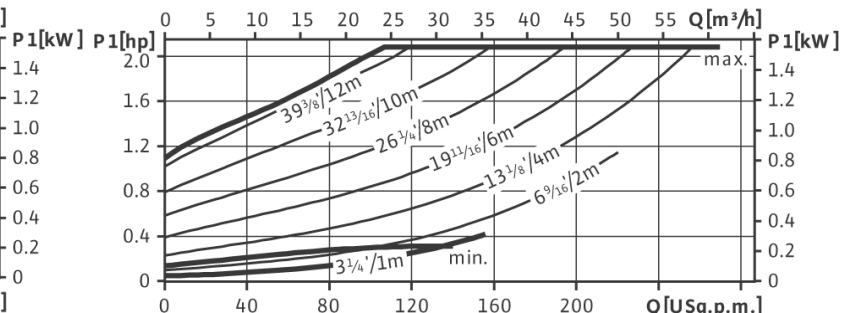
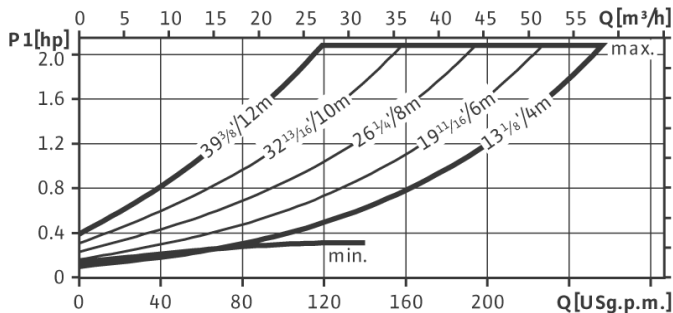
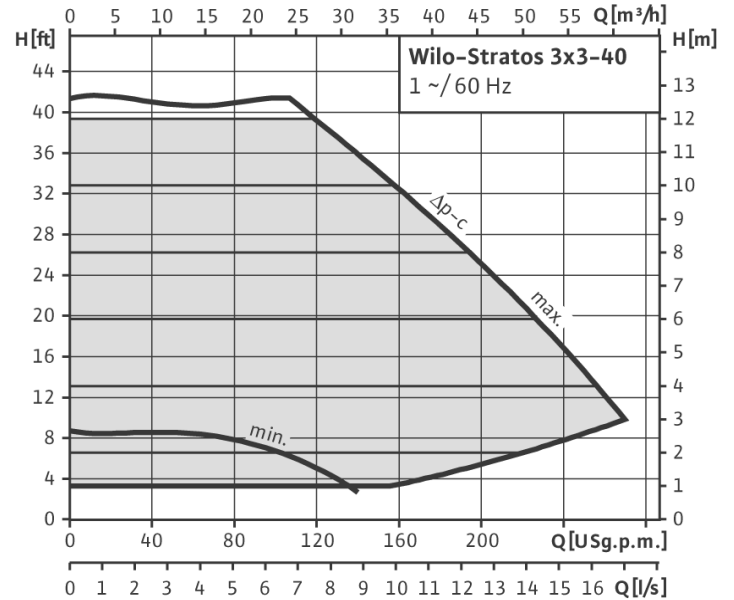
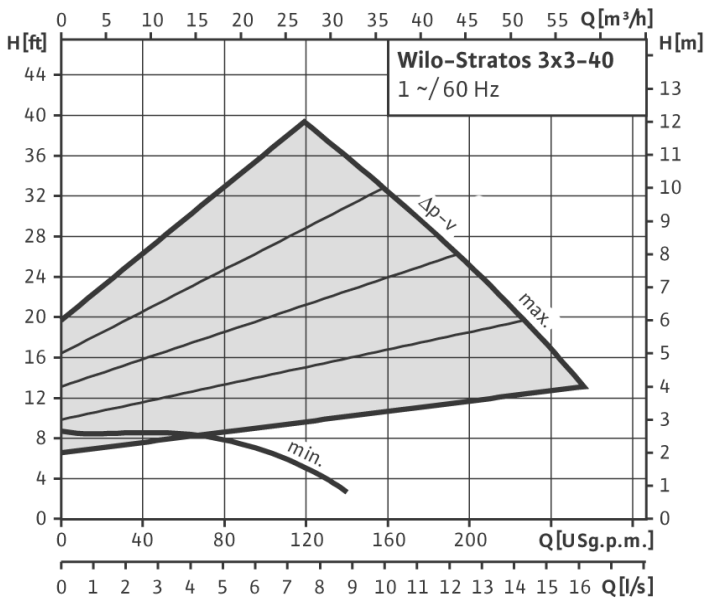
## Stratos 3.0 x 3-40



Pumpen Intelligenz.

Project:							
Engineer:							
Contractor:							
Submitted By:				Date:			
Approved By:				Date:			

Tag #	Model #	Flow	Head	Volt/Phase	Control	IF Module	Comments
	Stratos 3.0 x 3-40			230/1/60			



### Control Modes

- $\Delta p-v$  Pressure Differential Variable - factory default setting (set pressure is half at zero flow)
- $\Delta p-c$  Pressure Differential Constant (set pressure constant)
- $\Delta p-t$  Temperature Influenced Differential Pressure Control (IR Device Required to Activate)
- Automatic Night Set Back Activated - factory default setting
- Manual Speed Control (RPM x 100)

### IF Interface Modules (optional)

- External Min/0 to 10 Volt DC (0 - 10 Vdc input remotely controls head set point or pump speed)/DP (Dual Pump)
  - External Min (control override) remote, volt free n/c contact
- External Off/OC (Operation Contact)/DP (Dual Pump)
  - External Off (control override) remote, volt free n/c contact,
  - Operation Contact, volt free n/o contact
- LON/DP (LonWorks BMS communication and Dual Pump)



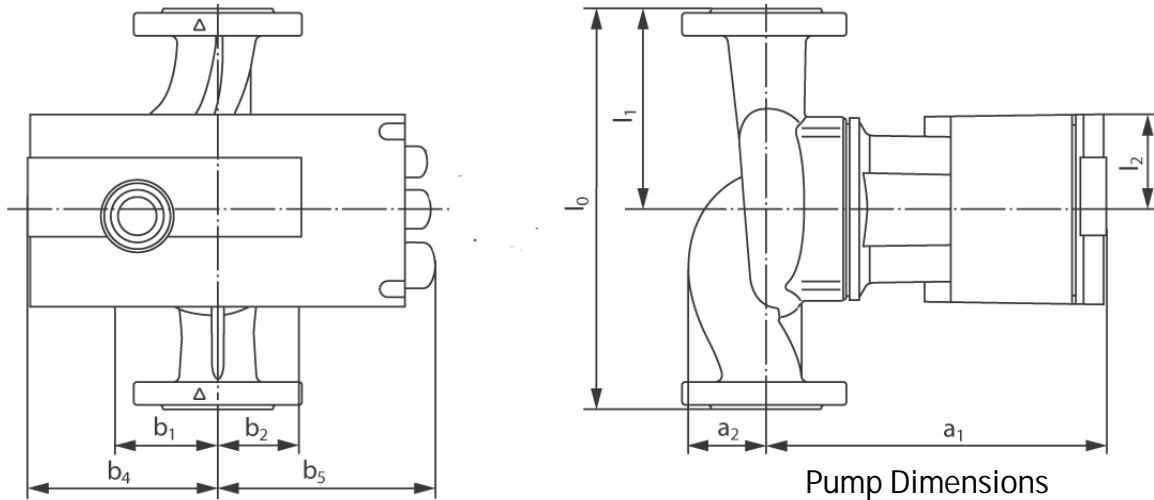


# WILO Stratos Submittal

## Stratos 3.0 x 3-40



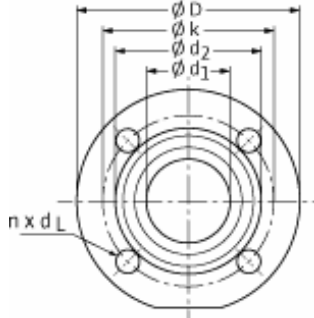
*Pumpen Intelligenz.*



Details	Max Hp	Pipe Size	l <sub>0</sub>	l <sub>1</sub>	l <sub>2</sub>	a <sub>1</sub>	a <sub>2</sub>	b <sub>1</sub>	b <sub>2</sub>	b <sub>4</sub>	b <sub>5</sub>	Weight
Imperial	1 3/4 Hp	3"	14	7	3 1/16	12 15/16	3 9/16	4 7/16	3 9/16	6 1/8	6 7/16	68.3 lbs
Metric	1300 Watt	80 mm	356	178	78	329	90	113	90	155	164	31.0 kg

### Flange Dimensions (3" 125 # ANSI)

Details	Flange	D	d1 (dia)	d2	k (dia)	n x dL
Imperial	3"	7 1/2	3 1/4	5	6	4 x 3/4
Metric	80 mm	192	82	128	152	4 x 19



### Electrical Information

Rated Power (P2) Hp max	Rated Power (P2) Watts max	Speed Range	Consumed Power (P1) watts min/max	Amps 230/1 (and 230/3)	Motor Protection
1.743	1300	900 - 3300	40 - 1550	0.30 - 6.8	Integrated

### Minimum Inlet Pressure

122 deg F (50 C)	203 deg F (95 C)	230 deg F (110 C)
10.2 PSI	21.8 PSI	33.4 PSI

### Operating Limits

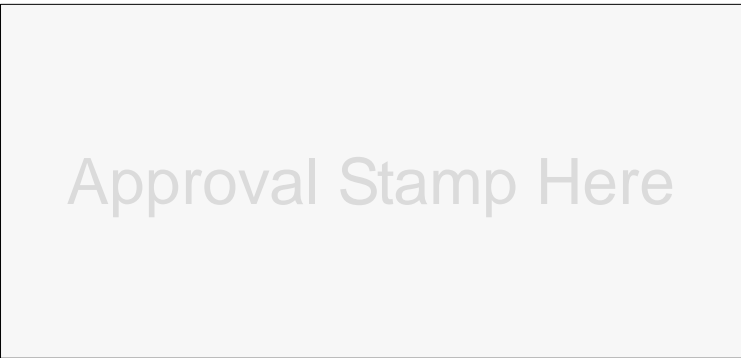
Temp Min/Max      14 to 230 Deg F (- 10 to +110 Deg C)  
 Max Ambient Temp    104 Deg F (40 Deg C)  
 Max Working Press    145 PSI (10 Bar)

### Materials of Construction

Impeller              Fibreglass Reinforced PP  
 Shaft                  Stainless Steel (X46 Cr13)  
 Bearing                Metal Impregnated Carbon  
 Volute                  Cast Iron, Cataphoresis Coated

### Motor/Electronics

Power Electronics    Frequency Converter - ECM Type  
 Degree of Protection Enclosure 2  
 Insulation Class      H



Wilo USA LLC  
 1290 North 25th Avenue  
 Melrose Park, Illinois 60160  
 Phone: 866 945 6872

Fax: 708 338 9455

www.wilo-na.com

Wilo Canada Inc  
 Bay 7 - 2915 - 10th Ave N. E.  
 Calgary, Alberta, T2A 5L4  
 Phone: 866 945 6236    Fax: 403 277 9456