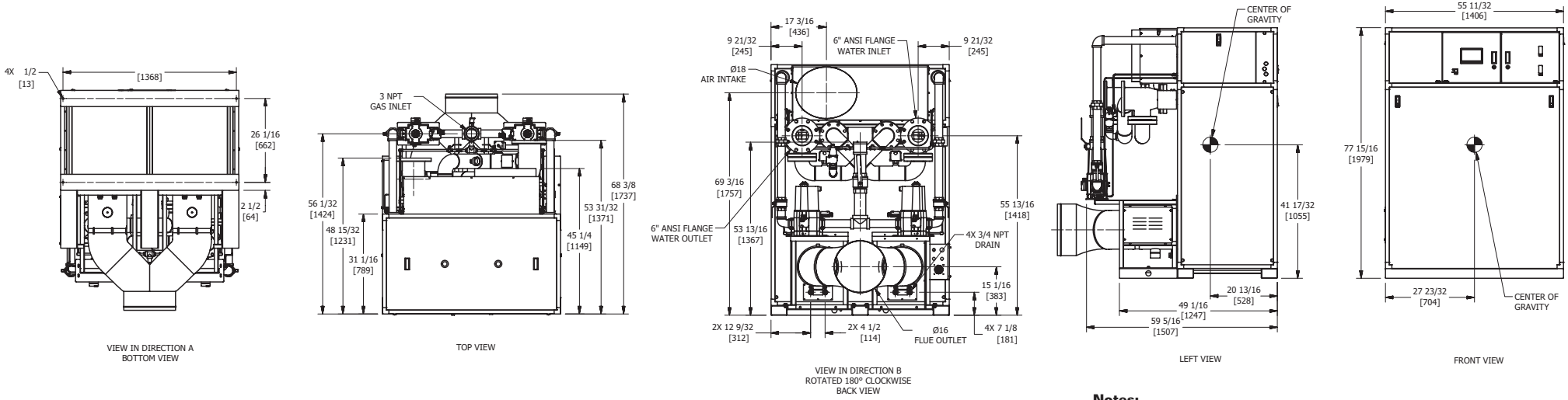


# INDOOR UNIT

RSUB-162.A



- Notes:**
1. Dimensions are approximate and should not be used to "rough-in" equipment.
  2. Dimensions are subject to change without notice.
  3. All dimensions are in inches (mm).

## BOILER CERTIFIED RATINGS & CAPACITIES

<b>Fuel Type</b>	Natural/Propane Gas	<b>Boiler FLA</b>	21.1* @ 230V
<b>Input BTU/hr.</b>	10,000,000 / 2931 kW	<b>Min. Gas Pressure Required</b>	3.5" WC**
<b>Output BTU/hr.</b>	8,510,000 / 2494 kW	<b>Max. Gas Pressure Allowed</b>	14" WC
<b>Electrical Requirements</b>	(L1, L2, L3, GND) 230 VAC / 3PH / 60Hz	<b>Operating Weight</b>	3641 lbs / 1652 kgs

## BOILER TEMPERATURE RISE / PRESSURE DROP†

30°F / 16.7°C				35°F / 19.4°C			
Flow Rate		Pressure Drop		Flow Rate		Pressure Drop	
GPM	L/s	Ft	kPa	GPM	L/s	Ft	kPa
567.6	35.8	33.0	98.7	486.5	30.7	24.3	72.5

† Cupronickel heat exchanger standard.

## BOILER / WATER HEATER TRIM & CONTROLS

<b>Main Gas Valve Body (2)</b>	Dungs MBC 4000	<b>High Limit (Manual Reset)</b>	Jumo
<b>Firing Valve (2)</b>	Honeywell B200T1066 2"	<b>High Limit (Auto Reset)</b>	Jumo
<b>Main Ball Valve</b>	3"	<b>Blocked Flue Switch</b>	HUBA
<b>Manual Pilot Valve</b>	1/4" Honeywell B528	<b>Air Switch</b>	HUBA
<b>Pilot Regulator</b>	White-Rodgers 25m	<b>Blower Motor (2)</b>	American Fan 5 HP - FLA 9
<b>Ignition Control (2)</b>	Honeywell RM7895C	<b>Relief Valve - MB (2)</b>	1-1/2" x 2" set @ 50 psi
<b>Operating Control</b>	HeatNet®	<b>Flow Switch (2)</b>	ITT FS8W

## A.S.M.E.

<b>ASME Sect IV Htg Surface</b>	1088.6 Sq Ft / 101.1 Sq M	<b>Design Data</b>	Max. 160 psig & 250°F
<b>Water Volume</b>	31.2 gal / 118.24 Liters		

\* Add circulator amps.  
 \*\* For incoming gas pressures lower than 3.5" W.C. natural or propane, consult factory.

**REP FIRM** \_\_\_\_\_  
**SUBMITTED BY** \_\_\_\_\_  
**JOB NAME** \_\_\_\_\_  
**ARCHITECT** \_\_\_\_\_  
**ENGINEER** \_\_\_\_\_  
**CONTRACTOR** \_\_\_\_\_  
**DATE** \_\_\_\_\_

## FUTERA XLF 10000

**Category I, II or IV Appliance**  
 (see Installation and Operation Manual for venting information)



A Division of Mestek, Inc.  
 Westfield, MA 01085  
 (413) 568-9571