

To the Installer:

Please attach these instructions next to the water heater.

To the Consumer:

Please read these and all component instructions and keep for future reference.



Indirect Water Heater Instruction Manual

Warranty, Registration Card and Parts List are included.
Homeowner: Please remember to return the Registration Card!

WARNING

Improper installation, adjustment, alteration, service or maintenance can cause serious injury or property damage. Refer to this manual. For assistance or additional information, consult a qualified installer or service agency.

CAUTION

The recommended temperature for normal residential use is 120°F. The dial on the aquastat does not always reflect the out-coming water temperature, which could occasionally exceed 120°F. The variation in out-coming temperature could be based on factors including but not limited to usage patterns and type of installation. Test your water at the tap nearest to the water heater.

WARNING

Hotter water increases the risk of scald injury. Before adjusting the water temperature setting, read this instruction manual. Temperatures at which injury occurs vary with the person’s age and the length of exposure.

The slower reaction time of children, elderly, and physically or mentally challenged persons increases the scalding hazard to them. It is recommended that lower water temperatures be used where these exposure hazards exist. Such households may require a temperature setting less than 120°F to prevent accidental contact with hot water.

To lower water temperature use point-of-use temperature limiting devices.

WARNING

Water heater blankets are not recommended and will void the warranty.

THIS MANUAL HAS BEEN PREPARED TO ACQUAINT YOU WITH THE INSTALLATION, OPERATION, AND MAINTENANCE OF YOUR WATER HEATER AND TO PROVIDE IMPORTANT SAFETY INFORMATION.

INSTALLER RESPONSIBILITIES

Please read all instructions thoroughly before installing or placing the heater into service. This unit must be installed by licensed or authorized installers, or technical personnel that service water heating equipment. The heater must be installed in accordance with all local codes and ordinances.

These instructions are a guide for the correct installation of the water heater. The manufacturer will not be liable for damages caused by failure to comply with the installation and operating instructions outlined on the following pages.

CAUTION

The recommended water temperature setting for normal residential use is 120°F/49°C.

HANDLING

Before uncrating, check for shipping damage. Report any damage to your carrier. Note damage on bill of lading or delivery receipt and file a claim.

FAILURE TO FOLLOW THESE INSTRUCTIONS OR ALL APPLICABLE BUILDING CODES AND REGULATIONS VOIDS THE WARRANTY ON THIS WATER HEATER.

Read all instructions thoroughly before attempting installation or operation of your water heater. Keep these instructions for future reference.

Local plumbing and electrical codes must be followed in the installation of this water heater. In the absence of a local code use the UNIFORM PLUMBING CODE and the NFPA Code. Local codes may supersede instructions in this installation manual.

These instructions are a guide for the correct installation of the water heater. The manufacturer will not be liable for damages caused by failure to comply with the installation and operating instructions outlined on the following pages.

TABLE OF CONTENTS

Section I: Specifications 3

Section II: General Information 5

Section III: Pre-Installation 7

Section IV: Installation 9

Section V: Maintenance 12

Section VI: Troubleshooting 13

Section VII: Parts List 14

Section VIII: Warranty 15



SECTION I: SPECIFICATIONS

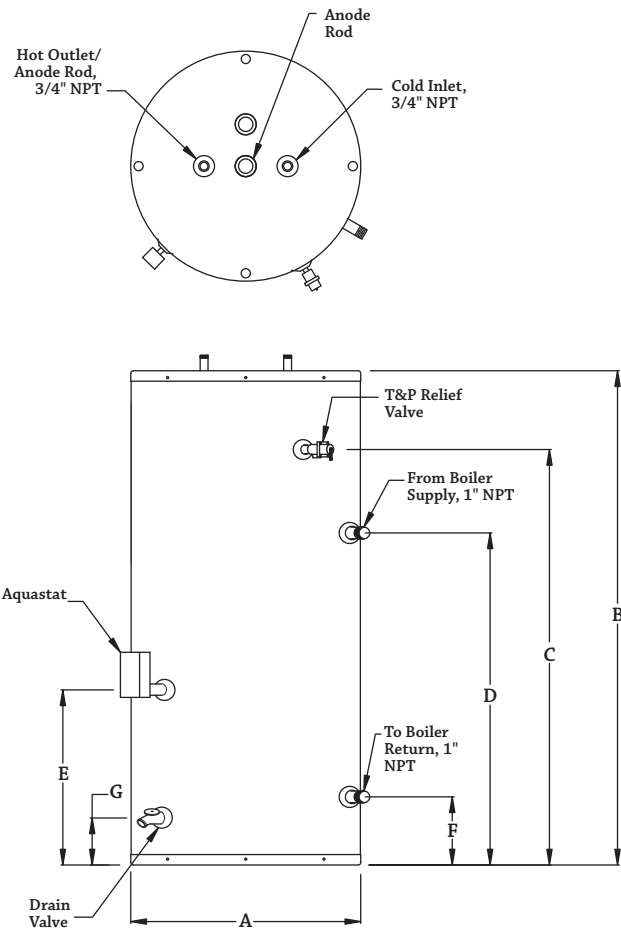


Figure 1: 30SK, 40SK, 50SK

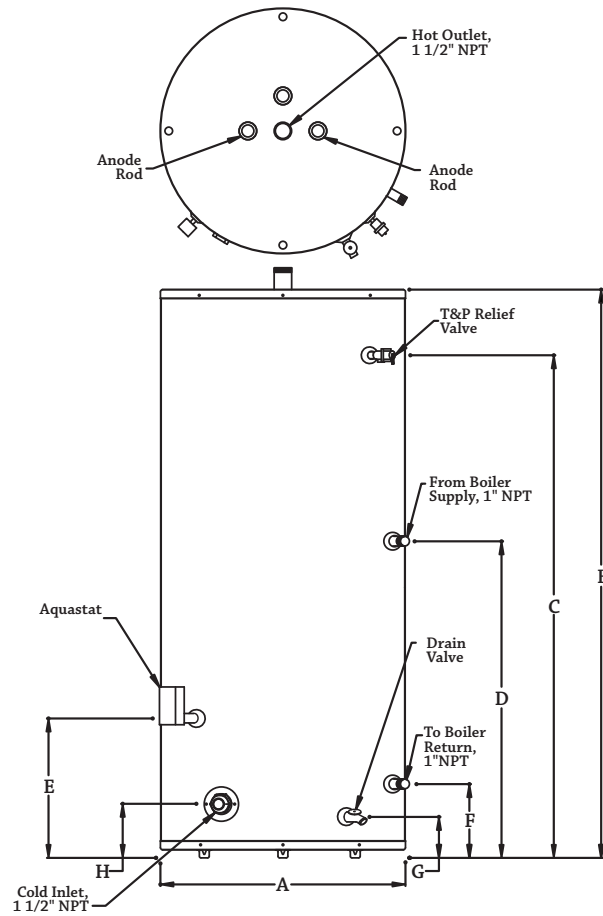


Figure 2: 80SK, 119SK

Table 1: Dimensions

D i m e n s i o n s								
Model	A	B	C	D	E	F	G	H
30SK	22	35 ¼	27 ¾	19 ½	11 ¾	6 ½	4 ½	n/a
40SK	22	42 ¼	34 ¾	31 ½	16 ¾	6 ½	4 ½	n/a
50SK	22	48 ¼	39 ¾	31 ½	16 ¾	6 ½	4 ½	n/a
80SK	24	64	57 ⅞	33	19 ¼	8	5	5
119SK	28	65	57 ¾	33 ¾	16 ¼	8 ¾	5	6 ½

Foam insulation standard on Indirect models. **Pressures, all:** Test pressure, 300 PSI Working pressure, 150 PSI Standard voltage, all: 120V, 60Hz, 1P. **T&P valve installed;** nipples supplied for top connection.

WARNING: Installation should be in accordance with all national and/or local codes.

CAUTION: The recommended water temperature setting for normal residential use is 120°F. Bock recommends a tempering valve or anti-scald valve be installed and used according to the manufacturer's directions to prevent scalding.

SECTION I: SPECIFICATIONS (cont.)

Table 2: Capacity & Performance

Model	Capacities		Performance					
	Actual Tank Volume (gal)	Coil Volume (gal)	First Hour Rating (gal)*	Continuous Draw Rating (GPH)*	First Draw Rating (gal)*	Minimum Coil Output (BTU/Hr)**	Standby Loss Rating (°F/hr)	Heat Source Friction Loss (ft. w.c.)
30SK	30	1.4	119	92	27	59,000	1.5	2.3
40SK	38	2.3	198	165	33	105,000	1.5	3.4
50SK	45	2.3	205	165	40	105,000	1.1	3.4
80SK	75	2.8	259	189	70	120,000	0.8	3.5
119SK	110	2.8	291	189	102	120,000	1.2	3.5

NOTES:

* Based on 77°F rise with 58°F potable water inlet temperature at 14 GPM heat source flow rate. Heat source temperature was 180°F.

** Minimum Coil output based on continuous boiler operation over 30 minutes. See Section III for additional considerations.

All data obtained through testing in accordance with GAMA INDIRECT-FIRED WATER HEATER TESTING STANDARD IWH-TS-1_MARCH 2003

Table 3: Performance (cont.)

Model	FIRST HOUR RATING (gal) @ Coil Output (Btu/hr)						
	180°F 8 GPM*	180°F 10 GPM*	180°F 12 GPM*	200°F 8 GPM*	200°F 10 GPM*	200°F 12 GPM*	200°F 14 GPM*
30SK	115 @ 56,000	117 @ 57,000	118 @ 58,000	138 @ 71,000	144 @ 75,000	149 @ 78,000	154 @ 81,000
40SK	173 @ 89,000	183 @ 96,000	191 @ 101,000	214 @ 115,000	226 @ 123,000	235 @ 129,000	243 @ 134,000
50SK	180 @ 89,000	190 @ 96,000	198 @ 101,000	221 @ 115,000	233 @ 123,000	242 @ 129,000	250 @ 134,000
80SK	233 @ 104,000	245 @ 111,000	254 @ 117,000	277 @ 132,000	292 @ 141,000	304 @ 149,000	314 @ 155,000
119SK	265 @ 104,000	277 @ 111,000	286 @ 117,000	309 @ 132,000	324 @ 141,000	336 @ 149,000	346 @ 155,000

NOTES:

First Hour Rating = First Draw + Continuous Draw

* Coil Input (temperature, flow rate). Ratings based on 77°F rise with 58°F inlet potable water.

All data obtained through testing in accordance with GAMA INDIRECT-FIRED WATER HEATER TESTING STANDARD IWH-TS-1_MARCH 2003

SECTION II: GENERAL INFORMATION

LOCATION

The indirect water heater should be located in a central location to the piping system, as close as practical to the boiler and in an area not subject to freezing temperatures. Leave sufficient space for servicing and maintaining the heater.

Note: Long heating supply runs can lengthen recovery times.

WATER TREATMENT/FILTRATION

In areas where poor water conditions are suspected (i.e. lime, iron, and other minerals), it is essential that the water be tested and appropriate action taken to prevent damage to the indirect heater and ensure the quality of the water.

TEMPERATURE CONTROL

Water temperature from the heat source / boiler to the indirect water heater is controlled by an immersion aquastat. This control operates the circulator, and provides limited control for domestic hot water temperature. The proper temperature setting for domestic hot water use is 120°F/49°C. If hotter water is required a tempering device or anti-scald device must be installed at the domestic hot water outlet of the heater or at the point of use.

**CAUTION: Hot water in excess of 120°F
can cause scalding!**

Bock recommends a tempering valve or anti-scald valve be installed and used according to the manufacturer's directions to prevent scalding. Many state and local codes now require installation of these devices. The tempering valve or anti-scald valve will ensure potable water temperatures at the desired set point with a higher degree of accuracy.

APPROXIMATE TEMPERATURE/TIME RELATIONSHIPS TO SCALDING	
120°F	More than 5 minutes
125°F	1 ½ to 2 minutes
130°F	About 30 seconds
135°F	About 10 seconds
140°F	Less than 5 seconds
145°F	Less than 3 seconds
150°F	About 1 ½ seconds
155°F	About 1 second

SECTION II: GENERAL INFORMATION (cont.)

ANODE RODS

The anode rod is used as a sacrificial element within the volume of the storage tank. The purpose of the magnesium anode rod is to protect the inside of the tank against corrosion. Anode rods should be inspected twice in the first year and at least yearly once a time interval for inspection has been developed. Water conditions can influence the consumption rate of the anode rods. Please see the Maintenance section of this manual for instructions on how to change the anode rods in your Bock water heater.

CAUTION: *Hydrogen gas is produced in a hot water system served by this heater that has not been used for a long period of time (2 weeks or more). Hydrogen gas is extremely flammable. To reduce the risk of injury under these conditions, it is recommended that the hot water faucet be opened for several minutes at the kitchen sink before using any electrical appliance connected to the hot water system. When hydrogen is present, there will probably be an unusual sound such as air escaping through the pipe as the water begins to flow. There should be no smoking or open flame near the faucet at the time it is open (UL 174).*

TEMPERATURE AND PRESSURE RELIEF VALVE (T&P)

The T&P valve is factory installed. A discharge drain tube must be installed (responsibility of the installer) and shall terminate plain, not threaded, 6 inches above the floor drain. The drain tube material must be approved for temperatures of 120°F or greater, and a pressure of 150 PSI or greater.

BACK-FLOW PREVENTER (CLOSED LOOP SYSTEM)

Some local municipal codes and ordinances require the use of these devices on potable (domestic) water lines. Where back-flow preventers are required, it will be necessary to install a **thermal expansion tank** (designed for used with potable water) in order to prevent pressure build up in the indirect heater and associated piping, which could cause the T&P valve to discharge. Follow the expansion tank manufacturer's recommendations when selecting a tank for your hot water system.

Note: Working pressure of the water heater is 150 PSI. Do not exceed 150 PSI.

SECTION III: PRE-INSTALLATION

BOILER AND CIRCULATOR SIZING

The ratings published in this manual for your Bock indirect water heater can be obtained through proper selection of boiler output and circulator capacity. As noted, the ratings in Table 2 are based on a 77°F rise with 58°F potable water inlet temperature at a circulator pump flow rate of 14 GPM. The boiler was set at 180°F. See Table 3 for additional first hour ratings at pump flow rates of 8, 10, 12 and 14 GPM with 180°F and 200°F boiler water.

To determine the appropriate circulator for your system, follow these three steps:

- 1) Calculate the pressure drop of all straight pipe and fittings on the supply and return at the desired flow rate.
- 2) Add the pressure drop from Step 1 to the pressure drop through the indirect coil tank water heater coil (see Table 2 for friction loss) to obtain a total pressure drop.
- 3) Select a circulator pump that will provide adequate flow at the total pressure drop.

A pump performance curve should accompany every circulator pump. Figures 3-5 contain performance curves for Taco and Grundfos circulator pumps, recommended by Bock.

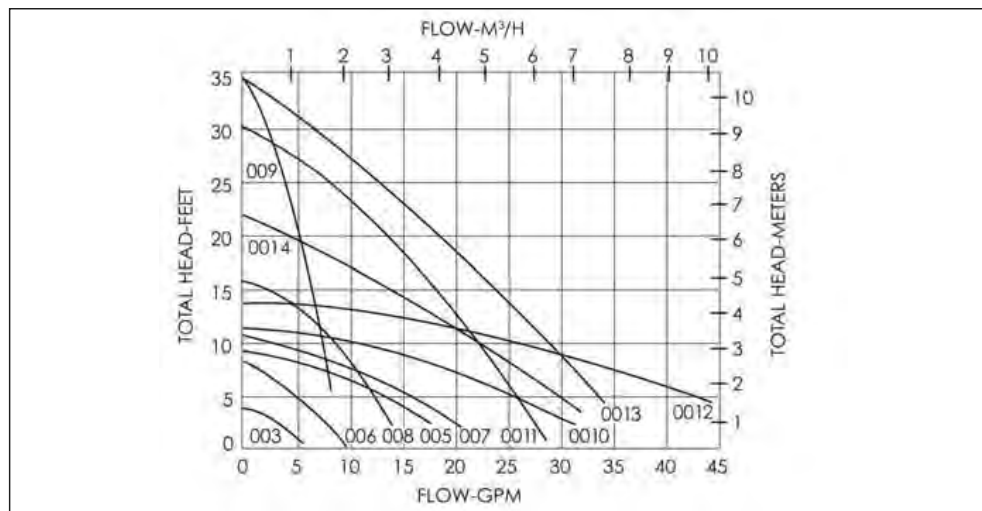


Figure 3: Taco 00 Series performance curves

SECTION III: PRE-INSTALLATION (cont.)

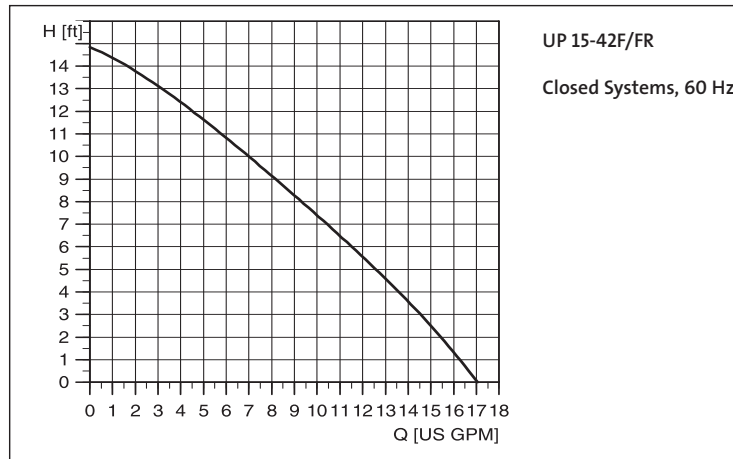


Figure 4: GRUNDFOS UP 15-42F performance curve

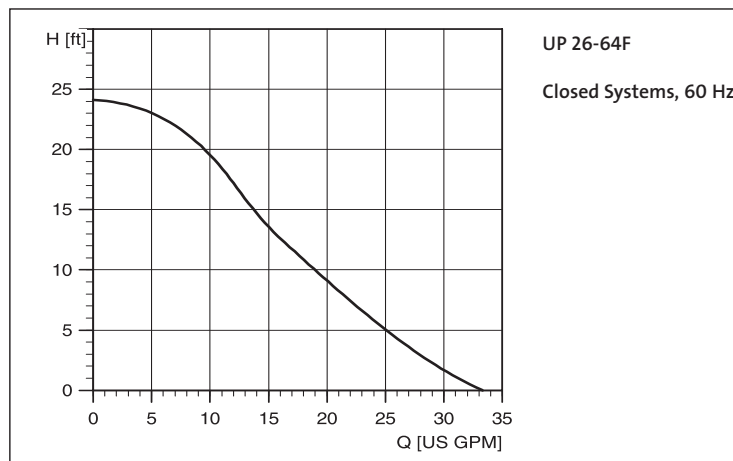


Figure 5: GRUNDFOS UP 26-64F performance curve

Note: Zone valves on the heat source supply to the indirect heater are not recommended and will drastically reduce performance.

System performance can also vary based on the heating capacity of the boiler. If the minimum coil output (assume coil output = boiler output) listed in Tables 2 and 3 is not met, the output (first hour rating) of the water heater will not be met at the selected flow rate. To approximate the reduction in first hour rating as a result of low boiler capacity, use the following formula:

$$\text{New first hour rating} = (\text{First hour rating}) * (\text{Actual boiler output}) / (\text{Minimum coil output})$$

For example, the first hour rating of a 50SK at a 77°F rise with an 14 GPM heat source flow rate using a boiler having a DOE heating capacity (output) of 60,000 BTU/Hr would be:

$$\text{New first hour rating} = (205 \text{ gal}) * (60,000 \text{ BTU/Hr}) / (94,000 \text{ BTU/Hr}) = 131 \text{ gal}$$

SECTION IV: INSTALLATION

WATER CONNECTIONS

All piping between the boiler and the indirect heater should be new copper with a minimum size of 3/4" ID for models 30SK, 40SK, and 50SK. Use 1" minimum copper for models 80SK and 119SK. Elbows should be minimized. A flow check valve must be installed on the return line.

All piping to the inlet (cold) and outlet (hot) domestic water connections should be new copper with a minimum size of 1/2" ID for models 30SK, 40SK, and 50SK. Use 3/4" ID minimum for models 80SK and 119SK.

All piping should conform to local codes and ordinances. At a minimum, refer to IHLR 84 code if local codes are not in place. It is recommended that all piping be adequately insulated with approved material to ensure minimum heat loss. If a re-circulation line is used for domestic water, be certain that all lines are well insulated and the circulator is temperature controlled. Install isolation valves to permit proper servicing. It is also recommended to install a union on the domestic outlet to facilitate replacement of the hot outlet / anode nipple on models 30SK, 40SK, and 50SK.

See Figures 6 and 7 for proper water connection installation.

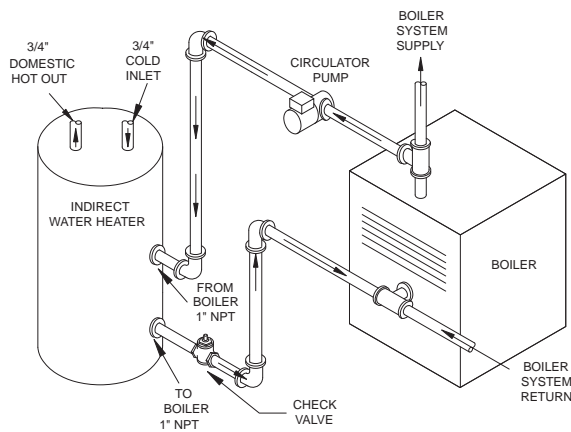


Figure 6: 30SK, 40SK, 50SK water connections

Note: Indirect may be connected to a steam boiler provided that all piping to and from the boiler are below the water line of the boiler. Boiler must also be protected by a low water cut off safety device.

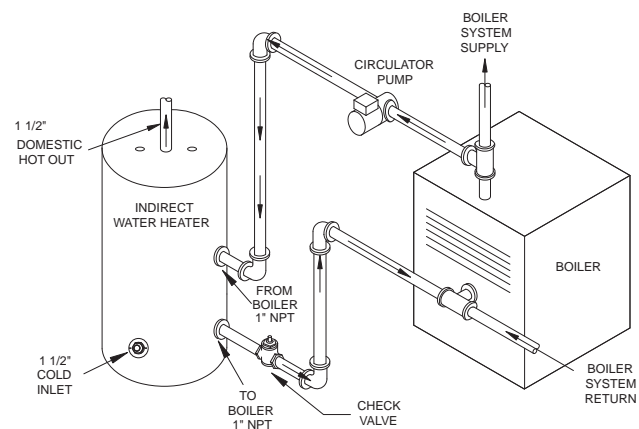


Figure 7: 80SK, 119SK water connections

SECTION IV: INSTALLATION (cont.)

See Figure 8 for piping your Bock indirect water heater to a low-mass boiler (diagram recommended by boiler manufacturer).

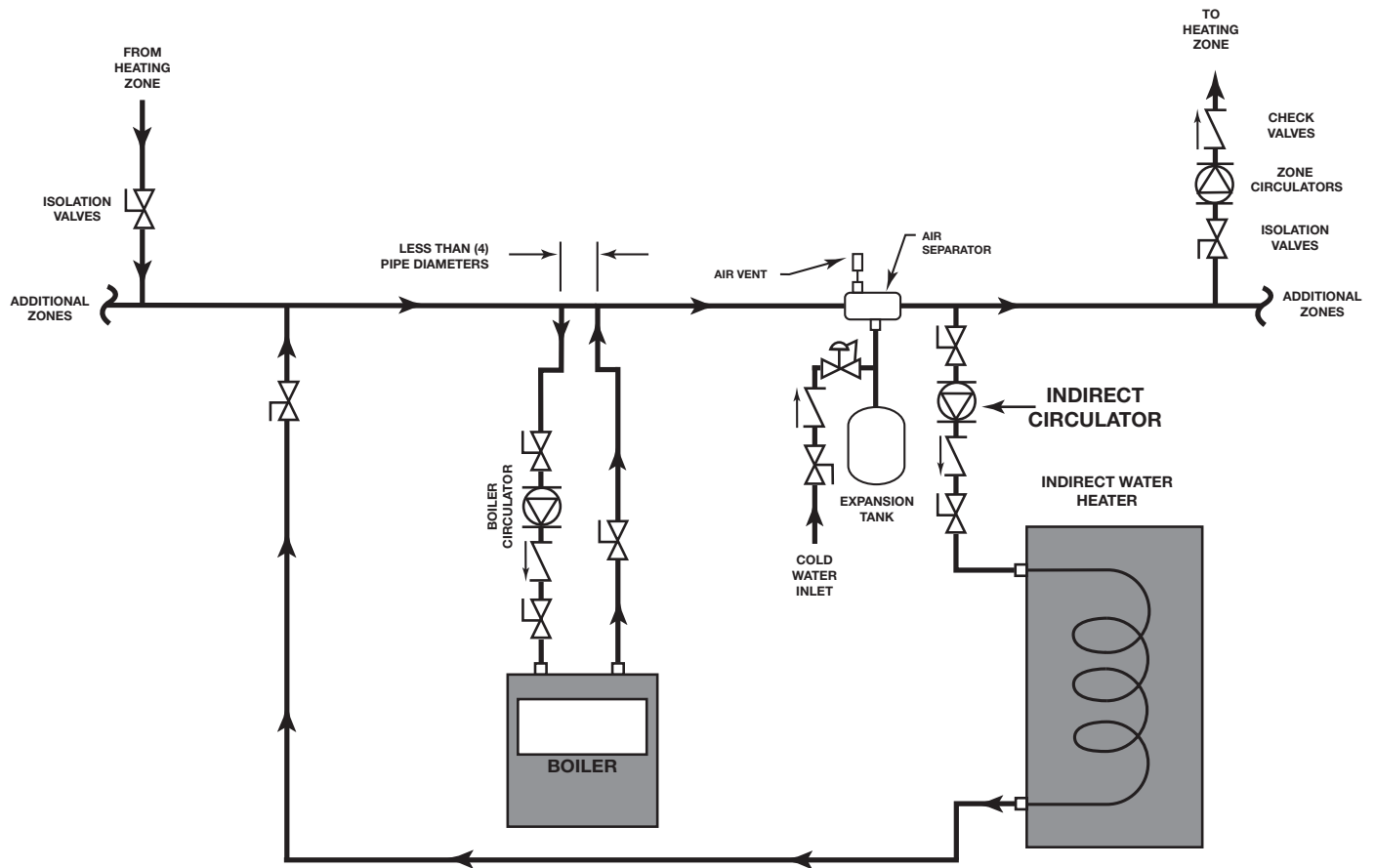


Figure 8: Bock Indirect with Low-Mass Boiler

SECTION IV: INSTALLATION (cont.)

ELECTRICAL CONNECTIONS

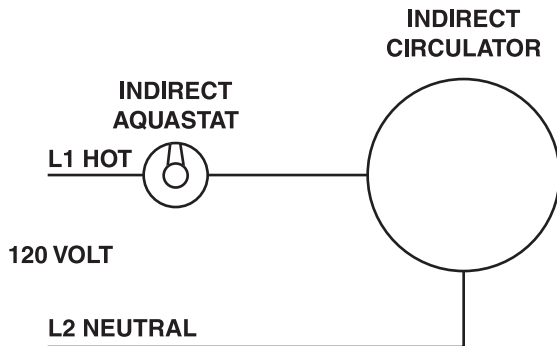


Figure 9: Boiler Maintaining 180°F

Figures 9 and 10 are general wiring diagrams. For a maintaining temperature boiler, Figure 9 should closely match your system. For cold start boilers your wiring may resemble Figure 10, but will vary depending on the boiler type and controls or relays used. It is not possible to list all wiring variations here. When connecting to a cold start boiler, always remember that in principle an indirect coil tank heater operates as another heating zone. The difference is when the indirect calls for heat, the indirect coil tank heater circulator must start rather than opening a zone valve; the system circulator stays off; and the boiler must light to reach high limit.

WIRING NOTES:

1. Dashed lines indicate low voltage (24 VAC)
2. Use jumper wire between terminals #1 and #3 on R845 relay

THERMOSTAT SPECIFICATIONS:

Thermostats can operate at low or line voltages.

24 volt	N/A
120 volt	8 amp
240 volt	5 amp

This equipment must be properly grounded to prevent a potential shock hazard, and to reduce deterioration of the anode due to electrolysis. Refer to local electrical codes and ordinances.

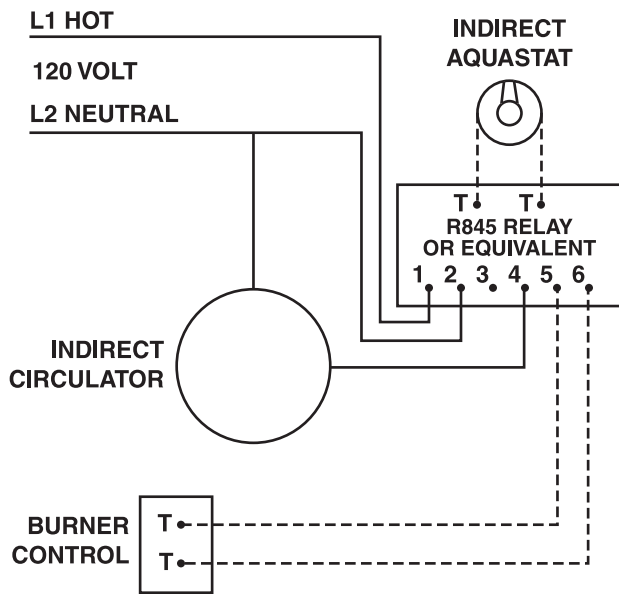


Figure 10: Cold Start Boiler

SECTION V: MAINTENANCE

WATER PIPING

On an annual basis, all piping should be checked for leakage at joints, shut-off valves, and unions.

T&P RELIEF VALVE

On an annual basis, the temperature and pressure relief valve should be checked for proper operation. First, attach a drain line to the valve to direct the water discharge to an open drain. This is very important because the temperature of the discharge could be very hot. Second, lift the lever at the end of the valve several times. The valve should operate freely and return to its original position properly. If water does not flow out of the valve, remove and inspect for corrosion or obstructions. Replace with a new valve if necessary. Do not repair the faulty valve as this may cause improper operation.

ANODE RODS

Anode rods should be inspected twice in the first year and at least yearly once a time interval for inspection has been developed. It is recommended to check the rod(s) six months after the heater is installed. If the anode rod had reduced in size by two-thirds of its original diameter of 3/4" or shows signs of pitting, it is time for replacement. Take the following steps when changing the anode rod(s):

1. Shut off water supply.
 2. Open any faucet to relieve tank pressure.
 3. Remove caps on water heater top; push insulation aside.
 4. Use a 1 1/16" six-sided socket wrench and a breaker bar. Snap hard to break the anode rod seal.
 5. Remove rod(s) and replace with new rod(s).
 6. Turn water supply back on and leave faucet open until air is out of line.
 7. Turn faucet off and check that new rod(s) doesn't leak.
 8. Snap caps back into place.
-

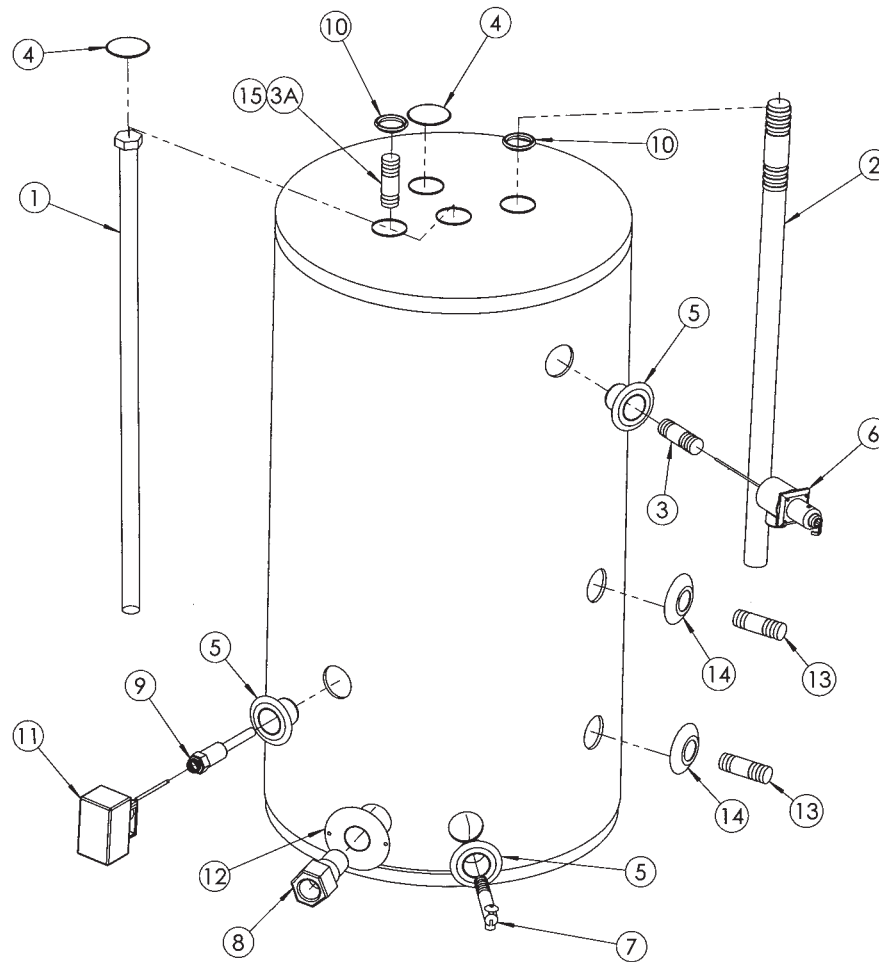
FLUSH THE TANK

The indirect water heater is glass lined. Elements in the water such as lime, iron and other minerals may accumulate in the heater. It is recommended that the tank be drained and flushed thoroughly once a year to prevent buildup in the tank.

SECTION VI: TROUBLESHOOTING

PROBLEM	CAUSE	SOLUTION
No hot water at faucet	Boiler does not operate	Refer to boiler installation instructions
		Check main service switch
		Check fused disconnect
	Circulator does not operate	Check power supply
		Replace as necessary Check aquastat setting
	Improper aquastat setting	Turn tank aquastat to safe temperature setting
Electrical problem (relay, wiring, etc.)	Check fuse and replace	
	Check circuit breaker and reset (if applicable) Check power supply	
Scale build-up	If boiler, circulator, and tank are operating satisfactorily, coil may have scale coating. See Section VI for tank flushing procedure.	
Water at faucet too hot	Aquastat set too high	Lower aquastat setting to safe level
	Tempering valve not properly set or defective	Check manufacturers instructions
Insufficient hot water	Aquastat set too low	Raise aquastat setting to safe level. See Section III
	Undersized boiler with no priority to domestic hot water	Rewire for priority
	Peak use of hot water is greater than tank storage capacity	Determine peak usage, compare to tank capacity, and add additional storage (storage tank) if necessary
	Faulty tank aquastat	Replace aquastat
Boiler cycles more than 5 times per day during hottest months	Excessive demand	Reduce demand or consider larger tank
	Faulty aquastat	Replace aquastat
	Boiler high limit set too low	Increase boiler high limit setting
Scale, hard white particles from faucets, popping sound from tank	Lime, water hardness above 7 grains-120ppm	Water treatment; softener; etc.
Rust staining; bad taste and odor in water	Iron/minerals in water supply	Filtration
Rotten egg odor	Hydrogen Sulfide	Flush tank with chlorine solution and install aluminum anode rod(s)
Air from hot water fixture	Electrolysis or air introduced by water supply	Properly ground heater & replace anode rod(s). Check well pump system.
Reduction in recovery	Dip tube broken or compromised by high chlorine in water	Replace dip tube
Inlet/Outlet fitting corrosion	Galvanic corrosion of dissimilar metals	Install dielectric unions
T&P Valve dripping water	Excessive water pressure (above 150 psi)	Check incoming water supply pressure; closed loop system (System Plus) requires expansion tank
T&P gushing water	Excessive water temp. (above 210 °F)	Adjust or replace aquastat and T&P valve

SECTION VII: PARTS LIST



INDIRECT COIL TANK WATER HEATERS				
30SK, 40SK, 50SK, 80SK, 119SK				
#	Item #	Qty	Description	Applicable Models
1	15005-30	1	Aluminum Anode Rods 3/4" x 30" (optional)	30SK, 40SK, 50SK
1	15005-36	2	Aluminum Anode Rods 3/4" x 36" (optional)	80SK, 119SK
1	15010	1	Magnesium Anode Rod 3/4" x 30"	30SK, 40SK, 50SK
1	15020	2	Magnesium Anode Rod 3/4" x 36"	80SK
1	15040	2	Magnesium Anode Rods 3/4" x 40"	119SK
1	15110	1	Link Rod 3/4" x 30" (optional)	30SK, 40SK, 50SK
1	15120	2	Link Rod 3/4" x 36" (optional)	80SK
1	15140	2	Link Rod 3/4" x 40" (optional)	119SK
2	15345	1	Dip Tube 3/4 x 3 x 33"	30SK
2	15320	1	Dip Tube 3/4 x 3 x 38"	40SK
2	15355	1	Dip Tube 3/4 x 3 x 44"	50SK
3	15370	1	Nipple 3/4 x 3", Hot Out or T&P	80SK, 119SK
3A	15335	1	Nipple, 1 1/2"	80SK, 119SK
4	17560	2	Cap, Magnesium Anode Rod	30SK, 40SK, 50SK, (3) 80SK, (3) 119SK
5	17535	3	Leak Detector Fitting	30SK, 40SK
5	17540	3	Leak Detector Fitting	50SK, 80SK, 119SK
6	21780	1	T&P Relief Valve 3/4" LL100XL	30SK, 40SK, 50SK
6	21790	1	T&P Relief Valve 140X-5 (use with 15370)	80SK, 119SK
7	15590	1	Drain Valve 3/4 x 2 1/4"	30SK, 40SK, 50SK, 80SK, 119SK
8	15315	1	Bottom Inlet, 1 1/2 x 3"	80SK, 119SK
9	21595	1	Well - PNW-3SE 1.5PL (use with 21575)	30SK, 40SK, 50SK, 80SK, 119SK
10	17570	2	Ring, Snap-in	30SK, 40SK, 50SK
11	21575	1	Aquastat L4080B-1352	30SK, 40SK, 50SK, 80SK, 119SK
12	17230	1	Steel Ring 5-3/8"	80SK, 119SK
13	15330	2	Nipple, 1" x 3", plastic lined	30SK, 40SK, 50SK, 80SK, 119SK
14	17520	2	Finish Ring, plastic	30SK, 40SK, 50SK, 80SK, 119SK
15	15015	1	Nipple 3/4 x 3", Hot Out with Anode	30SK, 40SK, 50SK

SECTION VIII: WARRANTY

LIMITED WARRANTY FOR INDIRECT WATER HEATER

Bock Water Heaters, Inc.

110 S. Dickinson Street

Madison, WI 53703

Phone: 608-257-2225

WHAT DOES THIS LIMITED WARRANTY COVER?

This limited warranty applies only to the original consumer purchaser

General Defects and Malfunctions: This warranty covers defections and malfunctions in your new water heater for a period of one year from the original installation date. We will repair or replace, at our option, any defective or malfunctioning component of the water heater. This limited warranty will terminate if you sell or otherwise transfer the water heater, or the water heater is installed at a location different from its original installation location.

For water heaters installed in single family dwellings and used exclusively for residential uses:

Tank and internal coil Heat Exchanger: We also warrant that the tank and internal coil heat exchanger will not leak due to defective materials or workmanship during the lifetime of the tank if the original owner submits the Limited Warranty Registration Card to manufacturer within 30-days of installation AND submits the original sales receipt as proof of original purchaser at time of warranty service. If the Limited Warranty Registration Card is NOT submitted to manufacturer within 30-days of installation AND/OR the original sales receipt is NOT provided when you contact us for warranty service, then the warranty period for the tank and internal coil heat exchanger will be limited to seven years from the date of manufacture. If the tank and internal coil heat exchanger is leaking and we have verified that the leak is due to a defect in materials and workmanship, we will replace the tank with a tank that is the nearest Bock model available at the time of replacement. This warranty applies only to the originally purchased tank, and does not apply to any replacement tank or subsequently installed tank.

For all water heaters NOT installed in single family dwellings and used exclusively for commercial uses:

Tank and internal coil Heat Exchanger: We also warrant that the tank and internal coil heat exchanger will not leak due to defective materials or workmanship for three years from the date of original installation or from date of manufacture in the event the Limited Warranty Registration Card was not completed and returned to manufacturer. If the tank and heat exchanger is leaking and we have verified that the leak is due to a defect in materials and section as if it were the original tank. For example, if we send you a replacement tank under this the time of replacement. If a replacement tank is provided, it will remain warranted under this workmanship, we will replace the tank with a tank that is the nearest Bock model available at limited warranty two years after the original installation date, then the replacement tank will remain warranted for the remaining one year after the original installation date.

HOW DO YOU GET SERVICE UNDER THE LIMITED WARRANTY?

In order for the warranty period to begin on the date of installation, you must return the warranty registration card attached below within 30 days of purchasing the water heater. You may also register your water heater online at www.bockwaterheaters.com. You must have a copy of the original sales receipt at the time you request service. Failure to return the warranty registration card and provide a copy of the sales receipt will result in the warranty period beginning from the date of manufacture.

To get service under this limited warranty you should contact either the dealer or installer. If dealer or installer

SECTION VIII: WARRANTY

HOW DO YOU GET SERVICE UNDER THE LIMITED WARRANTY?

In order for the warranty period to begin on the date of installation, you must return the warranty registration card attached below within 30 days of purchasing the water heater. You may also register your water heater online at www.bockwaterheaters.com. You must have a copy of the original sales receipt at the time you request service. Failure to return the warranty registration card and provide a copy of the sales receipt will result in the warranty period beginning from the date of manufacture.

To get service under this limited warranty you should contact either the dealer or installer. If dealer or installer is unknown you can contact us via e-mail at warranty@bockwaterheaters.com or call us Monday through Friday between the hours of 8 o'clock a.m. to 5 o'clock p.m. Central Time at the following number: 1-608-257-2225.

You can also write us at the following address:

Bock Water Heaters, Inc.
Warranty Support Group
110 S. Dickinson Street
Madison, WI 53703

We will respond not later than ten days after we have received your request for service.

SECTION VIII: WARRANTY (cont)

WHAT DOES THIS LIMITED WARRANTY NOT COVER?

This limited warranty does not cover water heaters that are or were:

- Incorrectly installed, especially where the installation violates state or local plumbing, housing or building codes.
- Operated at inappropriate settings, excessive pressures or temperatures.
- Exposed to adverse local conditions and specifically sediment or lime precipitation in the tank or corrosive elements in the atmosphere or unacceptable water quality.
- Installed outside the United States or Canada.
- Accidentally damaged.

Also, we will not cover the following charges, costs and losses:

- Any freight or delivery charges.
 - Any removal or installation charges.
 - Charges to return the water heater or part to the manufacturer.
 - Water damage, loss or damage to property, inconvenience or loss of use.
-

WHAT WILL VOID THE LIMITED WARRANTY?

If you do any of the following, you will void this limited warranty:

- Fail to retain an original copy of your sales receipt.
- Fail to retain the actual rating plate from the water heater.
- Alter or remove the serial number.
- Transfer or sell the water heater.
- Remove the water heater from its original location and install it somewhere else.
- Fail to follow the care and maintenance instructions provided with the water heater.
- Remove the anode rods.
- Fail to inspect and replace the anode rods (you must retain and present your paid receipts as proof of anode rod replacement).

HOW DOES STATE LAW RELATE TO THIS LIMITED WARRANTY?

This is a limited warranty. WE MAKE NO OTHER EXPRESS WARRANTIES WITH RESPECT TO THIS WATER HEATER. We will not assume, nor authorize any person to assume for us any other liability in connection with the sale or operation of this water heater. ANY IMPLIED WARRANTIES, INCLUDING MECHANICALITY OR FITNESS FOR A PARTICULAR APPLICATION, IMPOSED ON THIS SALE UNDER THE LAWS OF THE STATE OF SALE ARE LIMITED TO ONE YEAR. This warranty gives you specific legal rights, and you may also have other rights which vary from state to state. Some states do not allow limitations on how long an implied warranty lasts, so the above limitation may not apply to you.

WE WILL NOT BE RESPONSIBLE FOR WATER DAMAGE, LOSS OF USE OF THE UNIT, INCONVENIENCE, LOSS OR DAMAGE TO PERSONAL PROPERTY, WHETHER DIRECT OR INDIRECT, AND WHETHER ARISING IN CONTACT OR TORT. Some states do not allow the exclusion of incidental or consequential damages, so the above exclusion may not apply to you.

Bock Water Heaters, Inc. • 110 South Dickinson Street • Madison, WI 53703
Telephone 608-257-2225 • Fax 608-257-5304
www.bockwaterheaters.com

QU'EST-CE QUI ANNULERA LA PRÉSENTE GARANTIE?

L'une ou l'autre des situations suivantes annulera la présente garantie limitée :

- a. L'omission de nous renvoyer la fiche d'inscription dans les 30 jours restant la garantie limitée du réchauffeur et de l'échangeur de chaleur à partir de la date de fabrication lorsque le chauffe-eau est installé dans une habitation unifamiliale et est destiné à un usage domestique.
- b. L'omission de conserver une copie originale du coupon de caisse restreint la garantie limitée du réchauffeur et de l'échangeur de chaleur à sept ans à partir de la date de fabrication lorsque le chauffe-eau est installé dans une habitation unifamiliale et est destiné à un usage domestique.
- c. L'omission de conserver la plaque signalétique du chauffe-eau.
- d. L'altération ou l'effacement du numéro de série.
- e. Le transfert ou la vente du chauffe-eau.
- f. Le transfert du chauffe-eau de son emplacement d'origine à un emplacement différent.
- g. Le fait de ne pas se conformer aux consignes d'entretien et de maintenance fournies avec le chauffe-eau.
- h. Le retrait des tiges d'anode.
- i. L'omission d'inspecter et de remplacer les tiges d'anode (vous devez conserver et présenter vos coupons de caisse à titre de preuve du remplacement des tiges d'anode).

COMMENT LES LOIS PROVINCIALES SE RATTACHENT-ELLES À LA PRÉSENTE GARANTIE LIMITÉE?

Les présentes constituent une garantie limitée. NOUS N'ÉMETTONS AUCUNE AUTRE GARANTIE EXPRESSE EN RAPPORT AVEC CE CHAUFFE-EAU À CHAUFFAGE INDIRECT. Nous n'assumerons ni n'autoriserons qui que ce soit à assumer, en notre nom, quelle qu'autre responsabilité que ce soit en lien avec la vente ou l'utilisation de ce chauffe-eau à chauffage indirect. TOUTE GARANTIE TACITE, Y COMPRIS DE QUALITÉ MARCHANDE OU D'ADAPTATION À UN USAGE PARTICULIER, IMPOSEE À CETTE VENTE PAR LES LOIS EN VIGUEUR DANS LA PROVINCE (L'ÉTAT) OÙ SE EST CONCLUE LA VENTE EST LIMITÉE À UN AN. La présente garantie vous confère des droits juridiques particuliers, et vous pourriez aussi avoir d'autres droits qui varient d'une province à l'autre. Certains États ne permettent pas l'imposition de limites à la durée d'une garantie tacite; par conséquent la limite précédente peut ne pas s'appliquer à vous.

NOUS NE SOMMES PAS RESPONSABLES DES DOMMAGES DUS À L'EAU, DES PERTES D'USAGE DE L'APPAREIL, DES INCONVÉNIENTS, DES PERTES OU DES DOMMAGES MATÉRIELS, QU'ILS SOIENT DIRECTS OU INDIRECTS, ET QU'ILS SOIENT DUS À UN CONTACT OU UN DÉLIT. Certains états ne permettent pas l'exclusion accessoires ou consécutifs; par conséquent, la limite précédente peut ne pas s'appliquer à vous.

- La présente garantie limitée ne rembourse pas les chauffe-eau qui sont ou ont été :
- a. installés incorrectement, particulièrement lorsque l'installation entraîne les codes locaux de la plomberie, de l'habitation ou du bâtiment;
 - b. utilisés dans des milieux inappropriés, à des pressions ou des températures excessives;
 - c. exposés à des conditions de milieu malsaines, particulièrement à la sédimentation ou à l'entartrage du réservoir, aux éléments corrosifs dans l'atmosphère ou à une eau de qualité inacceptable;
 - d. installés à l'extérieur des États-Unis ou du Canada;
 - e. endommagés par accident.
- En outre, nous ne rembourserons pas les frais, coûts et pertes suivants :
- a. Tout frais de fret ou de livraison.
 - b. Tout frais de démontage ou d'installation.
 - c. Les frais de retour du chauffe-eau ou de l'une ou plusieurs de ses pièces au fabricant.
 - d. Les dommages dus à l'eau, les pertes ou les dommages matériels, les inconvénients ou les pertes liées à l'usage de l'appareil.

QU'EST-CE QUI N'EST PAS REMBOURSE EN VERTU DE LA GARANTIE LIMITEE POUR LE CHAUFFE-EAU À CHAUFFAGE INDIRECT?

Nous vous répondrons au plus tard dix jours après réception de votre demande de service.

Bock Water Heaters, Inc.
Warranty Support Group
110 S. Dickinson Street
Madison, WI 53703

Vous pouvez aussi nous écrire à l'adresse qui apparaît ci-dessous :

Pour être admissible au service en vertu de la garantie à vie limitée du réservoir et de l'échangeur de chaleur, vous DEVEZ nous renvoyer la fiche d'inscription ci-bas incluse dans les 30 jours suivant l'achat du chauffe-eau à chauffage indirect OU inscrire votre chauffe-eau en ligne à l'adresse www.bockwaterheaters.com.

Vous devez détenir copie du reçu de vente original lorsque vous faites une demande pour un technicien.

Pour obtenir les services d'un technicien en vertu des présentes, vous devriez appeler le détaillant ou l'installateur. Si vous ne connaissez aucun détaillant ou installateur, envoyez-nous un courriel ou téléphonez-nous du lundi au vendredi de 8 h à 17 h (heure normale du Centre) au numéro suivant : 1-608-257-2225.

COMMENT OBTENIR DU SERVICE EN VERTU DE LA GARANTIE À VIE LIMITEE DU CHAUFFE-EAU À CHAUFFAGE INDIRECT?

GARANTIE LIMITEE POUR LE CHAUFFE-EAU À CHAUFFAGE INDIRECT

Bock Water Heaters, Inc.
110 S. Dickinson Street
Madison, WI 53703
Téléphone : 608-257-2225

QU'EST-CE QUI EST REMBOURSE DANS LE CADRE DE LA PRÉSENTE GARANTIE?

La présente garantie limitée ne s'applique qu'au premier acheteur de consommation.

Dans le cas des chauffe-eau installés dans une habitation unifamiliale, pour un usage domestique :

Défauts d'ordre général et détaillés : La présente garantie protège votre nouveau chauffe-eau à chauffage indirect des défauts et des défaillances pour une période d'un an à partir de la date de l'installation initiale. Nous réparerons ou remplacerons, à notre discrétion, tout composant défectueux ou détaillant du chauffe-eau indirect. La présente garantie sera annulée si vous vendez ou transférez de quelle façon ce chauffe-eau, ou si le chauffe-eau est installé à un emplacement différent que son emplacement d'installation initial.

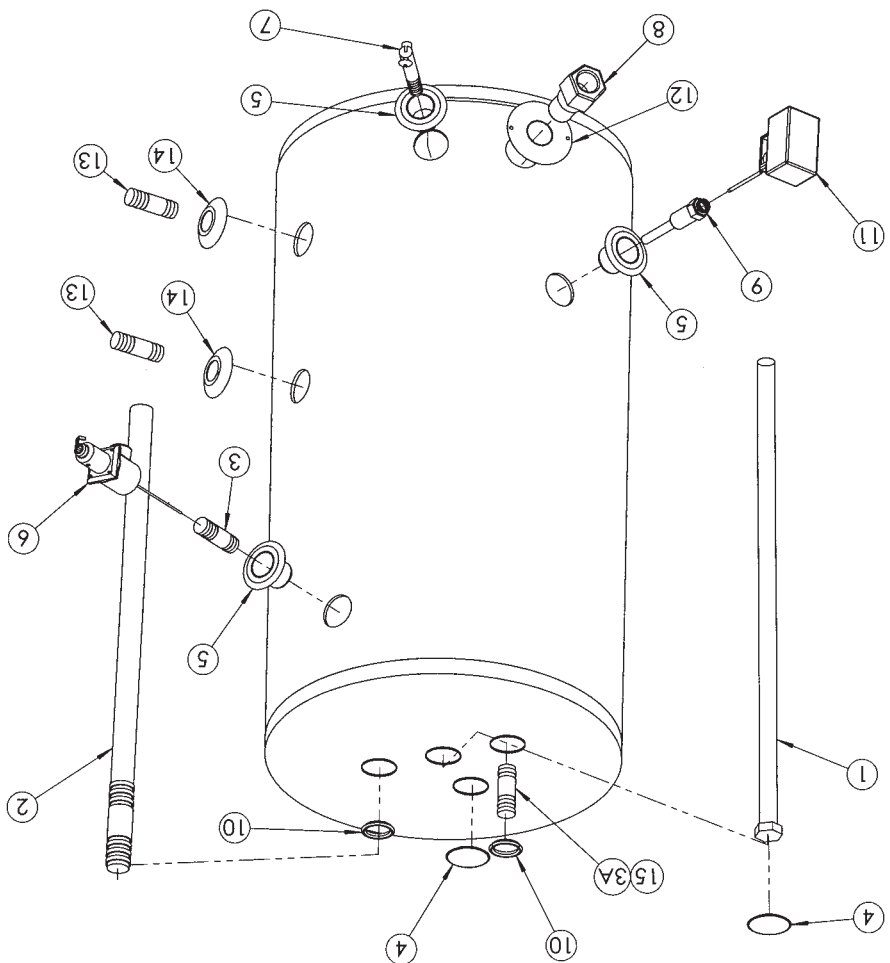
Réservoir et échangeur thermique : Nous garantissons également le réservoir et l'échangeur thermique contre les fuites dues aux défauts dans les matériaux ou la main-d'œuvre pendant toute la durée de vie utile du réservoir. Si le premier propriétaire renvoie la fiche d'inscription à la garantie limitée au fabricant dans les 30 jours suivant l'installation ET s'il présente le coupon de caisse original à titre de preuve qu'il est le premier acheteur au moment d'obtenir du service sous la garantie. Si la fiche d'inscription à la garantie limitée n'est pas renvoyée au fabricant dans les 30 jours suivant l'installation et que le coupon de caisse original n'est pas présenté lorsque vous communiquez avec nous en vue d'obtenir du service sous la garantie, la période de garantie du réservoir ou de l'échangeur de chaleur se limitera à sept ans à partir de la date de fabrication. Si le réservoir et l'échangeur thermique présentent des fuites et qu'il a été vérifié et convenu que la fuite est due à un défaut dans les matériaux ou la main-d'œuvre, nous remplacerons le réservoir par le modèle réservoir Bock le plus similaire au moment du remplacement. La présente garantie ne s'applique qu'au réservoir d'origine, et non à quel que réservoir de remplacement ou installé ultérieurement que ce soit.

Pour tous les autres chauffe-eau, par exemple ceux destinés à un usage commercial :

Défauts d'ordre général et détaillés : La présente garantie protège votre nouveau chauffe-eau à chauffage indirect des défauts et des défaillances pour une période d'un an à partir de la date de l'installation initiale. Nous réparerons ou remplacerons, à notre discrétion, tout composant défectueux ou détaillant du chauffe-eau indirect. La présente garantie est d'une durée d'un an. La garantie prend fin si vous vendez ou transférez de quelle façon que ce soit le chauffe-eau à chauffage indirect, ou si le chauffe-eau indirect est installé dans un emplacement différent.

Réservoir et échangeur thermique : Nous garantissons aussi le réservoir et l'échangeur thermique contre les fuites dues à défauts dans les matériaux ou la main-d'œuvre, et ce, pour une période de trois ans à partir de la date de l'installation initiale, ou de la date de fabrication dans l'éventualité où la fiche d'enregistrement du produit n'a pas été remplie et ne nous a pas été renvoyée. Si le réservoir et l'échangeur thermique furent et que nous avons vérifié et convenu que les fuites sont dues à un défaut dans les matériaux ou la main-d'œuvre, nous remplacerons le réservoir par le modèle de réservoir Bock le plus similaire au moment du remplacement. Si un réservoir de remplacement vous est fourni, il restera garanti en vertu des présentes comme s'il s'agissait du réservoir d'origine. Par exemple, si nous vous faisons parvenir un réservoir de remplacement en vertu de la présente garantie limitée deux ans après la date d'installation initiale, le réservoir de remplacement restera protégé en vertu de la garantie pour l'année restante après la date d'installation initiale.

#	Article n°	Qté	Description	Modeles applicables
1	15005-30	1	Tiges d'anode en aluminium de 3/4" x 30 po (en option)	30SK, 40SK, 50SK
1	15005-36	2	Tiges d'anode en aluminium de 3/4" x 36" (en option)	80SK, 119SK
1	15010	1	Tiges d'anode en magnésium de 3/4" x 30 po	30SK, 40SK, 50SK
1	15020	2	Tiges d'anode en magnésium de 3/4" x 36 po	80SK
1	15040	2	Tiges d'anode en magnésium de 3/4" po x 40 po	119SK
1	15110	1	Barre de liaison de 3/4" po x 30 po (en option)	30SK, 40SK, 50SK
1	15120	2	Barre de liaison de 3/4" po x 36 (en option)	80SK
1	15140	2	Barre de liaison de 3/4" po x 40 po (en option)	119SK
2	15345	1	Tube d'arrivée profond de 3/4" x 33 po	30SK
2	15320	1	Tube d'arrivée profond 3/4" x 3 x 38 po	40SK
2	15355	1	Tube d'arrivée profond 3/4" x 3 x 44 po	50SK
3	15370	1	Manchon 3/4" x 3 po, pour entrée eau chaude ou soupape de surpression	80SK, 119SK
3A	15335	1	Manchon, 1 1/2 po	80SK, 119SK
4	17560	2	Capuchon, Tige d'anode en magnésium	30SK, 40SK, 50SK, (3) 80SK, (3) 119SK
5	17535	3	Raccord pour détecteur de fuites	30SK, 40SK
5	17540	3	Raccord pour détecteur de fuites	50SK, 80SK, 119SK
6	21780	1	Soupape de surpression et de sécurité thermique 3/4 po LL100XL	30SK, 40SK, 50SK
6	21790	1	Soupape de surpression et de sécurité thermique 140X-5 (s'utilise avec l'article n° 15370)	80SK, 119SK
7	15590	1	Soupape de vidange, 3/4" x 2 1/2 po	30SK, 40SK, 50SK, 80SK, 119SK
8	15315	1	Entrée intérieure, 1 1/2 x 3 po	80SK, 119SK
9	21595	1	Puits - PNW-3SE 1,5PL (s'utilise avec l'article n° 21575)	30SK, 40SK, 50SK, 80SK, 119SK
10	17570	2	Anneau, encliquetable	30SK, 40SK, 50SK
11	21575	1	Aquastat L4080B-1352	30SK, 40SK, 50SK, 80SK, 119SK
12	17230	1	Anneau d'acier 5-3/8 po	80SK, 119SK
13	15330	2	Manchon, 1 po x 3 po, à revêtement intérieur en plastique	30SK, 40SK, 50SK, 80SK, 119SK
14	17520	2	Anneau de finissage, plastique	30SK, 40SK, 50SK, 80SK, 119SK
15	15015	1	Manchon 3/4" x 3 po, sortie d'eau chaude avec anode	30SK, 40SK, 50SK



PARTIE VII : LISTE DES PIÈCES

PROBLÈME	CAUSE	SOLUTION
Pas d'eau chaude au robinet	Le chauffe-eau ne fonctionne pas.	Consultez les directives d'installation du chauffe-eau.
	Vérifiez au niveau du disjoncteur de branchement principal.	
	Vérifiez si des fusibles sont débranchés.	
	Vérifiez si il est alimenté en électricité.	
	Vérifiez si il est alimenté en électricité. (s'il y a lieu).	
	Vérifiez le disjoncteur et réenclenchez-le au besoin.	
	Examinez les fusibles: remplacez, (relai, câble, etc.)	
	Problème électrique	
	Accumulation de tartre	Si la chaudière, le circulateur et le réservoir fonctionnent de façon insatisfaisante, le serpentin peut être recouvert de tartre. Consultez la partie VI pour connaître la procédure de vidange.
L'eau du robinet est trop chaude.	L'aquastat est réglé trop haut.	Abaissez l'aquastat à un niveau sécuritaire.
	La valve de tempérage est mal réglée ou défectueuse	Vérifiez les consignes du fabricant.
Production d'eau chaude insuffisante	L'aquastat est réglé trop bas.	Élevez l'aquastat à un niveau sécuritaire. Consultez la partie III.
	Chaudière sous-dimensionnée ne produisant pas l'eau chaude domestique.	
	La pointe d'utilisation en eau chaude dépasse la capacité du réservoir.	Déterminez le volume d'eau utilisé en période de pointe, comparez-le à la capacité du réservoir, et ajoutez de la capacité de stockage (réservoir de stockage), au besoin.
	Aquastat de réservoir défectueux	Remplacez l'aquastat.
La chaudière effectue plus de cinq cycles par jour lors des mois les plus chauds.	Demande excessive	Réduisez la demande ou envisagez un plus grand réservoir.
	Aquastat défectueux	Remplacez l'aquastat.
	La limite supérieure de la chaudière est trop basse.	Augmentez le réglage de limite supérieure de la chaudière.
	Calcaire, dureté de l'eau supérieure à 7 particules - 120 ppm	Traiter l'eau: adoucisseur, etc.
	Présence de fer/métaux dans l'alimentation en eau	Filtration
Eau teintée de rouille: goût et odeur désagréables.		
Odeur d'œufs pourris	Sulfure d'hydrogène	Vidangez le réservoir en utilisant une solution chlorée et installez des tiges d'anode en aluminium.
De l'air s'échappe de l'appareil d'eau chaude	Électrolyse ou air introduit par l'alimentation en eau.	Mettez correctement le chauffe-eau à la masse et remplacez la (les) tige(s) d'anode. Vérifiez le système de pompe de puits.
Réduction de la remontée	Le tube d'arrivée profond est brisé ou un taux de chlore élevé dans l'eau nuit à son fonctionnement.	Remplacez le tube d'arrivée profond.
Corrosion au niveau du raccord d'entrée/de sortie	Corrosion galvanique due au contact entre deux métaux de nature différente.	Posez des raccords unions diélectriques.
De l'eau dégoûtée de la soupape de décharge et de sécurité thermique.	Pression de l'eau excessive (au-delà de 150 psi).	Vérifiez la pression de la source d'alimentation en eau; les systèmes à boucle fermée (System Plus) nécessitent un réservoir à dilatation thermique.
De l'eau giclé de la soupape de décharge et de sécurité thermique.	Temp. de l'eau excessive (supérieure à 98,88 °C, c.-à-d. 210 °F).	Ajustez ou remplacez l'aquastat et la soupape de décharge et de sécurité thermique.

Chaque année, toutes les conduites devraient être inspectées pour y déceler toute fuite aux joints, aux soupapes d'arrêt et aux raccords union.

SOUAPE DE DÉCHARGE ET DE SÉCURITÉ THERMIQUE

Chaque année, la soupape de décharge doit être examinée pour s'assurer de son bon fonctionnement. Tout d'abord, fixez une canalisation de vidange à la soupape pour acheminer l'eau vidangée vers une ouverture de drainage. Ceci est très important, puisque l'eau vidangée peut être très chaude. Ensuite, relevez le levier à l'extrémité de la soupape à plusieurs reprises. La soupape devrait se manier sans contrainte et revenir correctement à sa position initiale. Si l'eau ne s'écoule pas de la soupape, retirez-la et vérifiez si elle présente de la rouille ou des obstructions. Remplacez-la par une nouvelle soupape au besoin. Ne réparez pas la soupape défectueuse; cela pourrait nuire au fonctionnement.

TIGES D'ANODE

Les tiges d'anode devraient être inspectées deux fois la première année et au moins une fois chaque année une fois l'intervalle d'inspection déterminé. Il est recommandé de vérifier la (les) tige(s) six mois après l'installation du chauffe-eau. Si la taille de la tige d'anode est réduite de plus du deux tiers de son diamètre original de 1,9 cm (3/4 po) ou si elle présente des signes d'usure, il est temps de la remplacer. Suivez les étapes suivantes pour remplacer les tiges d'anode :

1. Coupez l'alimentation en eau.
2. Ouvrez un robinet (n'importe quel) pour décharger la pression du réservoir.
3. Ôtez les capuchons du dessus du chauffe-eau; mettez l'isolant de côté.
4. Utilisez une clé à douille hexagonale de 1 1/16 po et une poignée articulée. Forcez d'un coup sec pour briser le joint d'étanchéité de la tige d'anode.
5. Retirez la (les) tige(s) et remplacez-la (les) par une ou des nouvelles.
6. Rétablissez l'alimentation en eau et laissez un robinet ouvert jusqu'à ce que tout l'air soit évacué de la conduite.
7. Refermez le robinet et assurez-vous que la nouvelle tige ne fuit pas.
8. Remettez les capuchons en place en les encliquetant.

VIDANGE DU RÉSERVOIR

Le chauffe-eau indirect est muni d'un revêtement interne en verre. Les éléments en suspension dans l'eau comme le calcaire et le fer peuvent s'accumuler dans le chauffe-eau. Il est recommandé de vidanger le réservoir et de le vider complètement une fois par année pour prévenir toute accumulation.

Les figures 9 et 10 sont des schémas de câblage

général. Pour obtenir une chaudière qui maintient une température constante, votre système devrait ressembler de près à la figure 9. Dans le cas des chaudières à démarrage à froid, votre câblage peut ressembler à celui de la figure 10, mais variera selon le type de chaudière et les contrôles ou les relais employés. Il est impossible d'énumérer toutes les variations de câblage. Lorsque vous raccordez le chauffe-eau à une chaudière à démarrage à froid, n'oubliez jamais qu'en principe, un chauffe-eau indirect à réservoir à serpentin fonctionne comme zone de chauffage distincte. La différence, c'est que lorsque le système indirect appelle la chaudière, le circulateur du chauffe-eau indirect à serpentin doit démarrer, plutôt que d'ouvrir une vanne de régulation par zone; le circulateur du système reste fermé; et la chaudière doit s'allumer pour atteindre la limite supérieure.

REMARQUES SUR LE CÂBLAGE

1. Les lignes tirées indiquent une basse tension (24 V c.a.).
2. Utilisez un fil de liaison entre les terminaux 1 et 3 sur le relai R845.

SPÉCIFICATIONS DU THERMOSTAT

Les thermostats peuvent fonctionner à basse tension ou à tension composée.

24 volt	S.O.
120 volt	8 amp
240 volt	5 amp

Cet équipement doit être correctement mis à la masse pour prévenir tout risque d'électrocution et la détérioration de l'anode en raison de l'électrolyse. Rapportez-vous aux codes et ordonnances locaux sur l'électricité.

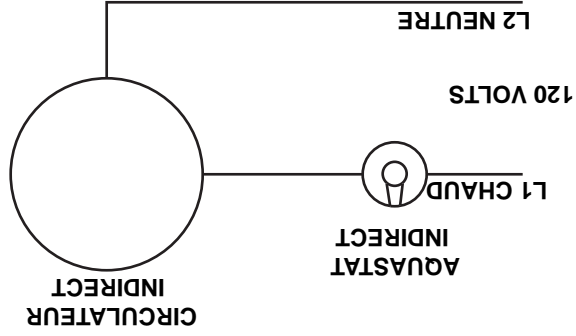


Figure 9: Boilier Maintaining 180°F

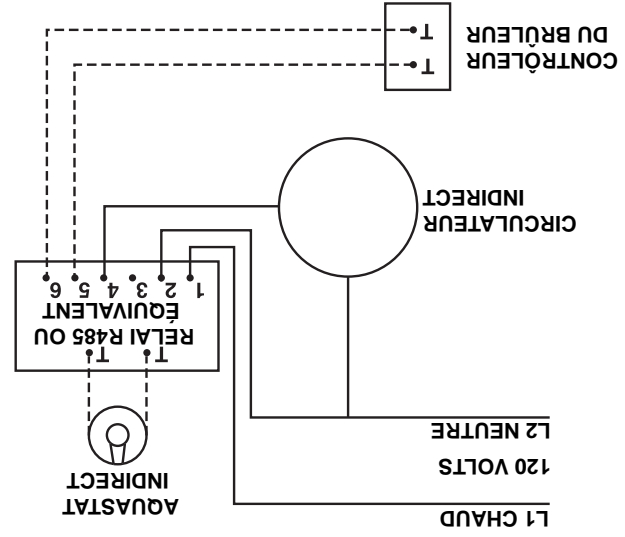
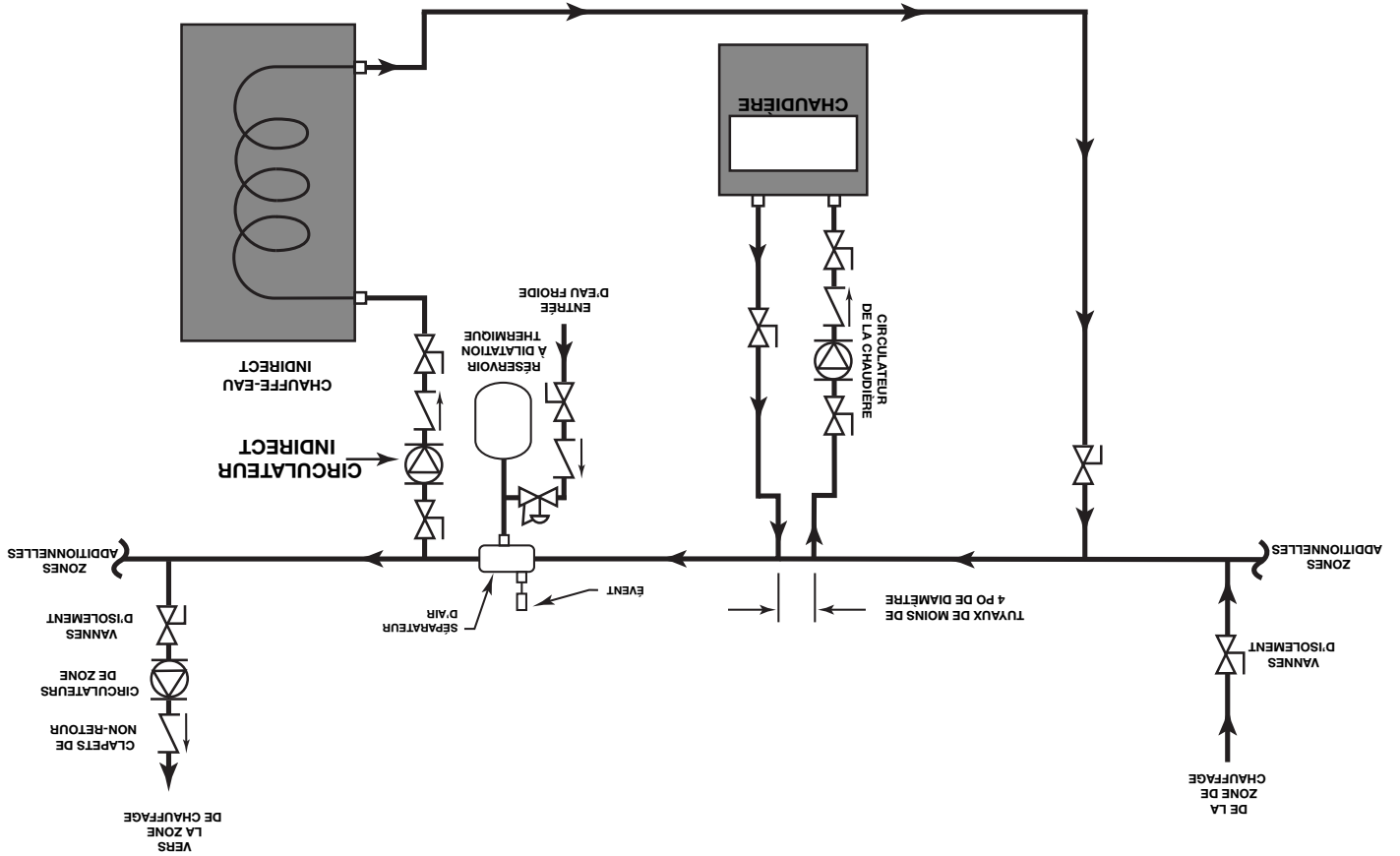


Figure 10 : Chaudière à démarrage à froid

Figure 8 : Chauffe-eau indirect Bock raccordé à une chaudière à faible masse



Consultez la figure 8 pour le tuyautage de votre chauffe-eau indirect Bock à une chaudière à faible masse (schéma recommandé par le fabricant de la chaudière).

RACCORDEMENTS D'EAU

Toute la tuyauterie comprise entre la chaudière et le chauffe-eau indirect devrait être en cuivre neut et d'un diamètre intérieur minimal de 3/4 po pour les modèles 30SK, 40SK, et 50SK. Utilisez des tuyaux de cuivre d'au moins 1 po pour les modèles 80SK et 119SK. Utilisez le moins de coudes possible. Une valve régulatrice de débit doit être installée sur la conduite de reprise.

Tous les tuyaux d'entrée (eau froide) et de sortie (eau chaude) utilisés pour les raccordements au système d'eau potable domestique devraient être en cuivre neut et d'un diamètre intérieur minimal de 1/2 po pour les modèles 30SK, 40SK, et 50SK. Utilisez des tuyaux de cuivre d'au moins 3/4 po de diamètre intérieur dans le cas des modèles 80SK et 119SK.

Tous les tuyaux doivent être conformes aux codes et aux ordonnances locaux. À tout le moins, raportez-vous au code IHLR 84 en l'absence de codes locaux. Toute la tuyauterie devrait être adéquatement isolée au moyen d'un matériau approuvé afin de minimiser les pertes de chaleur. Si une conduite de recirculation est utilisée sur le système d'eau domestique, assurez-vous que toutes les conduites sont bien isolées et que la température du circulateur est contrôlée. Installez des vanes d'isolement pour permettre un entretien approprié. L'installation d'un raccord union sur la sortie domestique afin de faciliter le remplacement des manchons de sortie d'eau chaude et des tige d'anode sur les modèles 30SK, 40SK, et 50SK est également recommandée.

Consultez les figures 6 et 7 pour en savoir plus sur les raccordements d'eau appropriés lors de l'installation.

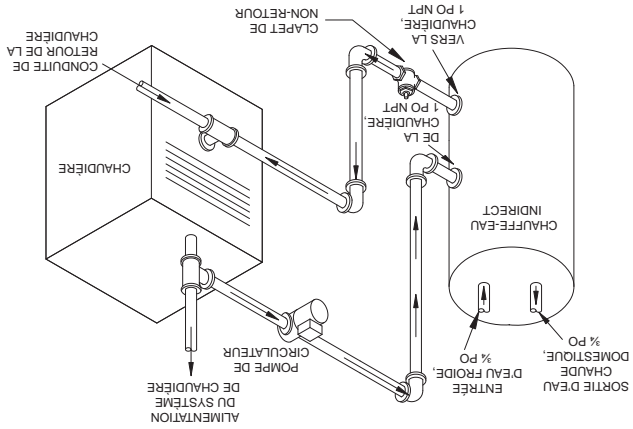


Figure 6 : Raccordements d'eau des modèles 30SK, 40SK, 50SK

Remarque : Un chauffe-eau indirect peut être raccordé à une chaudière à vapeur pourvu que toute la tuyauterie vers la chaudière et provenant de celle-ci soit installée sous la conduite d'eau de la chaudière. La chaudière doit également être protégée par un dispositif coupe-circuit en cas de manque d'eau.

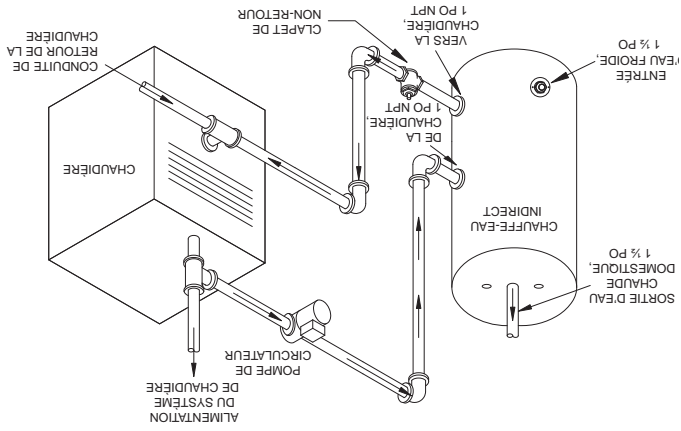


Figure 7 : Raccordements d'eau des modèles 80SK, 119SK

$$\text{Nouvelle cote de première heure} = (205 \text{ gal}) * (60\,000 \text{ Btu/h}) / (94\,000 \text{ Btu/h}) = 131 \text{ gal.}$$

Par exemple, la cote de première heure du 50SK pour élever la température de 25 °C (77 °F) à un débit de source de chaleur de 14 gallons par minute au moyen d'une chaudière présentant une puissance calorifique DOE de 60 000 Btu/h serait de :

$$\text{Nouvelle cote de première heure} = (\text{cote de première heure}) * (\text{puissance réelle de la chaudière}) / (\text{puissance minimale du serpentin})$$

La performance du système peut aussi varier selon la puissance calorifique de la chaudière. Si la puissance calorifique minimale du serpentin (en présument que la puissance du serpentin est égale à la puissance de la chaudière) inscrite aux tableaux 2 et 3 n'est pas atteinte, la puissance (cote de première heure) du chauffe-eau ne sera pas atteinte au débit sélectionné. Afin de calculer la réduction approximative de la cote de première heure associée à une chaudière de faible capacité, utilisez la formule suivante :

Remarque : L'installation de vanes de régulation par zone sur la source de chaleur du chauffe-eau indirect n'est pas recommandée et diminuera radicalement la performance.

Figure 5 : Courbe de performance du GRUNDFOS UP 26-64F

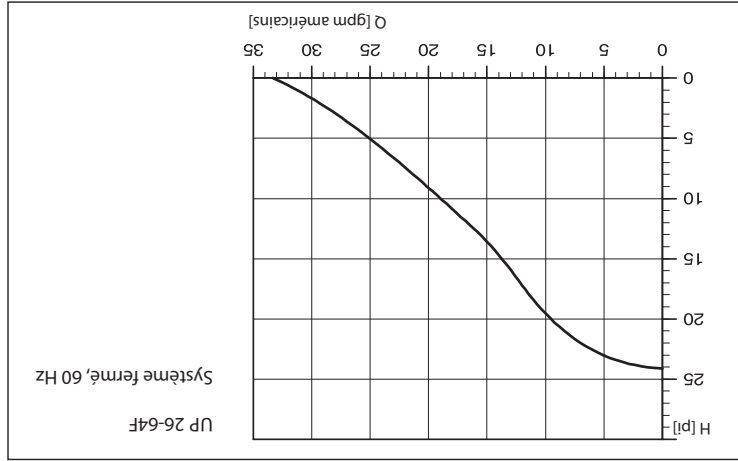
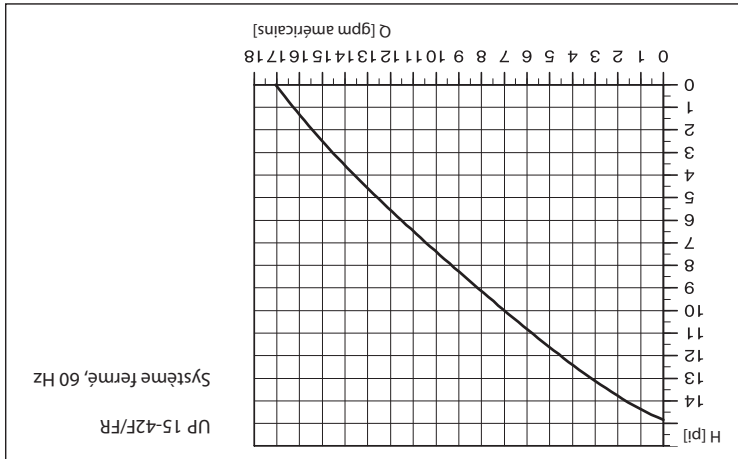


Figure 4 : Courbe de performance du GRUNDFOS UP 15-42F



ETABLISSEMENT DES CARACTÉRISTIQUES DE LA CHAUDIÈRE ET DU CIRCULEUR

Les cotes de chauffe-eau Bock publiées aux présentes peuvent être obtenues en choisissant la puissance de chaudière et la capacité de circulateur de façon judicieuse. Comme il a été mentionné précédemment, les cotes du tableau 2 sont basées sur l'élévation de 25 °C (77 °F) de la température d'une entrée d'eau à 14,44 °C (58 °F) à un débit du circulateur de 14 gallons par minute. La température de la chaudière était réglée à 82,22 °C (180 °F). Consultez le tableau 3 pour d'autres cotes de première heure, calculées à des débits à la pompe de 8, 10, 12 et 14 gallons par minute et à des températures de chaudière de 82,22 °C (180 °F) et 93,33 °C (200 °F).

Pour déterminer le circulateur approprié à votre système, suivez les trois étapes suivantes :

- 1) Calculez la perte de charge dans tous les tuyaux droits et raccords d'alimentation et de reprise au débit voulu.

- 2) Additionnez la perte de charge de l'étape 1 à la perte de charge du serpentin du réservoir du chauffe-eau indirect (consultez le tableau 2 pour la perte de friction) pour obtenir la perte de charge totale.

- 3) Sélectionnez un circulateur qui fournira un débit suffisant à la perte de charge totale.

Une courbe de performance de la pompe devrait accompagner chaque circulateur. Les figures 3 à 5 illustrent les courbes de performance des circulateurs Taco et Grundfos, tous deux recommandés par Bock.

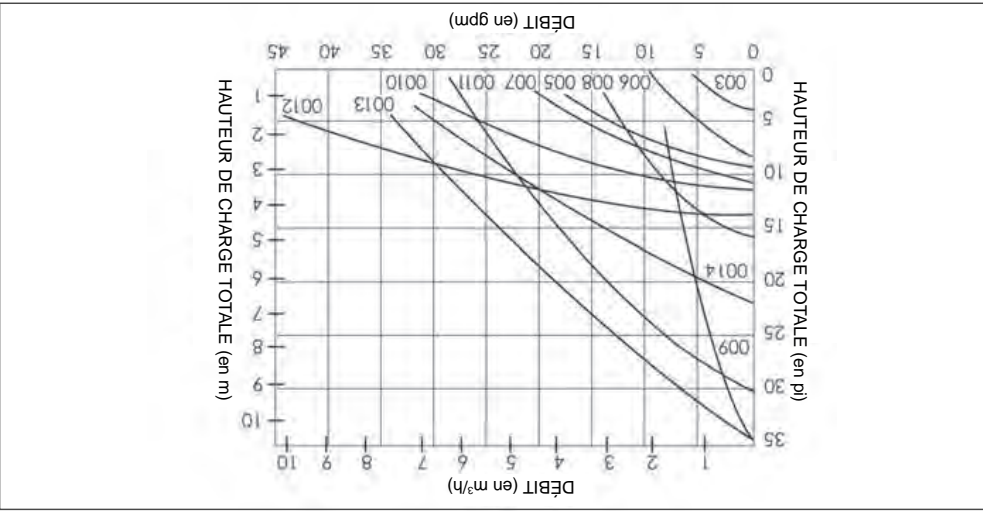


Figure 3 : Courbes de rendement de la série Taco 00

PARTIE II : GÉNÉRALITÉS (suite)

TIGES D'ANODE

La tige d'anode est utilisée à titre d'élément sacrificiel à l'intérieur du volume du réservoir de stockage. La tige d'anode de magnésium sert à protéger l'intérieur du réservoir contre la rouille. Les tiges d'anode devraient être inspectées deux fois la première année et au moins une fois chaque année une fois l'intervalle d'inspection déterminé. Les conditions de l'eau peuvent influencer le taux de consommation des tiges d'anode. Veuillez consulter le chapitre « Entretien » du présent manuel pour savoir comment changer les tiges d'anode de votre chauffe-eau Bock.

MISE EN GARDE: Une installation d'alimentation en eau chaude desservie par un chauffe-eau qui est demeuré inutilisé pour une longue période (deux semaines ou plus) dégage de l'hydrogène. L'hydrogène est un gaz extrêmement inflammable. Pour réduire les risques de blessures dans un tel contexte, il est recommandé d'ouvrir le robinet d'eau chaude de l'évier de cuisine, et de laisser l'eau couler pendant plusieurs minutes avant d'utiliser tout appareil électrique raccordé à l'installation d'alimentation en eau chaude. En présence d'hydrogène, vous entendrez probablement un son inhabituel, comme de l'air s'échappant d'un tuyau, lorsque l'eau commencera à couler. Vous ne devriez pas fumer ou allumer une flamme nue à proximité du robinet pendant qu'il est ouvert.

SOUAPE DE DÉCHARGE ET DE SÉCURITÉ THERMIQUE

La soupape de décharge et de sécurité thermique est installée en usine. Un tuyau d'évacuation doit être posé (l'installateur en est responsable) et son embout doit être uni et non fileté. Il doit être en outre installé à 15 cm (6 po) au-dessus du drain de plancher. Le tuyau de drainage doit être fait d'un matériau approuvé pour des températures égales ou supérieures à 49 °C (120 °F) et une pression égale ou supérieure à 150 PSI (10,34 kPa).

DISPOSITIF ANTI-REFOULEMENT (SYSTÈME EN BOUCLE FERMÉE)

Certains codes et ordonnances municipaux exigent l'emploi de ces dispositifs sur les conduites d'eau potable (domestiques). Là où des dispositifs anti-refoulement sont requis, il vous faudra installer un réservoir à dilatation thermique (conçu pour l'eau potable) afin de prévenir l'accumulation de pression dans le chauffe-eau et la tuyauterie qui s'y rattache, ce qui pourrait provoquer une décharge de sécurité thermique. Suivez les recommandations du fabricant du réservoir à dilatation lors de la sélection d'un réservoir pour votre installation d'alimentation en eau chaude.

Remarque : La pression de fonctionnement du chauffe-eau est de 1034 kPa (150 PSI). Ne dépassez jamais 1034 kPa.

PARTIE II : GÉNÉRALITÉS

EMPLACEMENT

Le chauffe-eau indirect devrait être placé dans un endroit central au réseau de tuyauterie, le plus près possible de la chaudière, et dans une zone qui n'est pas sujette aux températures de gel. Laissez suffisamment d'espace pour l'entretien et la réparation du chauffe-eau.

Remarque : Le chauffage de l'eau sur de longues périodes peut accroître les temps de récupération.

TRAITEMENT/FILTRATION DE L'EAU

Dans les zones où vous soupçonnez une eau de qualité médiocre (c.-à-d. contenant de la chaux, du fer, d'autres minéraux), il est essentiel de vérifier la qualité de l'eau et de prendre les mesures qui s'imposent pour prévenir les dommages au chauffe-eau et assurer la qualité de l'eau.

CONTRÔLE DE LA TEMPÉRATURE

La température de l'eau de la source de chaleur/chaudière jusqu'au chauffe-eau indirect est contrôlée par un aquastat d'immersion. Ce dispositif actionne le circulateur et contrôle, dans une certaine mesure, la température de l'eau chaude domestique. Le réglage approprié de température de l'eau chaude dans un contexte domestique est de 49 °C (120 °F). Si vous avez besoin d'une eau plus chaude, un dispositif de tempérage ou de mitigation doit être posé à la sortie d'eau chaude domestique du chauffe-eau ou au point d'utilisation.

MISE EN GARDE : Une eau de plus de 49 °C (120 °F) peut provoquer des brûlures!

Bock recommande qu'une vanne de tempérage ou de mitigation soit installée et utilisée conformément aux directives du fabricant afin de prévenir les ébouillantage. De nombreux codes locaux et étatiques (provinciaux) exigent maintenant l'installation de dispositifs de la sorte. La valve de tempérage ou de mitigation veillera à ce que la température de l'eau potable demeure à la valeur de réglage désirée avec une plus grande précision.

LIEN APPROXIMATIF ENTRE LA TEMPÉRATURE ET LA DURÉE D'EXPOSITION VIS-A-VIS DES ÉBOUILLANTAGES	
48,9 °C (120°F)	Plus de 5 minutes
51,7 °C (125°F)	1 minute et ½ à 2 minutes
54,4 °C (130°F)	Env. 30 secondes
57,2 °C (135°F)	Env. 10 secondes
60 °C (140°F)	Moins de 5 secondes
62,8 °C (145°F)	Moins de 3 secondes
65,6 °C (150°F)	Environ 1 sec. et ½
68,3 °C (155°F)	Environ 1 seconde

PARTIE I : SPÉCIFICATIONS (suite)

Tableau 2 : Capacité et performance

Modèle	Capacités							Performance			
	Volume réel du réservoir (en gal.)	Volume du serpentín (en gal.)	Cote de tirage (en gal.)*	Cote de tirage continu (en gal.)	Cote de premier tirage (en gal.)*	Puissance min. du serpentín (en btu/h)**	Cote de perte à vide (en °F/h)	Perte par frottement à la source de chaleur (en pi. C _F)	30SK	40SK	50SK
119SK	110	2,8	291	189	102	120 000	1,2	3,5	30	38	45
80SK	75	2,8	259	189	70	120 000	0,8	3,5	119	198	205
50SK	45	2,3	205	165	40	105 000	1,1	3,4	92	165	165
40SK	38	2,3	198	165	33	105 000	1,5	3,4	27	165	165
30SK	30	1,4	119	92	27	59 000	1,5	2,3	27	33	40

Remarques :

* En fonction d'une élévation de 25 °C (77 °F) de la température d'une arrivée d'eau potable à 14,4 °C (58 °F), à un débit de 14 gallons par minute à la source de chaleur. La température de la source de chaleur s'élevait à 82,2 °C (180 °F).

** La puissance minimale du serpentín est basée sur une utilisation continue de la fourniture pendant 30 minutes. Consultez la Partie III pour plus de détails.

Toutes les données ont été dérivées de tests effectués conformément à la norme GAMMA IWH-TS-1 DE MARS 2003 RELATIVE AUX TESTS EFFECTUÉS SUR LES CHAUFFE-EAU À CHAUFFAGE INDIRECT.

Tableau 3 : Performance (suite)

Modèle	COTE DE PREMIÈRE HEURE (gal) @ Puissance calorifique du serpentín (en Btu/h)						
	180 °F 8 GPM*	180 °F 10 GPM*	180 °F 12 GPM*	200 °F 8 GPM*	200 °F 10 GPM*	200 °F 12 GPM*	200 °F 14 GPM*
119SK	265 @ 104 000	277 @ 111 000	286 @ 117 000	309 @ 132 000	324 @ 141 000	336 @ 149 000	346 @ 155 000
80SK	233 @ 104 000	245 @ 111 000	254 @ 117 000	277 @ 132 000	292 @ 141 000	304 @ 149 000	314 @ 155 000
50SK	180 @ 89 000	190 @ 96 000	198 @ 101 000	221 @ 115 000	233 @ 123 000	242 @ 129 000	250 @ 134 000
40SK	173 @ 89 000	183 @ 96 000	191 @ 101 000	214 @ 115 000	226 @ 123 000	235 @ 129 000	243 @ 134 000
30SK	115 @ 56 000	117 @ 57 000	118 @ 58 000	138 @ 71 000	144 @ 75 000	149 @ 78 000	154 @ 81 000

REMARQUES :

Cote de première heure = Premier tirage + tirage continu

* Puissance calorifique du serpentín (température, débit). Cotes basées sur une élévation de 25 °C (77 °F) d'une arrivée d'eau à 14,4 °C (58 °F). Toutes les données ont été dérivées de tests effectués conformément à la norme GAMMA IWH-TS-1 DE MARS 2003 RELATIVE AUX TESTS EFFECTUÉS SUR LES CHAUFFE-EAU À CHAUFFAGE INDIRECT.

La mousse isolante est de série sur les modèles indirects. **Pression, tous les modèles :** Testez la pression; pression de service de 300 PSI Tension normale, tous : 120 V, 60 Hz, 1 P. **Soupape de décharge et de sécurité thermique installée;** marmelons fournis pour branchement en partie supérieure.

AVERTISSEMENT : L'installation devrait être effectuée conformément à l'ensemble des codes en vigueur à l'échelon national et (ou) local. **MISE EN GARDE :** La température recommandée pour un usage résidentiel typique est de 49 °C (120 °F). Bock recommande qu'une soupape de tempérage ou de mitigation soit installée et utilisée conformément aux directives du fabricant afin de prévenir les ébouillancements.

Tableau 1 : Dimensions

Modèle	A	B	C	D	E	F	G	H
119SK	28 po	65 po	57 ¾ po	33 ¾ po	16 ¼ po	8 ¾ po	5 po	6 ½ po
80SK	24 po	64 po	57 ½ po	33 po	19 ¼ po	8 po	5 po	5 po
50SK	22 po	48 ¼ po	39 ¾ po	31 ½ po	16 ¾ po	6 ½ po	4 ½ po	s.o.
40SK	22 po	42 ¼ po	34 ¾ po	31 ½ po	16 ¾ po	6 ½ po	4 ½ po	s.o.
30SK	22 po	35 ¼ po	27 ¾ po	19 ½ po	11 ¾ po	6 ½ po	4 ½ po	s.o.

Figure 1 : 30SK, 40SK, 50SK

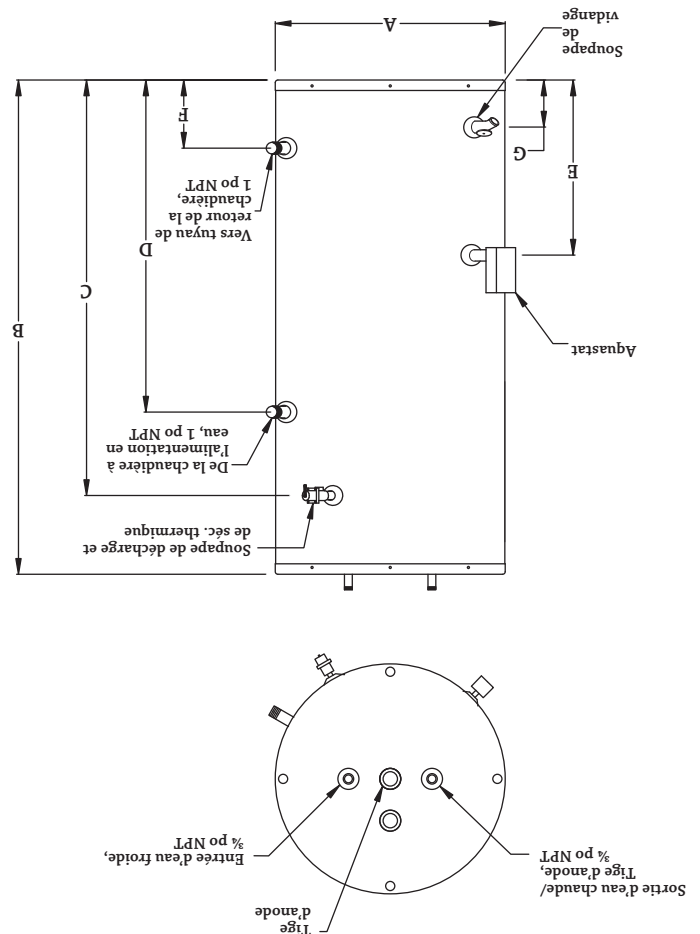
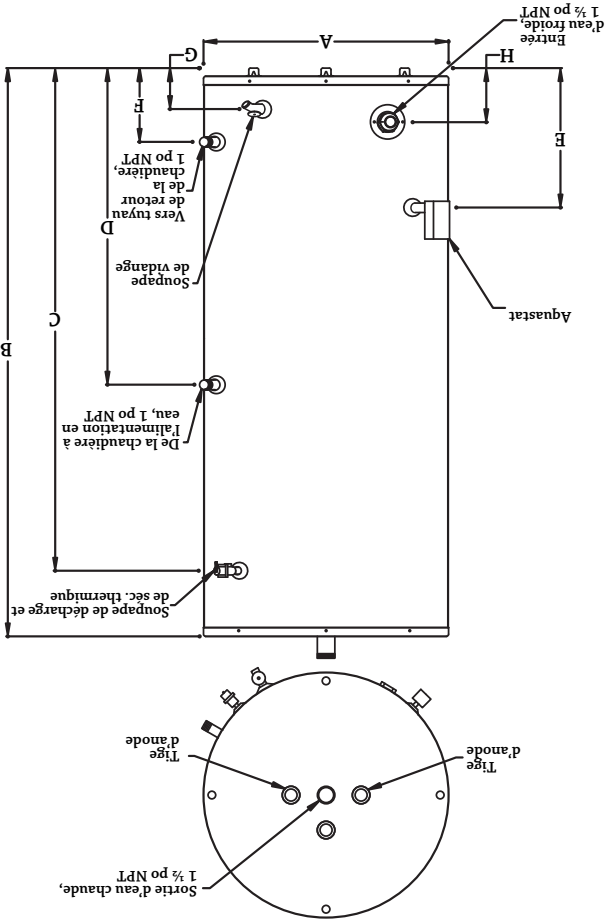


Figure 2 : 80SK, 119SK



PARTIE I : SPÉCIFICATIONS

WATER HEATERS



Partie I : Spécifications 3

Partie II : Généralités 5

Partie III : Avant l'installation 7

Partie IV : Installation 9

Partie V : Entretien 12

Partie VI : Dépannage 13

Partie VII : Liste des pièces 14

Partie VIII : Garantie 15

Au consommateur :
Veuillez lire et conserver les présentes ainsi que toutes les instructions concernant les composants pour consultation ultérieure.

À l'installateur :
Veuillez fixer ces instructions près du chauffe-eau.

Chauffe-eau indirect Manuel d'instructions

Garantie, fiche d'enregistrement et liste des pièces comprises. Propriétaire de maison : N'oubliez pas de nous renvoyer la fiche d'inscription!

RESPONSABILITÉS DE L'INSTALLATEUR

Veuillez lire toutes les instructions en détail avant d'installer ou mettre le chauffe-eau en service. Cet appareil doit être posé par des installateurs autorisés ou du personnel technique qui effectue la réparation et l'entretien de chauffe-eau. Installez l'appareil conformément à l'ensemble des codes et ordonnances locaux.

Ces directives constituent un guide pour l'installation appropriée du chauffe-eau. Le fabricant ne sera pas responsable des dommages causés par une installation et une utilisation non conformes aux directives figurant aux pages suivantes.

MISE EN GARDE

Le réglage recommandé de température de l'eau chaude pour un usage résidentiel typique est de 49 °C (120 °F).

MANIPULATION

Avant de dépaqueter l'appareil, vérifiez s'il a été endommagé durant l'expédition. Signalez tout dommage à votre entreprise de transport. Prenez en note les dommages sur le bon de connaissance ou le reçu de livraison, et présentez une réclamation.

LE FAT D'OMETTRE DE SE CONFORMER AUX PRÉSENTES DIRECTIVES OU À L'ENSEMBLE DES CODES DU BÂTIMENT OU DES RÉGLEMENTS DE LA CONSTRUCTION EN VIGUEUR AURA POUR EFFET D'ANNULER LA GARANTIE.

Veuillez lire toutes les instructions de façon détaillée avant d'installer ou de mettre le chauffe-eau en service. Conservez ces directives pour consultation ultérieure. Les codes de la plomberie et de l'électricité doivent être suivis lors de l'installation de ce chauffe-eau. En l'absence d'un code local, utilisez le UNIFORM PLUMBING CODE et le code NFPA. Les codes locaux peuvent remplacer les directives figurant aux présentes. Les présentes directives constituent un guide pour l'installation appropriée du chauffe-eau. Le fabricant ne sera pas responsable des dommages causés par une installation et une utilisation non conformes aux directives figurant aux pages suivantes.



Böck
WATER HEATERS

AVERTISSEMENT

L'installation, les ajustements, les modifications, les réparations ou l'entretien inadéquats peuvent causer de graves blessures corporelles ou des dommages matériels. Consultez le présent manuel. Pour de l'aide ou des renseignements supplémentaires, consultez un installateur ou un service de réparation et d'entretien qualifié.

MISE EN GARDE

Le réglage de température recommandé pour un usage résidentiel typique est de 49 °C (120 °F). La température indiquée par le cadran de l'aquastat ne correspond pas toujours à la température réelle de l'eau fournie, qui pourrait, à l'occasion, dépasser les 49 °C (120 °F). Les variations de la température de l'eau fournie peuvent être liées à certains facteurs dont notamment, mais non exclusivement, les habitudes d'utilisation et le type d'installation. Testez l'eau du robinet le plus près du chauffe-eau.

AVERTISSEMENT

L'eau brûlante accentue les risques de blessure par ébullitance. Avant de régler la température de l'eau, lisez le présent manuel d'instructions. Les températures pouvant entraîner des blessures varient selon l'âge et la durée d'exposition.

Les réflexes plus lents des enfants et des personnes âgées, aux prises avec des difficultés physiques ou encore ayant une déficience mentale augmentent les chances de ces derniers de s'ébouillanter. L'utilisation de températures moins élevées est recommandée dans un tel contexte. Lorsque de jeunes enfants ou des personnes handicapées sont présents, il est conseillé de régler la température à moins de 49 °C (120 °F) afin d'éviter tout contact accidentel avec l'eau brûlante.

Pour abaisser la température de l'eau, utilisez des dispositifs de limitation de la température aux points d'utilisation. **AVERTISSEMENT**
Les couvertures de chauffe-eau ne sont pas recommandées et annuleront la garantie.

LE PRÉSENT MANUEL A ÉTÉ PRÉPARÉ POUR VOUS FAMILIARISER AVEC L'INSTALLATION, L'UTILISATION ET L'ENTRETIEN DE VOTRE CHAUFFE-EAU ET VOUS FOURNIR D'IMPORTANTS RENSEIGNEMENTS SUR LA SÉCURITÉ.